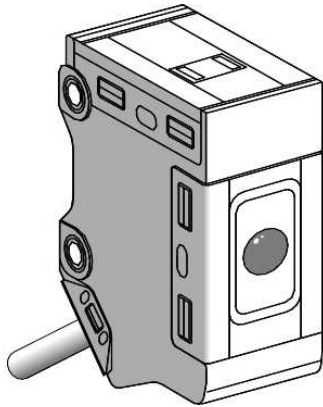


# XUM2BKCNL2T

photo-electric sensor - XUM - emitter - 12..24VDC - cable 2m



## Main

Range of product	OsiSense XU
Series name	Application assembly
Electronic sensor type	Photo-electric sensor transmitter
Sensor name	XUM
Sensor design	Miniature
Detection system	Thru beam
Material	Metal
Supply circuit type	DC
Electrical connection	Cable
Cable length	2 m
Product specific application	-
Emission	Infrared thru beam
[Sn] nominal sensing distance	15 m need a receiver

## Complementary

Enclosure material	Zamak and stainless steel
Lens material	Glass
Wire insulation material	PVC
Status LED	1 LED (green) for stability 1 LED (orange) for transmitter 1 LED (red/green) for receiver/supply on
[Us] rated supply voltage	12...24 V DC with reverse polarity protection
Supply voltage limits	10...30 V DC
Switching capacity in mA	<= 100 mA (overload and short-circuit protection)
Switching frequency	1000 Hz
Voltage drop	<= 3 V (closed state)
Current consumption	11 mA
Delay first up	<= 100 ms
Delay response	0.5 ms
Delay recovery	0.5 ms
Product weight	0.128 kg

## Environment

Product certifications	CE CTick CULus
Ambient air temperature for operation	-40...70 °C
Ambient air temperature for storage	-30...60 °C
Vibration resistance	+/- 1.5 mm (f = 10...55 Hz) 2 hours in each direction X, Y and Z conforming to IEC 60068-2-6
Shock resistance	500 m/s <sup>2</sup> (10 x in each direction X, Y and Z) conforming to IEC 60068-2-27
IP degree of protection	IP69 K conforming to DIN 40050 IP65 conforming to IEC 60529 IP67 conforming to IEC 60529

## Offer Sustainability

Sustainable offer status	Not Green Premium product
RoHS	Compliant - since 1152 - Schneider Electric declaration of conformity

