


Ordering number C11918_STRADA-T-6X1-DNW

| | | | |
|-----------------|------------------|-------------|--------------|
| Family | Strada-Module | FWHM | Asym degrees |
| Type | Lens array | Efficiency | 93 % |
| LED | LUXEON Rebel ES | cd/lm | 0.370 |
| Color | Clear | Gerber File | Available |
| Diameter | 119.8 x 25.2 mm | | |
| Height | 5.6 mm | | |
| Style | Rectang | | |
| Optic Material | PMMA | | |
| Holder Material | - | | |
| Fastening | Screw, pin, glue | | |
| Status | Ready | | |

Ordering number C12449_STRADA-T-6X1-DWC

| | | | |
|-----------------|------------------|-------------|--------------|
| Family | Strada-Module | FWHM | Asym degrees |
| Type | Lens array | Efficiency | 94 % |
| LED | LUXEON Rebel ES | cd/lm | 0.500 |
| Color | Clear | Gerber File | Available |
| Diameter | 119.8 x 25.2 mm | | |
| Height | 5.5 mm | | |
| Style | Rectang | | |
| Optic Material | PMMA | | |
| Holder Material | - | | |
| Fastening | Screw, pin, glue | | |
| Status | Ready | | |

NOTE: The typical divergence will be changed by different color, chip size and chip position tolerance. The typical total divergence is the full angle measured where the luminous intensity is half of the peak value.



PRODUCT DATASHEET Strada-Module series

last update 13/7/2012

PHILIPS
LUMILEDS

GENERAL INFORMATION

- Product series especially designed & optimized for LUXEON Rebel ES series of LEDs.
- Special care taken to make light distribution as uniform as possible.
- Lens material optical grade PMMA with high UV and temperature resistance. Allows use of high current and temperature conditions.

Please find more information about used material from below:

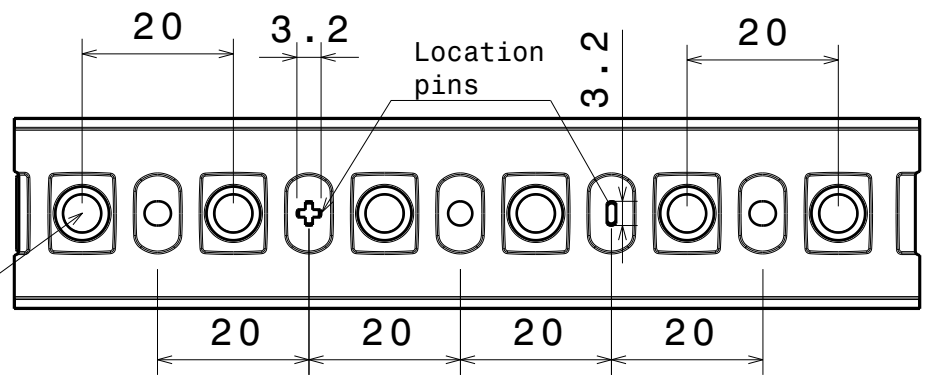
http://ledil.fi/sites/default/files/Documents/Technical/Material/PMMA%20N%20UL94_Yellow%20Card.pdf

<http://ledil.fi/sites/default/files/Documents/Technical/Material/PMMA%20N%20PLEXIGLAS-Datasheet.pdf>

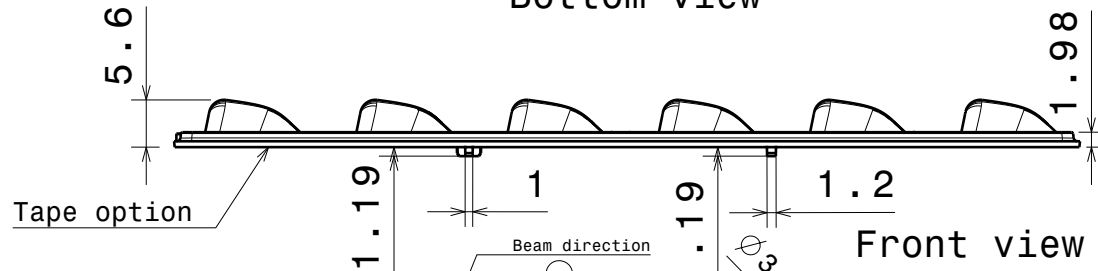
D C B A

4

LED in the center of the optic



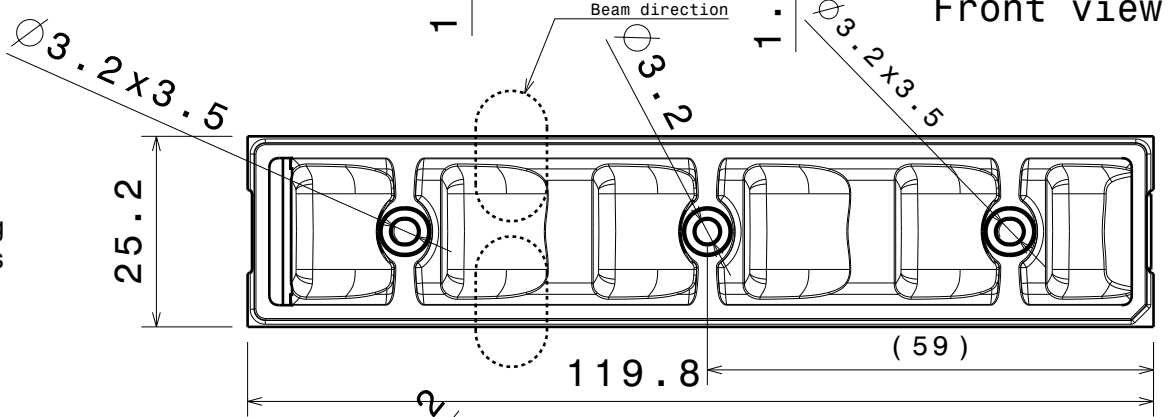
Bottom view



Front view

3

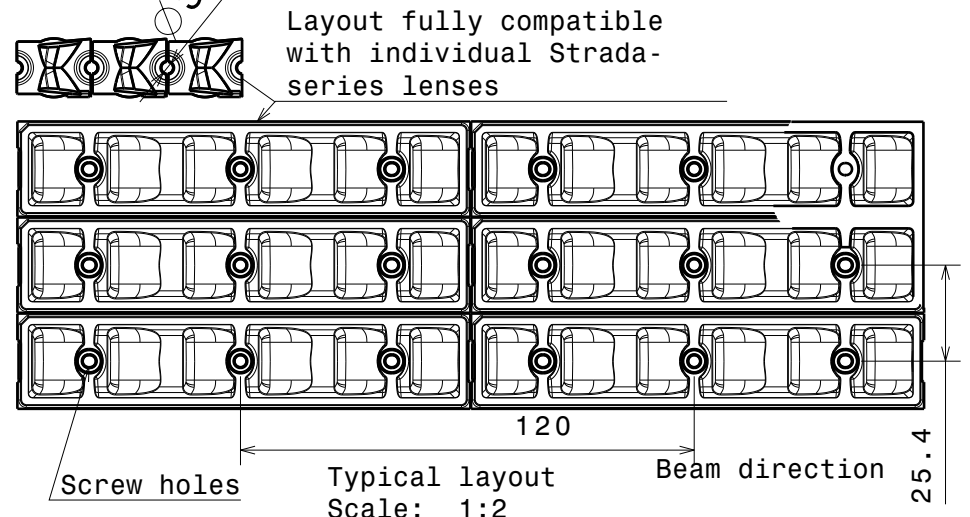
Note, Ledil Oy won't provide tape or sealing plates for this product.



2

Materials:
Lens PMMA

Tolerances for dimensions:
0-20mm tolerance value $\pm 0.1\text{mm}$
21-45mm tolerance value $\pm 0.2\text{mm}$
46-90mm tolerance value $\pm 0.3\text{mm}$
91-100mm tolerance value $\pm 0.4\text{mm}$
101-mm tolerance value $\pm 0.5\text{mm}$



Typical layout
Scale: 1:2

This drawing is our property. It can't be reproduced or communicated without our written agreement.



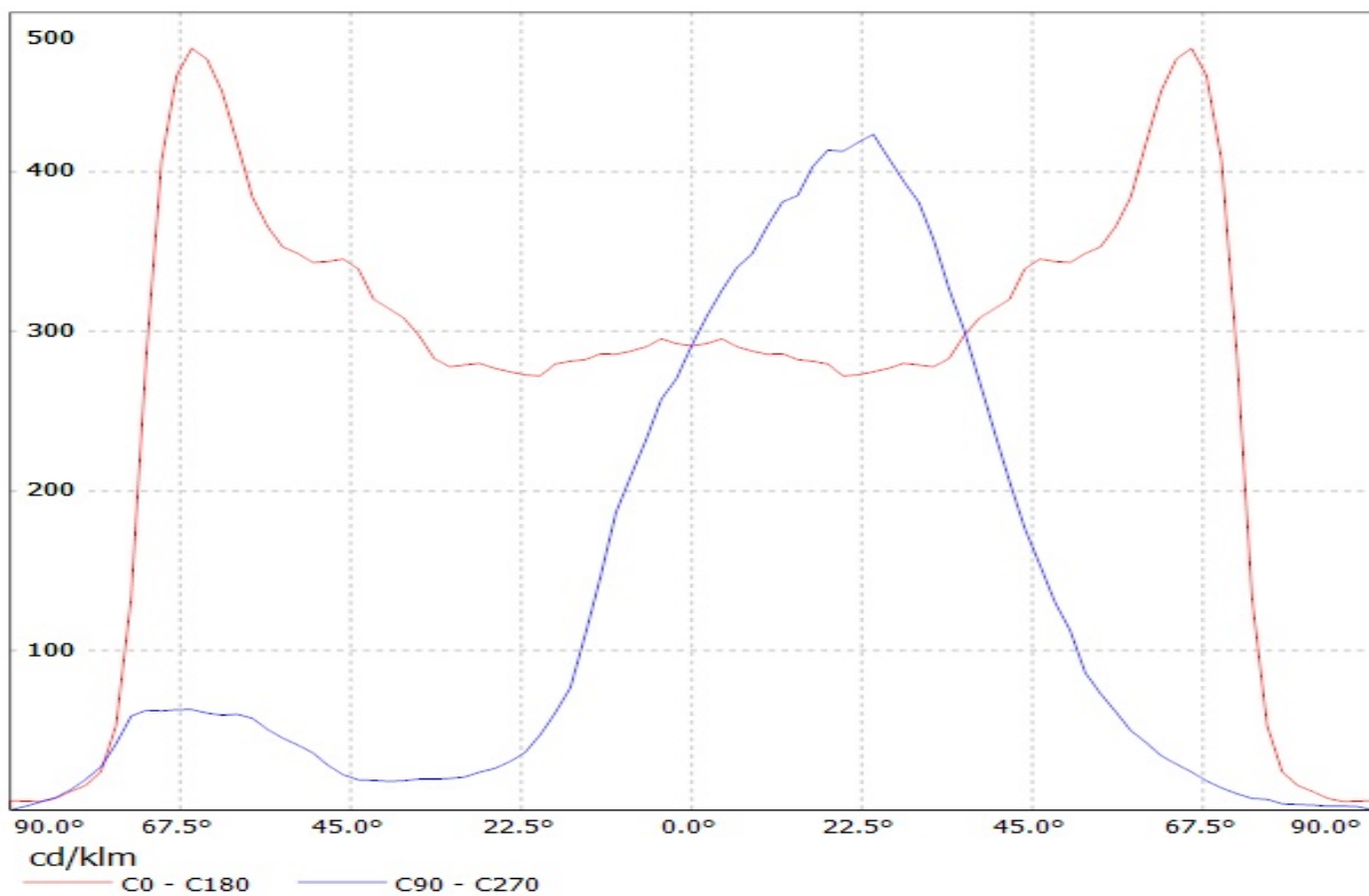
Ledil Oy
Salorankatu 10
FIN-24100 SALO
Finland

1

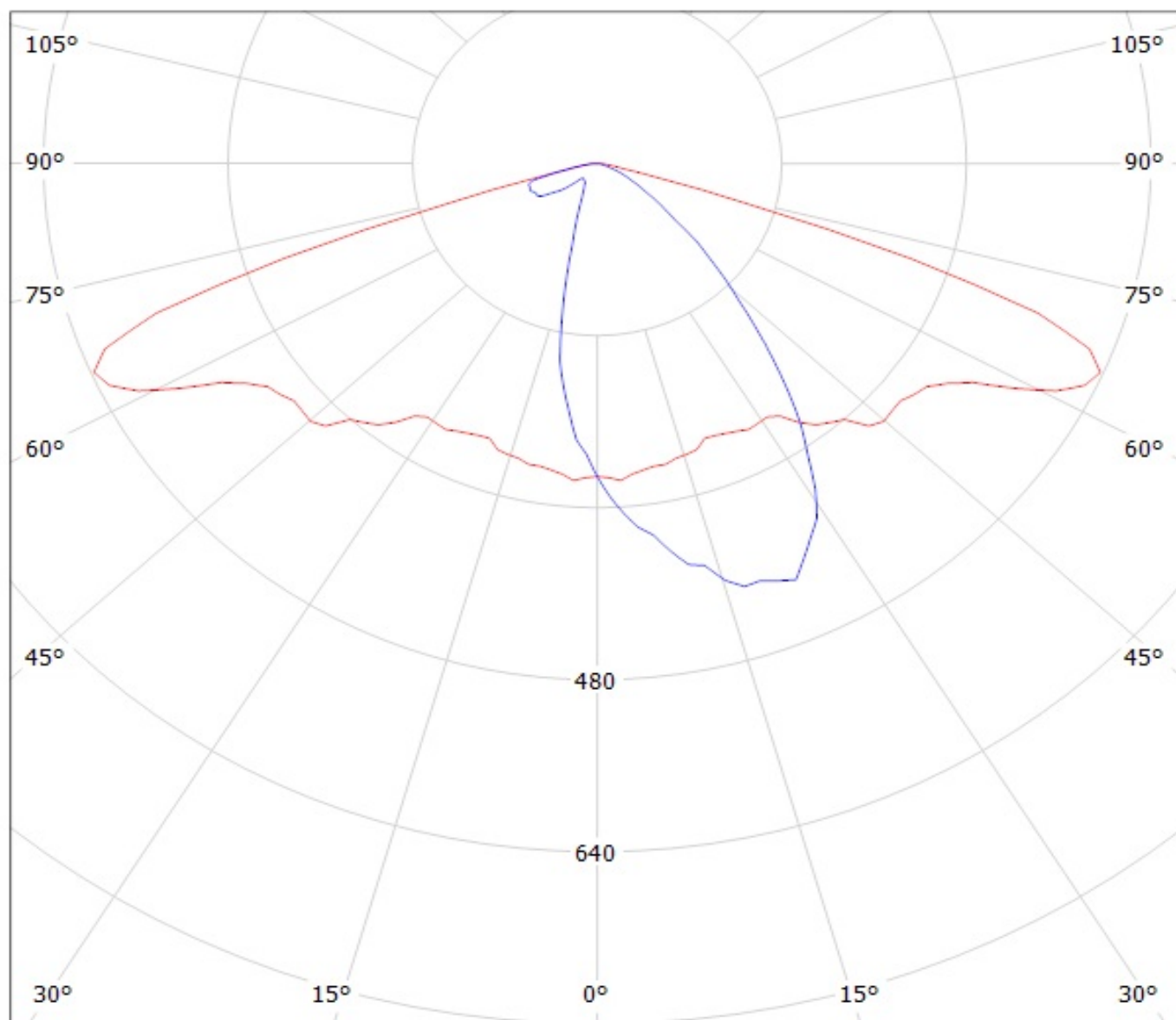
| | | | | | | | |
|-------------------|--|--------------------|--|---|---------------------------------|---------------------|-----------------|
| DRAWN BY pv | | DATE 1.11.2012 | | DRAWING TITLE Datasheet Strada-T-6x1-DNW Lens | | | |
| CHECKED BY jl | | DATE 1.11.2012 | | SIZE A4 | DRAWING NUMBER C11918 | | REV 6 |
| DESIGNED BY hh | | DATE 02.12.2010 | | SCALE 2:1 | WEIGHT (g) | SHEET 1/1 | |

D A

Luminaire: Ledil Oy C12449_STRADA-T-6X1-DWC (Luxeon Rebel-ES 515lm @ 250mA) Efficiency=94%
Lamps: 1 x Luxeon Rebel-ES 515lm @ 250mA



Luminaire: Ledil Oy C12449_STRADA-T-6X1-DWC (Luxeon Rebel-ES 515lm @ 250mA) Efficiency=94%
Lamps: 1 x Luxeon Rebel-ES 515lm @ 250mA



cd/klm

— C0 - C180

— C90 - C270