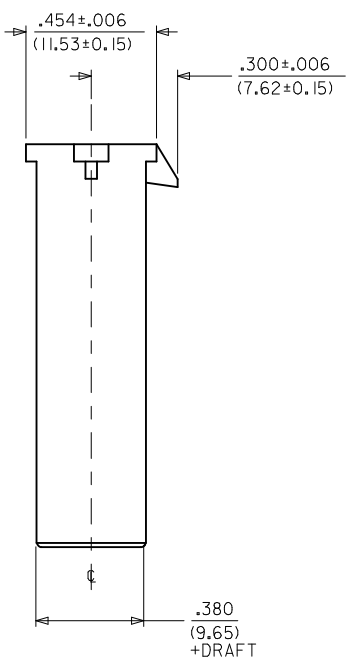
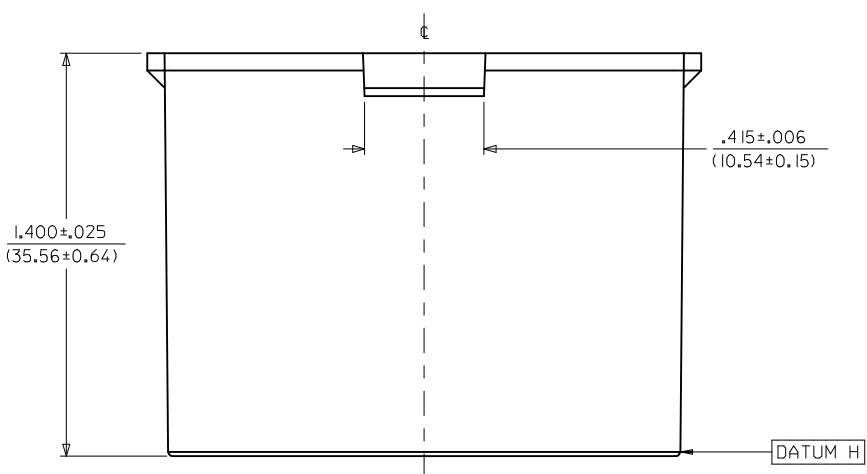
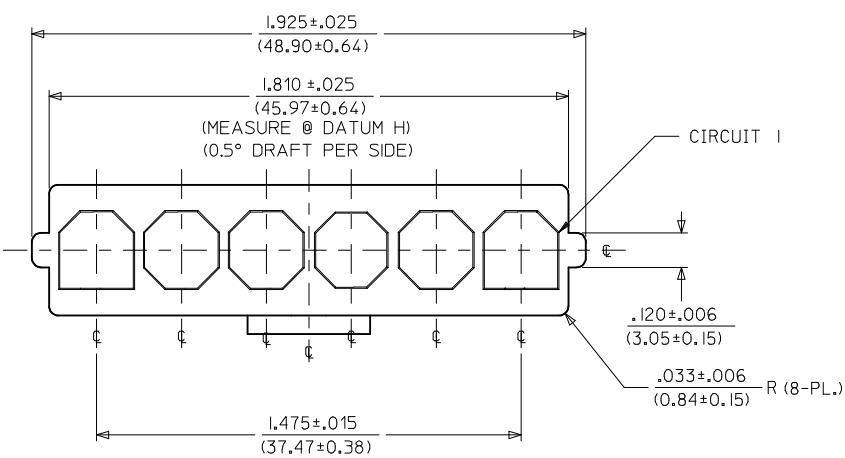


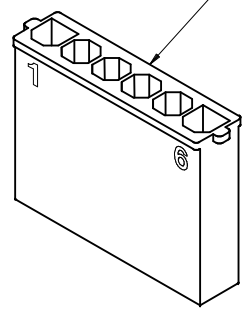
ITEM NUMBER	MATERIAL	COLOR
43680-2006	UL94V-0 NYLON	BLACK
43680-1006	UL94V-2 NYLON	NATURAL (TRANSLUCENT)
43680-3006	UL94V-2 NYLON, IEC 60335-1 GLOW WIRE CAPABLE	BLACK

NOTE:

1. MATERIAL: SEE CHART.
2. FINISH: NONE.
3. PRODUCT SPECIFICATION: PS-44441-9999.
4. PACKAGING: PK-43680-001.
5. THIS CONNECTOR HOUSING FOR USE WITH 43178-**** TERMINALS.
6. THIS CONNECTOR HOUSING WILL MATE TO 43335-***6, 43179-***6 AND 44441-***6 HOUSINGS.
7. PARTS CONFORM TO CLASS B REQUIREMENTS OF COSMETIC SPEC PS-45499-002.
- SOME PARTS MAY HAVE A BLEMISH NEAR THE GATE THAT DOES NOT AFFECT FUNCTIONALITY.



LOCKING NUB IS LOCATED HERE



GATE BLEMISH IEC NO: UCP2015-2359 DRWN: DFOX 2015/01/06 CHKD: BANDERSON 2015/01/06 APPR: FSMITH 2015/01/09	QUALITY SYMBOLS ▽=0 ▽=0 ▽=0	GENERAL TOLERANCES (UNLESS SPECIFIED)		DIMENSION STYLE IN/MM		SCALE 4:1	DESIGN UNITS INCH	THIRD ANGLE PROJECTION	
		4 PLACES ± --- ± ---	mm	INCH	DRAWN BY CM	DATE 03/22/96	TITLE 6-CIR. PLUG HOUSING .125/(3.18)X.020/(0.51) SABRE - TPA molex DOCUMENT NO. SD-43680-*006 SHEET NO. 1 OF 1		
		3 PLACES ± --- ± .010	± .010	± .010	CHECKED BY KBP	DATE 03/22/96			
		2 PLACES ± 0.25 ± .014	± 0.25	± .014	APPROVED BY FSMITH	DATE 2015/01/09			
1 PLACE ± 0.35 ± ---	± 0.35	± ---	MATERIAL NO. SEE CHART						
0 PLACE ± --- ± ---	± ---	± ---	ANGULAR ±1/2°		DRAFT WHERE APPLICABLE MUST REMAIN WITHIN DIMENSIONS		THIS DRAWING CONTAINS INFORMATION THAT IS PROPRIETARY TO MOLEX INCORPORATED AND SHOULD NOT BE USED WITHOUT WRITTEN PERMISSION		