

**ebm-papst St. Georgen GmbH & Co. KG**

Hermann-Papst-Str. 1  
 D-78112 St. Georgen  
 Phone +49 (0) 7724 81-0  
 Fax +49 (0) 7724 81-1309  
 info2@de.ebmpapst.com  
 www.ebmpapst.com

**Nominal data**

| Type                     | 3212 JH           |         |
|--------------------------|-------------------|---------|
| Nominal voltage          | VDC               | 12      |
| Nominal voltage range    | VDC               | 7 .. 15 |
| Speed                    | min <sup>-1</sup> | 6800    |
| Power input              | W                 | 9       |
| Min. ambient temperature | °C                | -20     |
| Max. ambient temperature | °C                | 70      |
| Air flow                 | m <sup>3</sup> /h | 146     |
| Sound power level        | B                 | 6.4     |
| Sound pressure level     | dB(A)             | 55      |

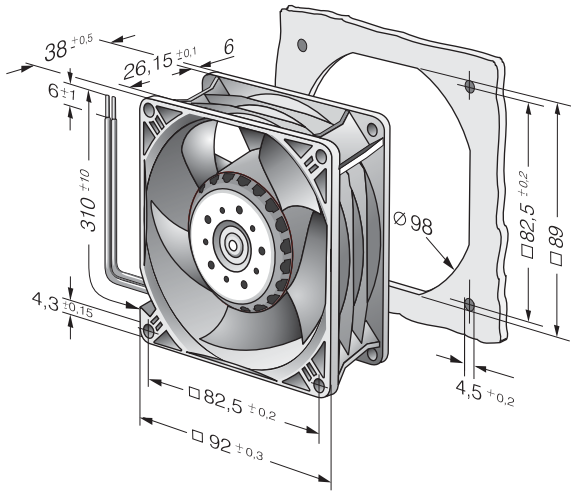
ml = Max. load · me = Max. efficiency · fa = Running at free air · cs = Customer specs · cu = Customer unit  
 Subject to alterations



**Technical features**

|  |   |
|--|---|
| <b>General description</b>                 | * Free air power consumption, these values may be considerably higher at the operating point. |
| <b>Housing material</b>                    | Fibreglass-reinforced plastic (PBT)   |
| <b>Impeller material</b>                   | Fibreglass-reinforced plastic (PA)  |
| <b>Mass</b>                                | 0.240 kg  |
| <b>Dimensions</b>                          | 92 x 92 x 38 mm   |
| <b>Direction of air flow</b>               | Air exhaust over bars   |
| <b>Direction of rotation</b>               | Clockwise, looking at rotor   |
| <b>Bearing</b>                             | Ball bearings   |
| <b>Lifetime L10 at 40 °C</b>               | 70000 h   |
| <b>Lifetime L10 at maximum temperature</b> | 35000 h   |
| <b>Connection line</b>                     | Single strands AWG 24, TR 64, bared and tin-plated.   |
| <b>Motor protection</b>                    | Protected against reverse polarity and locking.   |
| <b>Approval</b>                            | VDE, CSA, UL  |

## Product drawing



## Charts: Air flow

