


Ordering number C12086
Description 1

Family Strada-Forward
 Type Lens
 LED LUXEON Rebel
 Color Clear
 Diameter 15.4 x 19.6 mm
 Height 10.66 mm
 Style Rectang
 Optic Material PMMA
 Holder Material -
 Fastening -
 Status Ready

FWHM Asym degrees
 Efficiency 92 %
 cd/lm -
 Gerber File Available

http://www.ledil.fi/Strada-F_Fully_Asymmetrical_Forward_Thro

Ordering number CA12087
Description 1

Family Strada-Forward
 Type Assembly
 LED LUXEON Rebel
 Color Clear
 Diameter 15.4 x 19.6 mm
 Height 10.8 mm
 Style Rectang
 Optic Material PMMA
 Holder Material -
 Fastening -
 Status Ready

FWHM Asym degrees
 Efficiency 92 %
 cd/lm -
 Gerber File Available

http://www.ledil.fi/Strada-F_Fully_Asymmetrical_Forward_Thro



PRODUCT DATASHEET

Strada-Forward series

last update 11/4/2012

PHILIPS
LUMILEDS

NOTE: The typical divergence will be changed by different color, chip size and chip position tolerance. The typical total divergence is the full angle measured where the luminous intensity is half of the peak value.

D

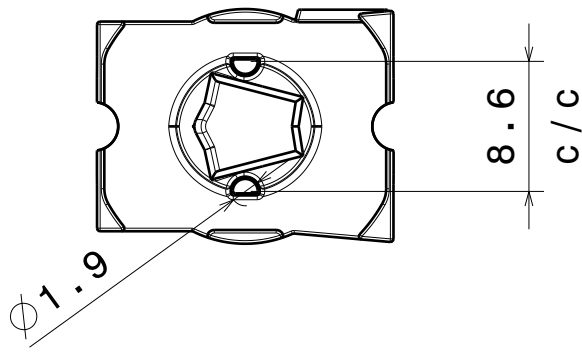
C

B

A

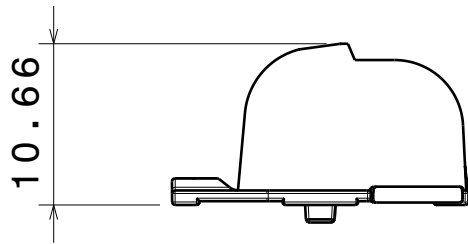
4

4



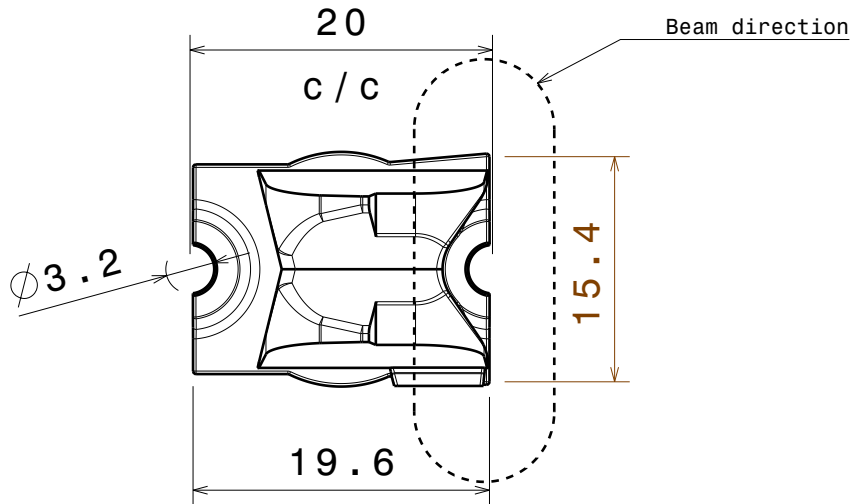
3

3



2

2



MATERIALS
Lens: PMMA

This drawing is our property.
It can't be reproduced
or communicated without
our written agreement.



Ledil Oy
Salorankatu 10
24240 SALO
Finland

DRAWING TITLE

Datasheet Strada-FW lens

DRAWN BY

ah

DATE

6.7.2012

CHECKED BY

ah

DATE

6.7.2012

DESIGNED BY

hh

DATE

22.8.2011

SIZE

A4

DRAWING NUMBER

C12086

REV

2

SCALE

2:1

WEIGHT (g)

SHEET

1/1

D

A

1

1