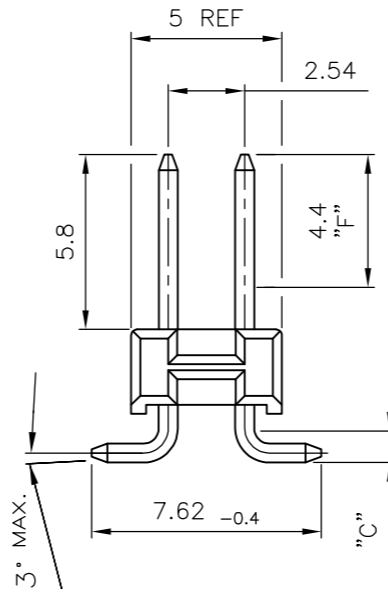
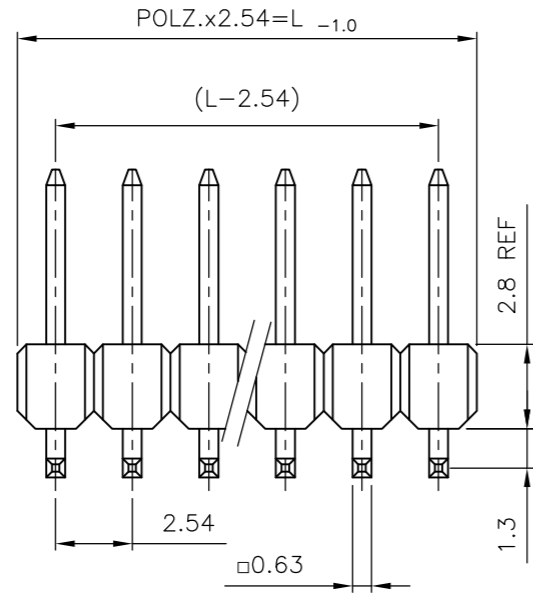


THIS DRAWING IS UNPUBLISHED RELEASED FOR PUBLICATION APR , 1995.

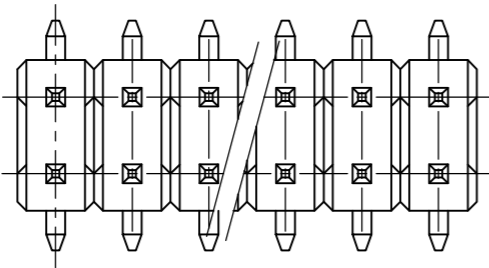
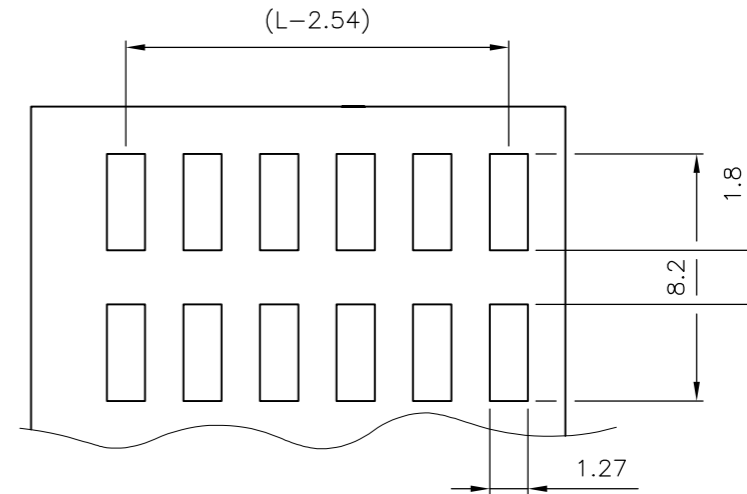
© COPYRIGHT 2010 By - ALL RIGHTS RESERVED.

| LOC | DIST | REVISIONS | | | | | |
|-----|------|-----------|-----|---|-----------|-----|------|
| | | P | LTR | DESCRIPTION | DATE | DWN | APVD |
| IR | - | | | | | | |
| | | E4 | | 1. REMOVAL OF 966709* IN SHEET 1. 2. PART STATUS CORRECTED TO OBSOLETE FOR 966269-2, 966269-7 IN SHEET 2. 3. ADDITION OF PRODUCT SPEC IN TITLE BLOCK. | 03SEP2013 | SMT | RP |

| Pos. | L _{-1.0} |
|------|-------------------|
| 2 | 5,08 |
| 3 | 7,62 |
| 4 | 10,16 |
| 5 | 12,7 |
| 6 | 15,24 |
| 7 | 17,78 |
| 8 | 20,32 |
| 9 | 22,86 |
| 10 | 25,4 |
| 11 | 27,94 |
| 12 | 30,48 |
| 13 | 33,02 |
| 14 | 35,56 |
| 15 | 38,1 |
| 16 | 40,64 |
| 17 | 43,18 |




EMPFOHLENES LEITERPLATTEN LAYOUT
RECOMMENDED PCB-LAYOUT



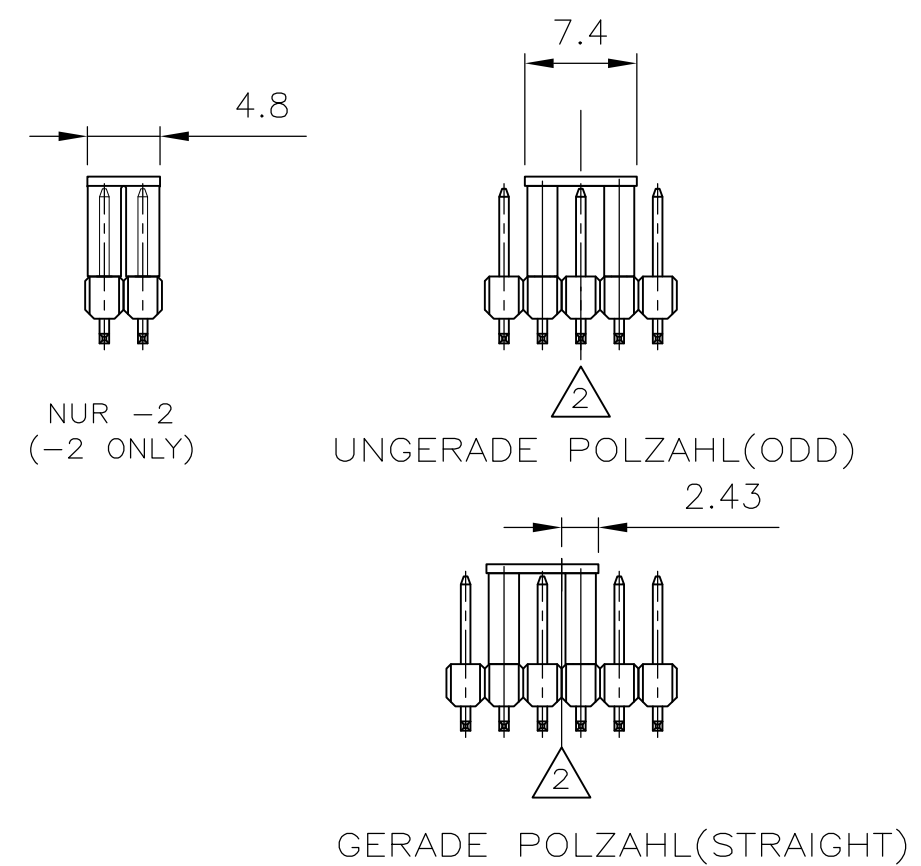
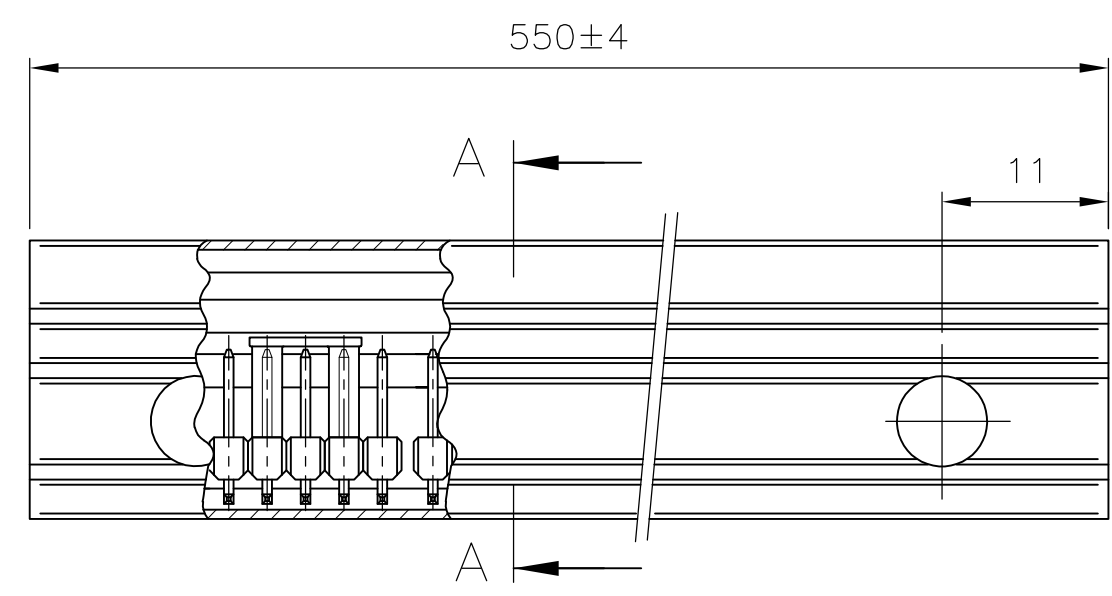
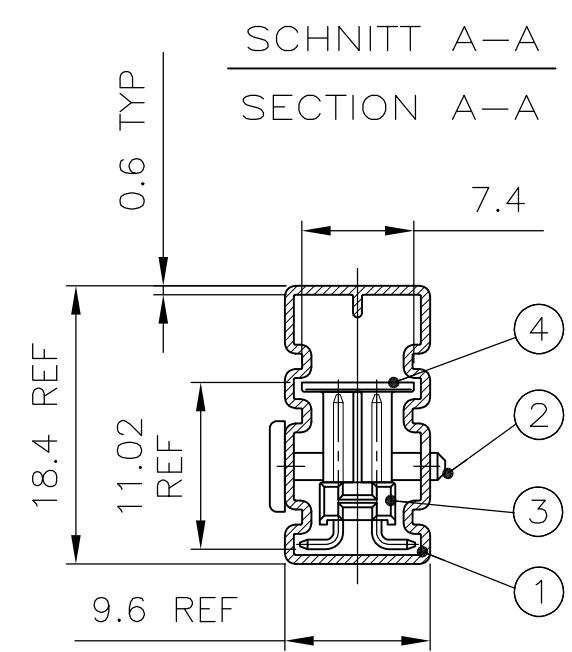
1 MATING SIDE: WITHIN THE RANGE "F" 0.8µm GOLD OVER 1.27µm NI
 SOLDER SIDE: WITHIN THE RANGE "C" MIN. 2.5µm TIN OVER 1.27µm NI
 STECKSEITE: IM BEREICH "F" 0.8µm GOLD ÜBER 1.27µm Ni
 LÖTSEITE: IM BEREICH "C" MIN. 2.5µm ZINN ÜBER 1.27µm Ni

| | | | |
|--|-----------------------|---------------------------------------|-------|
| KONTAKTSTIFT / CONTACT PIN | Cu Sn | 1 | 2 |
| STIFTGEHÄUSE / PIN HOUSING | PCT-GV | SCHWARZ / BLACK | 1 |
| BENENNUNG EINZELTEIL PART DESCRIPTION | WERKSTOFF MATERIAL | OBERFLÄCHE / FARBE SURFACE / COLOR | SI No |

| | | | | | | | | | | | | | | | | | | |
|--|-----|------------------------------------|---|-------|-----------|-------|-----|-------|-----|-------|-----|--------|-----|---------------------------|------|-----------|------------|---------------|
| THIS DRAWING IS A CONTROLLED DOCUMENT. | | DWN A.HO 23.03.95 |  TE Connectivity | | | | | | | | | | | | | | | |
| DIMENSIONS: mm | | CHK M.SCHAARSCHMIDT 23.03.95 | | | | | | | | | | | | | | | | |
| TOLERANCES UNLESS OTHERWISE SPECIFIED: TOL ± 0.2 | | APVD - | NAME AMPMODU II PIN HEADER , SMD, PACKED IN TUBE | | | | | | | | | | | | | | | |
| <table border="1"> <tr><td>0 PLC</td><td>± -</td></tr> <tr><td>1 PLC</td><td>± -</td></tr> <tr><td>2 PLC</td><td>± -</td></tr> <tr><td>3 PLC</td><td>± -</td></tr> <tr><td>4 PLC</td><td>± -</td></tr> <tr><td>ANGLES</td><td>± -</td></tr> </table> | | 0 PLC | ± - | 1 PLC | ± - | 2 PLC | ± - | 3 PLC | ± - | 4 PLC | ± - | ANGLES | ± - | PRODUCT SPEC 108-18012 | SIZE | CAGE CODE | DRAWING NO | RESTRICTED TO |
| 0 PLC | ± - | | | | | | | | | | | | | | | | | |
| 1 PLC | ± - | | | | | | | | | | | | | | | | | |
| 2 PLC | ± - | | | | | | | | | | | | | | | | | |
| 3 PLC | ± - | | | | | | | | | | | | | | | | | |
| 4 PLC | ± - | | | | | | | | | | | | | | | | | |
| ANGLES | ± - | | | | | | | | | | | | | | | | | |
| MATERIAL SEE TABLE | | FINISH SEE TABLE | A300779 | | C-966269 | - | | | | | | | | | | | | |
| CUSTOMER DRAWING | | SCALE 2:1 | SHEET 1 OF 2 | | REV E4 | | | | | | | | | | | | | |

THIS DRAWING IS UNPUBLISHED
 RELEASED FOR PUBLICATION APR , 1995.
 © COPYRIGHT 2010 By - ALL RIGHTS RESERVED.

| LOC | DIST | REVISIONS | | | | | |
|-----|------|-----------|-----|-------------|------|-----|------|
| IR | - | P | LTR | DESCRIPTION | DATE | DWN | APVD |
| | | - | | SEE SHEET 1 | - | - | - |



- OBSOLETE PARTS: OBSOLETE CIS STREAMLINING PER D.RENAUD/D.SINISI
- OBSOLETE
- SIEHE TABELLE / SEE TABLE
- MITTELLINIE DER STIFTLAISTE / CENTER LINE OF THE PIN ROW
- AMPMODU II SMD-STIFTLAISTE SIEHE BLATT 1 VON 2. / AMPMODU II SMD-PIN ROW SEE SHEET 1 OF 2.

| 1-966 269-0 | 10 | 20 | |
|------------------------|--------------------------------|------------------------------------|----------|
| 966 269-9 | 9 | 23 | OBSOLETE |
| 966 269-8 | 8 | 25 | |
| 966 269-7 | 7 | 29 | |
| 966 269-6 | 6 | 34 | |
| 966 269-5 | 5 | 41 | |
| 966 269-4 | 4 | 51 | |
| 966 269-3 | 3 | 69 | |
| 966 269-2 | 2 | 108 | |
| BESTELL-NR. / PART NO. | POLZ. PROREIHE / POLZ. PER ROW | VERPACKUNGS-EINHEIT / PACKING UNIT | |

| S.TABELLE SEE TABLE | 4 | | ADAPTER | PCT-GV | SCHWARZ / BLACK | 4 |
|------------------------|------|---------------|---|--------------------|--------------------------------------|-------|
| | 3 | | AMPMODU II STIFTL., SMD | | | 3 |
| | 2 | 2 | VERSCHL. STIFT / LOCKS PIN | PP | ROT | 2 |
| | 1 | 1 | VERPACKUNGSROHR / PACKING PIPE | ANTI-STATISCH | TRANSPAR. | 1 |
| BESTELL-NR. / PN | POS. | STÜCK / PIECE | BENENNUNG EINZELTEIL / PART DESCRIPTION | WERKSTOFF MATERIAL | OBERFLÄCHE / FARBE / SURFACE / COLOR | SI No |

THIS DRAWING IS A CONTROLLED DOCUMENT.

| | | | |
|--------------------|--|------------------------------|--|
| DIMENSIONS: mm | TOLERANCES UNLESS OTHERWISE SPECIFIED: TOL ± 0.2 | DWN A.HO 23.03.95 | TE Connectivity |
| | | CHK M.SCHAARSCHMIDT 23.03.95 | |
| | | APVD - | |
| | | PRODUCT SPEC 108-18012 | |
| MATERIAL SEE TABLE | FINISH SEE TABLE | APVD - | NAME AMPMODU II PIN HEADER , SMD, PACKED IN TUBE |
| | | APPLICATION SPEC - | SIZE A3 |
| | | WEIGHT - | CAGE CODE 00779 |
| | | CUSTOMER DRAWING | DRAWING NO C-966269 |
| | | | RESTRICTED TO - |
| | | | SCALE 2:1 |
| | | | SHEET 2 OF 2 |
| | | | REV E4 |