

BOS 502



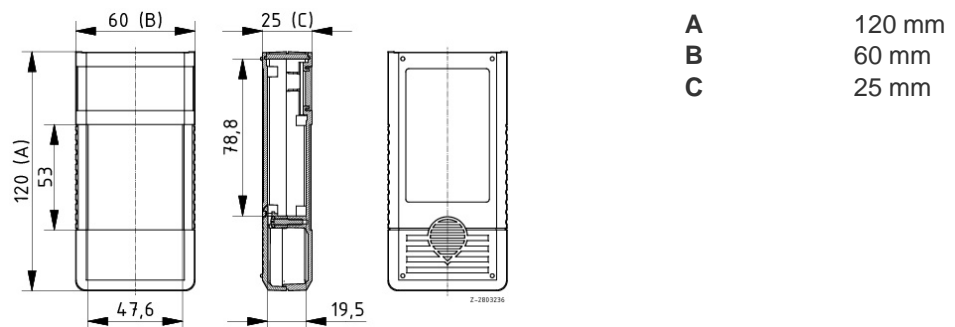
BOS 500 / 501 / 502 / 503

BOS 502 without display cut-out, with compartment for 9V block battery

Order no.: 34502000

Colour	Black
Colour of enclosure group	Depending on the model: black, similar to RAL 9005, or agate grey, similar to RAL 7038; special colours on request
Protection class	Depending on the model: IP 40 / IP 65/DIN EN 60529
Enclosure material	ABS, seal made of CR; for details see Technical Information

Scope of delivery: Lid, base, front panel, battery compartment lid, screws



Technical drawings	3D product data in STEP format: Registration necessary Basic drawing for processing work: 34502000_BOS-502-G.dxf (619 KB) Catalogue drawing in DXF format: 34502000_BOS-502.dxf (737 KB) Catalogue drawing in PDF format: 34502000_BOS-502.pdf (68 KB)
---------------------------	---------------------------------------------------------------------------------------------------------------------------------------------------------------------------------------------------------------------------------------------------------------------------------------------------------------------------------------------

Chapter download	BOS_GB.pdf (746 KB)
-------------------------	-------------------------------------

* = Available on request