

IEC Appliance Inlet C6 with Line Switch 1- or 2-pole



Snap-In Version



Description

- Panel Mount:
Snap-in version, from front side
- Appliance Inlet, Pin temperature 70 °C, Protection class I,
- Line Switch 1- or 2-pole
- Solder terminals or quick connect terminals

Approvals

- VDE Certificate Number: 40002273
- CSA File Number: 1020538

Characteristics

- Line switch non-illuminated or illuminated

Weblinks

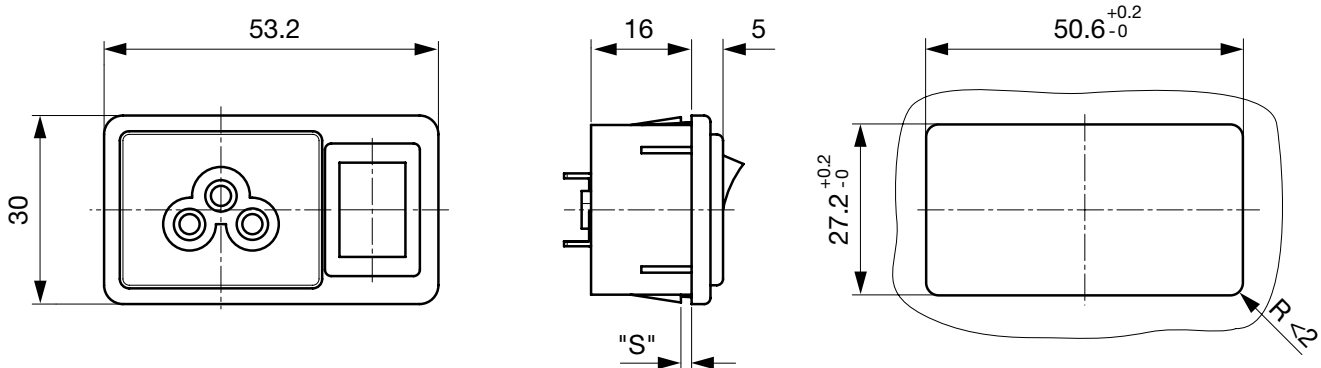
[pdf-datasheet](#), [html-datasheet](#), [General Product Information](#), [Approvals](#), [CE declaration of conformity](#), [RoHS](#), [CHINA-RoHS](#), [REACH](#), [Mating Connectors](#), [e-Shop](#), [SCHURTER-Stock-Check](#), [Distributor-Stock-Check](#), [CAD-Drawings](#), [Accessories](#), [Detailed request for product](#)

Technical Data

Ratings IEC	2.5 A / 250 VAC; 50 Hz
Ratings UL/CSA	2.5 A / 250 VAC; 60 Hz
Dielectric Strength	> 2.5 kVAC between L-N > 3 kVAC between L/N-PE (1 min/50 Hz)
Allowable Operation Temp.	-25 °C to 70 °C
Degree of Protection	from front side IP 20 acc. to IEC 60529
Protection Class	Suitable for appliances with protection class I acc. to IEC 61140
Terminal	Solder terminals or quick connect terminals
Panel Thickness s	Snap-in: 1/1.5/2/2.5/3 mm
Material: Housing	PA6, black, UL 94V-0

Appliance Inlet	C6 acc. to IEC 60320 UL 498, CSA C22.2 no. 42 (for cold conditions) pin-temperature 70 °C, 2.5 A, Protection Class I
Line Switch	Rocker switch 1 or 2 pole, non-illuminated or illuminated, acc. to IEC 61058-1 Technical Details

Dimensions



Length of the terminal please find at the order code configuration table

Dimension "S" please ref. to table order code

Config. Code




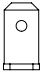
2565 - H - A B C N - D - E G P

The characters are placeholders for the correspondingly keys of selections from the key tables.

2565 - H - A B C N - D - E G P = Type

Type	Configuration key
combination frame	K

2565 - H - A B C N - D - E G P = Terminals

Terminal L	Configuration key
short solder terminal (L = 4.8 mm) 	2
long solder terminal (L = 8.5 mm) 	3
Blade terminal (2.8 x 0.8 mm) 	7
Blade terminal (4.8 x 0.8 mm) 	8

2565 - H - A B C N - D - E G P = Terminals

Terminal N	Configuration key
short solder terminal (L = 4.8 mm)	2
long solder terminal (L = 8.5 mm)	3
Blade terminal (2.8 x 0.8 mm)	7
Blade terminal (4.8 x 0.8 mm)	8

Symbols similar as in table A

2565 - H - A B C N - D - E G P = Terminals

Terminal Ground	Configuration key
short solder terminal (L = 4.8 mm)	2
long solder terminal (L = 8.5 mm)	3
Blade terminal (2.8 x 0.8 mm)	7
Blade terminal (4.8 x 0.8 mm)	8

Symbols similar as in table A

2565 - H - A B C N - D - E G P = Terminal Fuseholder

Terminal Fuseholder	Configuration key
no fuseholder	0

2565 - H - A B C N - D - E G P = Color

Color	Configuration key
Black	A

2565 - H - A B C N - D - E G P = Style

Style	Configuration key
snap-in (s=panel thickness)	4

2565 - H - A B C N - D - E G P = Mass S

Mass "s"	Configuration key
10	
15	
20	
25	
30	

The dimension "S" is displayed in ($1/_{10}$ mm). This information is also valid for the order code

2565 - H - A B C N - D - E G P = Switches

Switches	Configuration key
unipolar switch, 4,8mm blade terminal, black rocker	2
unipolar switch, solder terminal, black rocker	3
bipolar switch, 4,8mm blade terminal, black rocker	4
bipolar switch, solder terminals, black rocker	5
bipolar switch, 4,8mm blade terminal, rocker red illuminated	6
bipolar switch, solder terminal, rocker red illuminated	7
bipolar switch, 4,8mm blade terminals, rocker green illuminated	8
bipolar switch, solder terminals, rocker green illuminated	9

All Variants

Config. Code	Description	Order Number
2565-K-2220-A-4155	2565, IEC Power Entry Module C6, 70°C, , version: I, L: short solder terminal (L = 4.8 mm), N: short solder terminal (L = 4.8 mm), ground: short solder terminal (L = 4.8 mm), color: Black, design: snap-in (s=panel thickness), dimension S: 15, bipolar switch, solder terminals, black rocker	4304.6044
2565-K-2220-A-4158	2565, IEC Power Entry Module C6, 70°C, , version: I, L: short solder terminal (L = 4.8 mm), N: short solder terminal (L = 4.8 mm), ground: short solder terminal (L = 4.8 mm), color: Black, design: snap-in (s=panel thickness), dimension S: 15, bipolar switch, 4,8mm blade terminals, rocker green illuminated	4304.6327

The listed variants should be available from stock. Other versions on request www.schurter.com/contact

Availability for all products can be searched real-time: <http://www.schurter.com/en/Stock-Check/Stock-Check-SCHURTER>

Packaging unit 100 Pcs

Mating Outlets/Connectors

Category / Description



[Power Supply Cord Overview complete](#)

EU Power Supply Cord with IEC Connector C5, straight

6052.0042

[Power Supply Cord further types to 2565-K](#)