

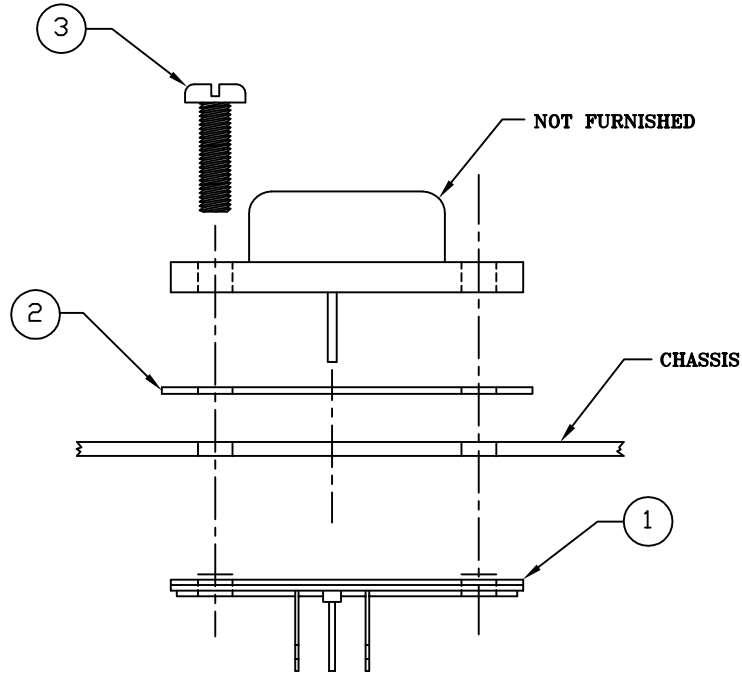
THIS DRAWING AND THE SPECIFICATION CONTAINED HERE IN ARE CONFIDENNTIAL AND PROPRIETARY. THEY ARE THE PROPERTY OF AAVID THERMAL TECHNOLOGIES INC. AND SHALL NOT BE REPRODUCED OR COPIED OR USED IN WHOLE OR IN PART AS THE BASIS FOR THE MANUFACTURE OR SALE OF ITEMS WITHOUT WRITTEN PERMISSION. THIS IS AN UNPUBLISHED WORK PROTECTED UNDER THE FEDERAL COPYRIGHT LAWS, 1995

KIT VIS#	TABLE		
	KIT CAT. NO.	INSULATOR PART NO.	MATERIAL DESCRIPTION
035077	4875	10209-2	THERMALFILM(43-03-2)
043139	4875M	15479-2	MICA (56-03-2)
036703	4875S	15856-2	THERMALSIL III(53-03-2)

035075

035076

PART TABLE				
ITEM	QTY.	DESCRIPTION	THM PART NO.	CAT. NO.
①	1	SOCKET, LAMINATED	11692	8114LB603
②	1	INSULATOR, SEE TABLE	--	--
③	2	SCREW, No. 6 x 3/4" LONG PPH S.S. SHEET METAL, TYPE "B" OR "AB"	--	--



**NOTE:**

1. KIT SHALL CONSIST OF ITEMS AND QUANTITIES SHOWN IN THE BILL OF MATERIALS.
2. EACH KIT SHALL BE SEALED IN A MOISTURE PROOF BAG.
3. EACH KIT SHALL BE MARKED WITH THERMALLOY PART No. (i.e. 4875) BY A VISIBLE TAG IN EACH BAG.

REVISION RECORD			
ECN NO.	CUSTOMER REV.	AAVID REV.	DATE
11776	D	--A	3/22/01
12798	D	--B	6/25/01

035077

REVISION RECORD			
ECN NO.	CUSTOMER REV.	AAVID REV.	DATE
12798	D	--A	6/25/01


036703

REVISION RECORD			
ECN NO.	CUSTOMER REV.	AAVID REV.	DATE
2413	D	--A	2/24/06

043139

FINISH	U/D	MAT'L
TOLERANCE UNLESS NOTED	.XX = +/- .015 [.38]	.XXX = +/- .010 [.25]
	ANGULAR +/- 3o	

REV.	DATE	DESCRIPTION	CHK'D


**AAVID THERMALLOY**  
 80 COMERCIAL ST.  
 CONCORD, N.H.  
 03301

DRAWING NO. **035077**

STANDARD DESCRIPTION  
THM,4875 REV D

DATE	DRAWN	ENGR.	APP'D	SCALE
02/24/06	G.LARES	G.L.		
REF.	SHEET			