

D-SUB contact support - VS-25-BU-DSUB-CD-B - 1689967

Please be informed that the data shown in this PDF Document is generated from our Online Catalog. Please find the complete data in the user's documentation. Our General Terms of Use for Downloads are valid (<http://download.phoenixcontact.com>)

D-SUB contact carrier, shell size 3, for 25 signal contacts, contact type socket, for crimp contacts, straight, fixing with a 3 mm hole, for panel mounting frame and sleeve housing VS-25-...



Key commercial data

Packing unit	10 pc
GTIN	4 017918 914363
Weight per Piece (excluding packing)	9.22 g
Custom tariff number	85369010
Country of origin	Germany

Technical data

Mechanical characteristics

Number of positions	25
Connection profile	25-pos. D-SUB
Insertion/withdrawal cycles	≥ 500
Connection method	Crimp connection

Ambient conditions

Ambient temperature (operation)	-55 °C ... 125 °C
---------------------------------	-------------------

Material data

Inflammability class according to UL 94	V0
Housing material	Steel, yellow chromated
Contact carrier material	Polyester GF

Electrical characteristics

Rated voltage (III/3)	125 V
Rated surge voltage	1 kV
Rated current	5 A

D-SUB contact support - VS-25-BU-DSUB-CD-B - 1689967

Classifications

eCl@ss

eCl@ss 4.0	27140816
eCl@ss 4.1	27260701
eCl@ss 5.0	27260701
eCl@ss 5.1	27260701
eCl@ss 6.0	27261203
eCl@ss 7.0	27440202
eCl@ss 8.0	27440202

ETIM

ETIM 2.0	EC000437
ETIM 3.0	EC000437
ETIM 4.0	EC000437
ETIM 5.0	EC000437

UNSPSC

UNSPSC 6.01	30211923
UNSPSC 7.0901	39121522
UNSPSC 11	39121522
UNSPSC 12.01	39121522
UNSPSC 13.2	39121522

Approvals

Approvals

Approvals

GOST

Ex Approvals

Approvals submitted

Approval details

GOST 

D-SUB contact support - VS-25-BU-DSUB-CD-B - 1689967

Accessories

Accessories

Crimp contact

D-SUB crimp contact - VS-BU-CD-1,0/14,4/0,2 - 1688997



Crimp contact, for D-SUB contact inserts with standard contact density, socket, connection cross section AWG 28 ... 24, turned, gold-plated

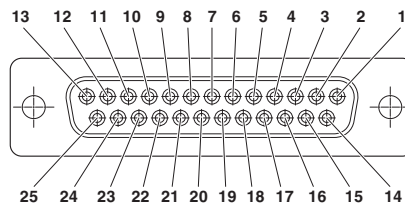
D-SUB crimp contact - VS-BU-CD-1,0/14,4/0,5 - 1688984



Crimp contact, for D-SUB contact inserts with standard contact density, socket, connection cross section AWG 24 ... 20, turned, gold-plated

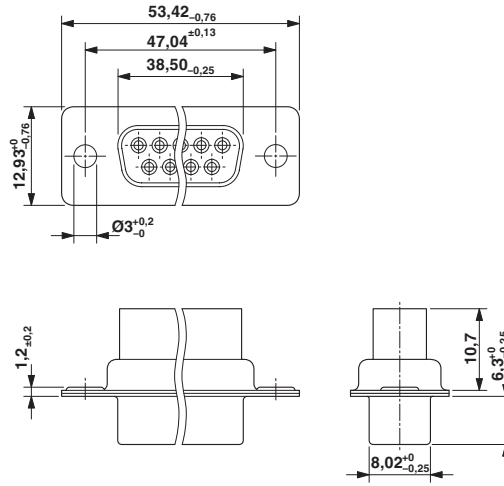
Drawings

Schematic diagram



D-SUB contact support - VS-25-BU-DSUB-CD-B - 1689967

Dimensioned drawing



D-SUB contact carrier