

Product Information



SYNTECH

3470HUR100P62 white

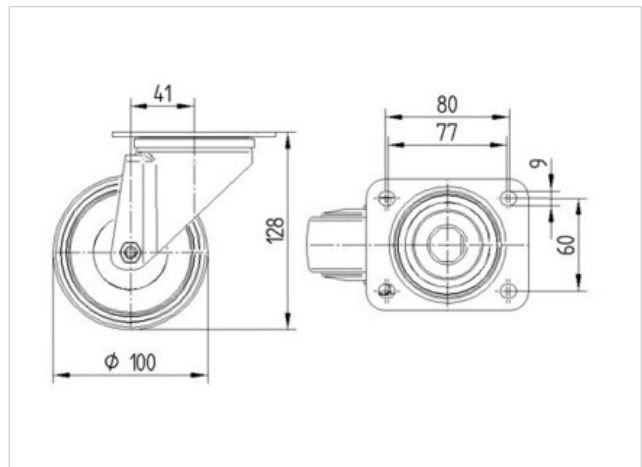
EAN 4031582400632

Swivel castor, housing made of pressed steel, bright zinc plated, blue passivated, double ball bearing swivel head, wheel axle with nut, dustguard, plate fitting.

Hybrid-wheel "SYNTECH", wheel centre and tread made of Polyamide, with elastic solid rubber centre, noise reduced, roller bearing



| Technical Data | |
|------------------------|----------------|
| Wheel diameter | 100 mm |
| Width of Tread | 36 mm |
| Size of Plate | 105 x 85 mm |
| Plate hole centres | 80/77 x 60 mm |
| Plate hole | 9 mm |
| Offset | 41 mm |
| Swivel Interference | 182 mm |
| Overall height | 128 mm |
| Temperature | - 20 / + 60 °C |
| Standard | EN 12532 |
| Weight | 1.017 kg |
| Swivel Radius | 91 mm |
| Hardness of tread | D 75 Shore |
| Load capacity | 160 kg |
| Load capacity (static) | 320 kg |



| | | | | | |
|----------------------|---|---|---|---|---|
| Roll performance | + | + | + | + | + |
| Movement noise | + | + | + | + | + |
| Attrition | + | + | + | + | + |
| Corrosion resistance | + | + | + | + | + |

Product Information



SYNTECH

3470HUR100P62 white

EAN 4031582400632

