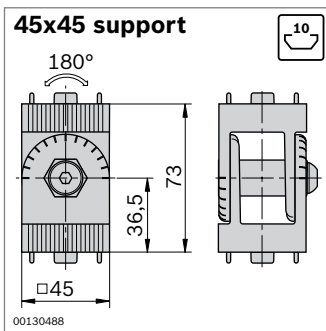
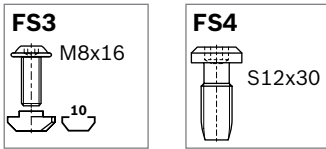
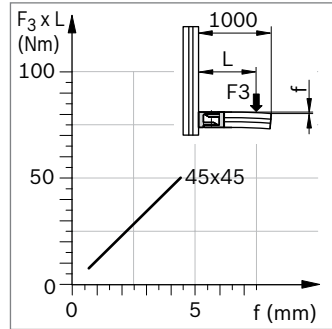
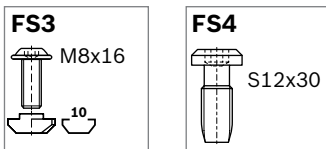
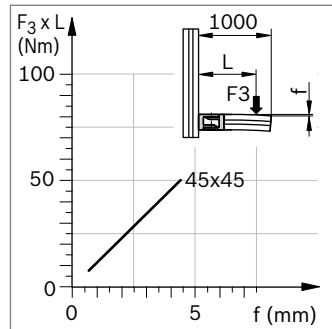


	<b>F1 (N)</b>	<b>F2 (N)</b>
	15 000	1 000



	<b>F1 (N)</b>	<b>F2 (N)</b>
	15 000	1 000



Joint 45x45	Slot	ESD	No.	FS
<b>Standard</b>	10		<b>3 842 543 403</b>	2xFS3, 2xFS4
<b>designLINE</b>	10		<b>3 842 538 686</b>	2xFS3, 2xFS4

Material: Standard: diecast aluminum  
*designLINE*: painted, RAL 9006  
 Fastening material: steel; galvanized  
 Scope of delivery: incl. fastening material (FS)

Joint 45x45 support	Slot	ESD	No.	FS
<b>Standard</b>	10		<b>3 842 543 404</b>	2xFS3, 2xFS4
<b>designLINE</b>	10		<b>3 842 538 687</b>	2xFS3, 2xFS4

Material: Standard: diecast aluminum  
*designLINE*: painted, RAL 9006  
 Fastening material: steel; galvanized  
 Scope of delivery: incl. fastening material (FS)

Clamping lever	No.
<b>for joint 45x45 support</b>	<b>3 842 538 607</b>

Material: diecast zinc, black polymer coating