



STD-45G/T

Eye/Facewash - Plumbed
STD-45G
STD-45G/T, STD-45G/P, STD-45GS/P

Eye/Facewash

Hughes Safety Showers manufacture an 'Unbreakable' Wall Mounted Emergency Eye/Facewash Fountain with integral lid, aerated diffusers, flow regulator and self-adhesive sign.



STD-45G

Table/Bench mounted model STD-45G/T

Pedestal mounted models STD-45G/P & 45GS/P. Pedestal version available in Galvanised Mild Steel or Stainless Steel.

EYE/FACEWASH - PLUMBED

- Designed in accordance with ANSI and EU guidelines
- 'Unbreakable' Wall, Table or Pedestal mounted Emergency Eye/Facewash Fountain
- Incorporates integral lid, aerated diffusers, flow regulator and self-adhesive sign
- Lid ensures the bowl remains clean and free from contamination
- Choice of optional components available including alarms and foot operation

Specification

This 'unbreakable' eye/facewash has high flow rate aerated diffusers for improved washing action to the eyes, face and hands and incorporates an integral lid connected to the water valve for automatic operation when the lid is pulled down. The lid also ensures that the bowl remains clean and free from contamination at all times.

The eye wash diffusers are fitted with fine mesh strainers and a flow controller and are designed to give a gentle flow of aerated water.



STD-45G/P



STD-45GS/P



PRODUCT INFORMATION SHEET



Eye/Facewash - Plumbed
STD-45G
 STD-45G/T, STD-45G/P, STD-45GS/P

TECHNICAL DETAILS

Eye/Facewash

MATERIALS OF CONSTRUCTION

EYE/FACEWASH BOWL/LID Acrylic Capped ABS

SERVICES

WATER INLET 1/2" Male BSP

DESIGN OPERATING PRESSURE 2.0 to 6 BAR G (Higher supply pressures accommodated with the incorporation of the optional Pressure Reducing Valve)

TEST PRESSURE 10.3 BAR G

MINIMUM FLOW RATES - ANSI Eye/Facewash: 20 litres/minute

ENVIRONMENTAL OPERATING TEMPERATURE

MINIMUM AMBIENT OPERATING TEMP 5° C (41° F)

MAXIMUM AMBIENT OPERATING TEMP 35° C (95° F)

ACTIVATION/OPERATION

EYE/FACEWASH Pull Lid forward to operate
 (Treadle foot control for hands free - optional)

WEIGHTS and DIMENSIONS

DIMENSIONS (STANDARD ORIENTATION) 410(W) x 400(D) x 315mm(H)

WEIGHT (UNPACKED) 8Kg

Standards



- ALLOCATE A LOCATION REFERENCE FOR EASE OF IDENTIFICATION
- ALL UNITS TO BE ACTIVATED WEEKLY - ANSI Z358.1 2009
- SAFETY SHOWER/EYE WASH MUST BE LOCATED WITHIN 10 SECONDS OR 15 METRES OF A POTENTIAL HAZARD - ANSI Z358.1 2009
- THE UNIT MUST BE LOCATED ON THE SAME LEVEL AS THE HAZARD AND THE PATH OF TRAVEL & LOCAL AREA SHOULD BE FREE FROM OBSTRUCTIONS - ANSI Z358.1 2009
- THE UNIT SHOULD BE WELL LIT AND IDENTIFIED WITH HIGHLY VISIBLE SIGNAGE TO BS EN ISO 7010 - ANSI Z358.1 2009
- FLUSH FOR SUFFICIENT DURATION TO PURGE THE SUPPLY PIPE WITH FRESH WATER
- REPLACE WORN OR ILLEGIBLE SAFETY SIGNS AND STICKERS
- SIGN & DATE SERVICE TAG WHEN SERVICE COMPLETED



HUGHES

HUGHES-SAFETY-SHOWERS.CO.UK





Eye/Facewash - Plumbed
STD-45G
STD-45G/T, STD-45G/P, STD-45GS/P

OPTIONS

Options



Eye wash Sign



Optiflex



Treadle Foot Control



Eye/facewash Proximity Switch



Flow Switch



Audible/Visual Alarm



Audible Alarm



Visual Alarm



'Y' Strainer



Pressure Reducing Valve

Optional Fittings

- Eye wash Sign - Wall Mounted*
- Optiflex*
- Treadle Foot Control*
- Eye/Facewash Proximity Switch*
- Flow Switch*
- Audible/Visual Alarm*
- Audible Alarm*
- Visual Alarm*
- 'Y' Strainer*
- Brass Pressure Reducing Valve*

	Eye wash Sign - Wall Mounted	Optiflex	Treadle Foot Control	Eye/Facewash Proximity Switch	Flow Switch	Audible/Visual Alarm	Audible Alarm	Visual Alarm	'Y' Strainer	Brass Pressure Reducing Valve
STD-45G	●	●	●	●	●	●	●	●	●	
STD-45G/T	●	●	●	●	●	●	●	●	●	
STD-45G/P	●	●	●	●	●	●	●	●	●	
STD-45GS/P	●	●	●	●	●	●	●	●	●	

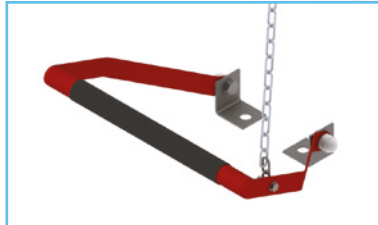


HUGHES

HUGHES-SAFETY-SHOWERS.CO.UK



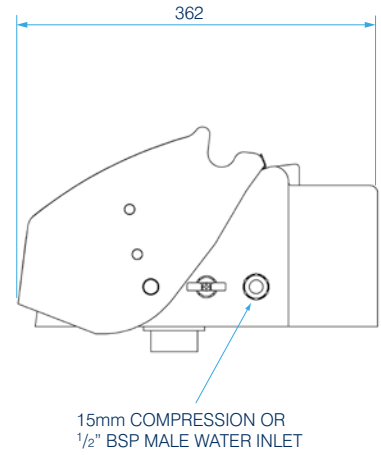
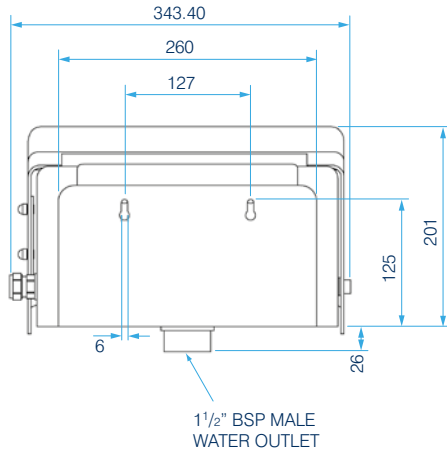
PRODUCT INFORMATION SHEET



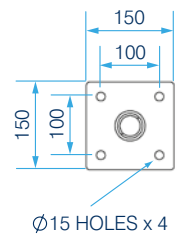
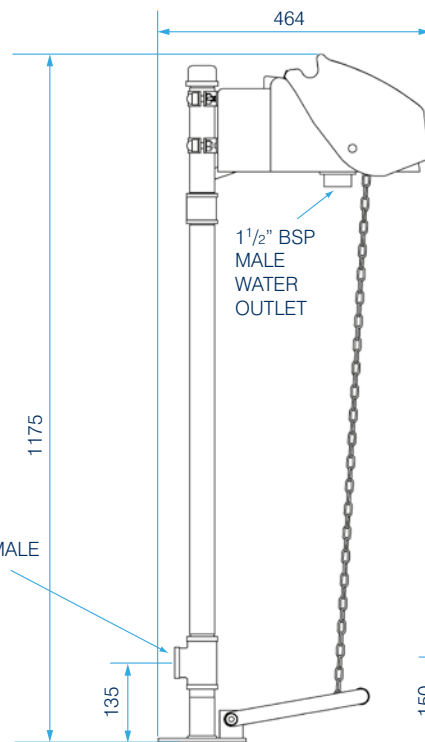
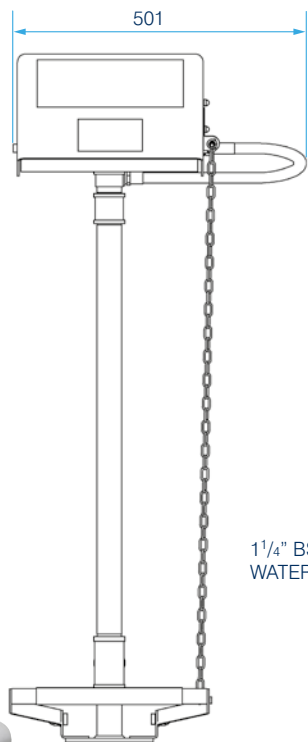
Eye/Facewash - Plumbed
STD-45G
STD-45G/T, STD-45G/P, STD-45GS/P

G.A. DRAWING

STD-45G



STD-45G/P



HUGHES SAFETY SHOWERS LTD
Whitefield Road, Bredbury, Stockport, Cheshire, SK6 2SS England, UK.
T: +44 (0)161 430 6618

E: info@hughes-safety-showers.co.uk F: +44 (0)161 430 7928

www.hughes-safety-showers.co.uk

Registered No. 0939240. VAT Registration No. 918 5005 32. Hughes Safety Showers Ltd is a wholly owned subsidiary of the JD Hughes Group PLC.

