


Ordering number C11811_ANNA-50-6-S

Family	Anna-50-6	FWHM	18 degrees
Type	Lens array	Efficiency	93 %
LED	XP-G	cd/lm	5.940
Color	Clear	Gerber File	Available
Diameter	50 mm		
Height	10.7 mm		
Style	Round		
Optic Material	PMMA		
Holder Material	-		
Fastening	Pin, glue		
Status	Ready		

Ordering number C11812_ANNA-50-6-M

Family	Anna-50-6	FWHM	25 degrees
Type	Lens array	Efficiency	91 %
LED	XP-G	cd/lm	3.600
Color	Clear	Gerber File	Available
Diameter	50 mm		
Height	10.7 mm		
Style	Round		
Optic Material	PMMA		
Holder Material	-		
Fastening	Pin, glue		
Status	Ready		

Ordering number C11813_ANNA-50-6-W

Family	Anna-50-6	FWHM	36 degrees
Type	Lens array	Efficiency	87 %
LED	XP-G	cd/lm	2.000
Color	Clear	Gerber File	Available
Diameter	50 mm		
Height	10.7 mm		
Style	Round		
Optic Material	PMMA		
Holder Material	-		
Fastening	Pin, glue		
Status	Ready		

NOTE: The typical divergence will be changed by different color, chip size and chip position tolerance. The typical total divergence is the full angle measured where the luminous intensity is half of the peak value.



PRODUCT DATASHEET

Anna-50-6 series

last update 25/10/2012

GENERAL INFORMATION

- Product series especially designed & optimized for XP-G series of LEDs.
- Special care taken to make light distribution as uniform as possible.
- Lens material optical grade PMMA with high UV and temperature resistance. Allows use of high current and temperature conditions.

Please find more information about used material from below:

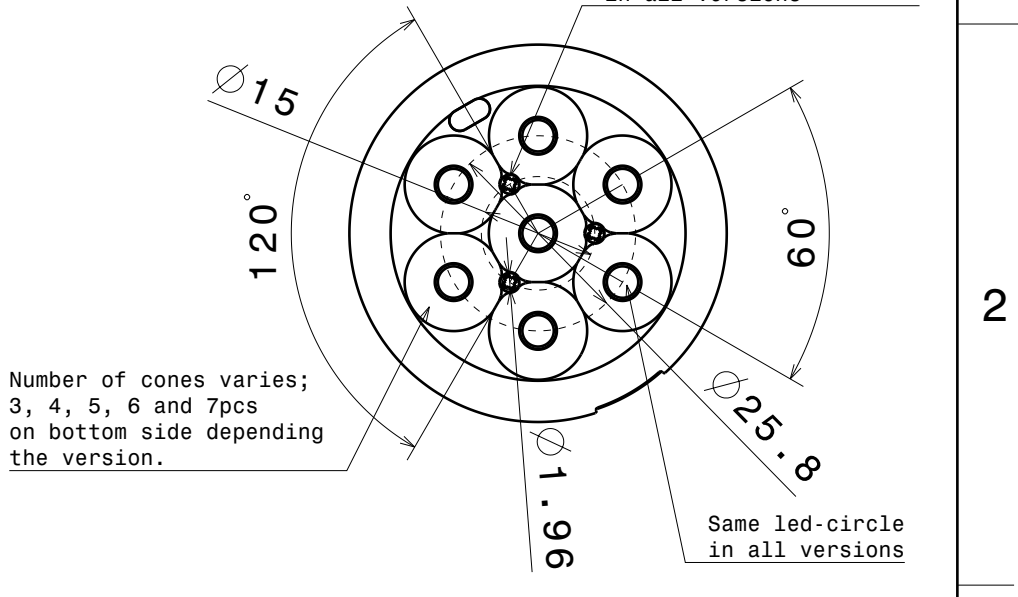
http://ledil.fi/sites/default/files/Documents/Technical/Material/PMMA%20N%20UL94_Yellow%20Card.pdf

<http://ledil.fi/sites/default/files/Documents/Technical/Material/PMMA%20N%20PLEXIGLAS-Datasheet.pdf>



Material: PMMA

Versions:
 Anna-3-S
 Anna-3-M
 Anna-3-W
 Anna-4-S
 Anna-4-M
 Anna-4-W
 Anna-5-S
 Anna-5-M
 Anna-5-W
 Anna-6-S
 Anna-6-M
 Anna-6-W
 Anna-7-S
 Anna-7-M
 Anna-7-W



This drawing is our property. It can't be reproduced or communicated without our written agreement.



DRAWING TITLE

DRAWN BY p		DATE 05.10.2010		Datasheet Anna50-series Lens			
CHECKED BY t k		DATE 03.08.2010					
DESIGNED BY hh		DATE 30.07.2010		SCALE 1:1	WEIGHT (g)	SHEET 1/1	