



ILLUMINATED PUSHBUTTON, 22MM, ROUND, PLASTIC, WHITE, FLAT BUTTON, MOMENTARY CONTACT TYPE

Figure similar

product brand name		SIRIUS ACT
Product designation		Commanding and signaling devices
Design of the product		Pushbutton

Actuator:

Design of the operating mechanism		illuminated pushbutton with flat button
Manner of function of the actuating element		Momentary contact type
Product expansion optional Light source		Yes
Color		
• of the actuating element		White
Material of the actuating element		plastic
Shape of the actuating element		round
Outer diameter of the actuating element	mm	29.45
Type of unlocking device		without

Front ring:

Product component front ring		Yes
Design of the front ring		Standard
Material of the front ring		plastic
Color of the front ring		black

General technical data:

Vibration resistance		
• acc. to IEC 60068-2-6		10 ... 500 Hz: 5g
Operating frequency maximum	1/h	3 600
Mechanical service life (switching cycles)		
• typical		3 000 000

Equipment marking		
• acc. to DIN EN 61346-2		S
• acc. to DIN EN 81346-2		S

Ambient conditions:

Ambient temperature		
• during operation	°C	-25 ... +70
• during storage	°C	-40 ... +80

Installation/ mounting/ dimensions:

Height	mm	29.45
Width	mm	29.45
Shape of the installation opening		round
Mounting diameter	mm	22

Certificates/ approvals:

Further information

Information- and Downloadcenter (Catalogs, Brochures,...)

<http://www.siemens.com/industrial-controls/catalogs>

Industry Mall (Online ordering system)

<http://www.siemens.com/industrymall>

Cax online generator

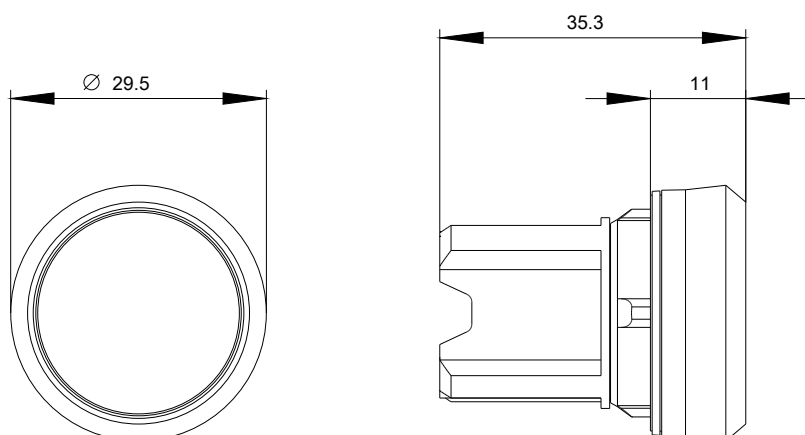
<http://support.automation.siemens.com/WW/CAXorder/default.aspx?lang=en&mfb=3SU10010AB600AA0>

Service&Support (Manuals, Certificates, Characteristics, FAQs,...)

<http://support.automation.siemens.com/WW/view/en/3SU10010AB600AA0/all>

Image database (product images, 2D dimension drawings, 3D models, device circuit diagrams, EPLAN macros, ...)

http://www.automation.siemens.com/bilddb/cax_de.aspx?mfb=3SU10010AB600AA0&lang=en



last modified:

09.03.2015