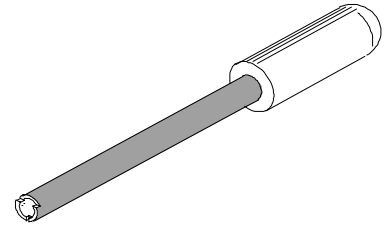




Activation/ Deactivation Tool Instruction Sheet Order No. 63813-0600



This tool is used for the Activation/Deactivation of Sabre Product Wire-to-Wire 43178 Terminal Series in plugs.

OPERATION:

1. Insert the tool into the housing as shown below.
2. Use the sides of the housing to guide the extraction tool into the housing.
3. Continue to insert the tool until the tool cannot go any further into the housing & position the narrow opening on the tool around the part of the terminal that is going to be activated or deactivated.
4. Gently turn the tool clockwise until one tab is turned & the terminal is activated or counter clockwise until the terminal is deactivated.
5. Then use the 63813-0800 Extraction Tool to extract the terminal from the housing.
6. Molex does not offer repair parts for this Tool due to the inexpensive nature of the tool.

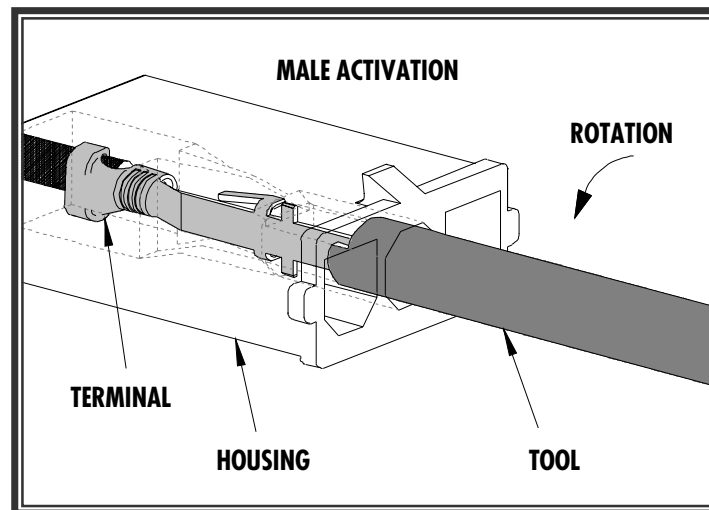


Figure 1

Molex Application Tooling Group

1150 E. Diehl Road
Naperville, IL 60563
Tel: (630) 969-4550
Fax: (630) 505-0049