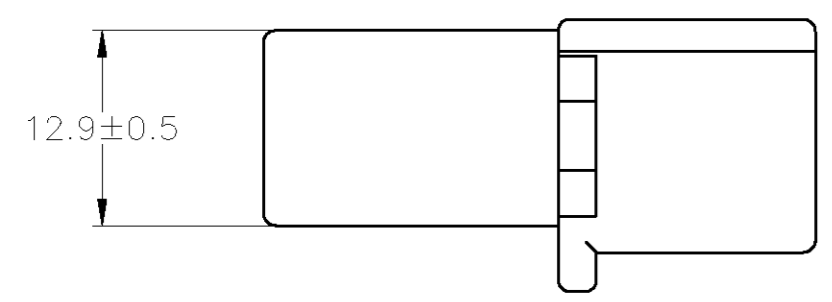
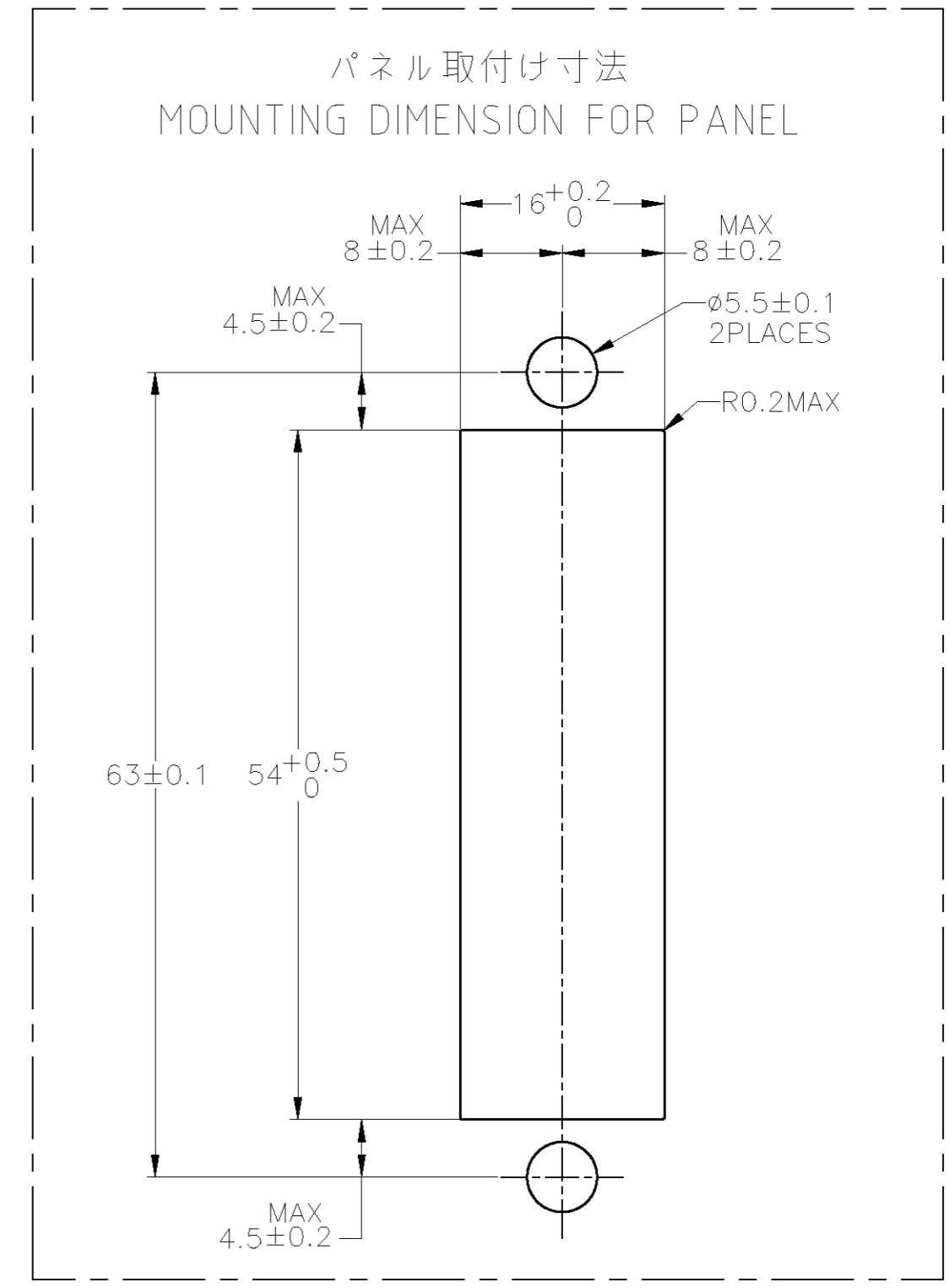
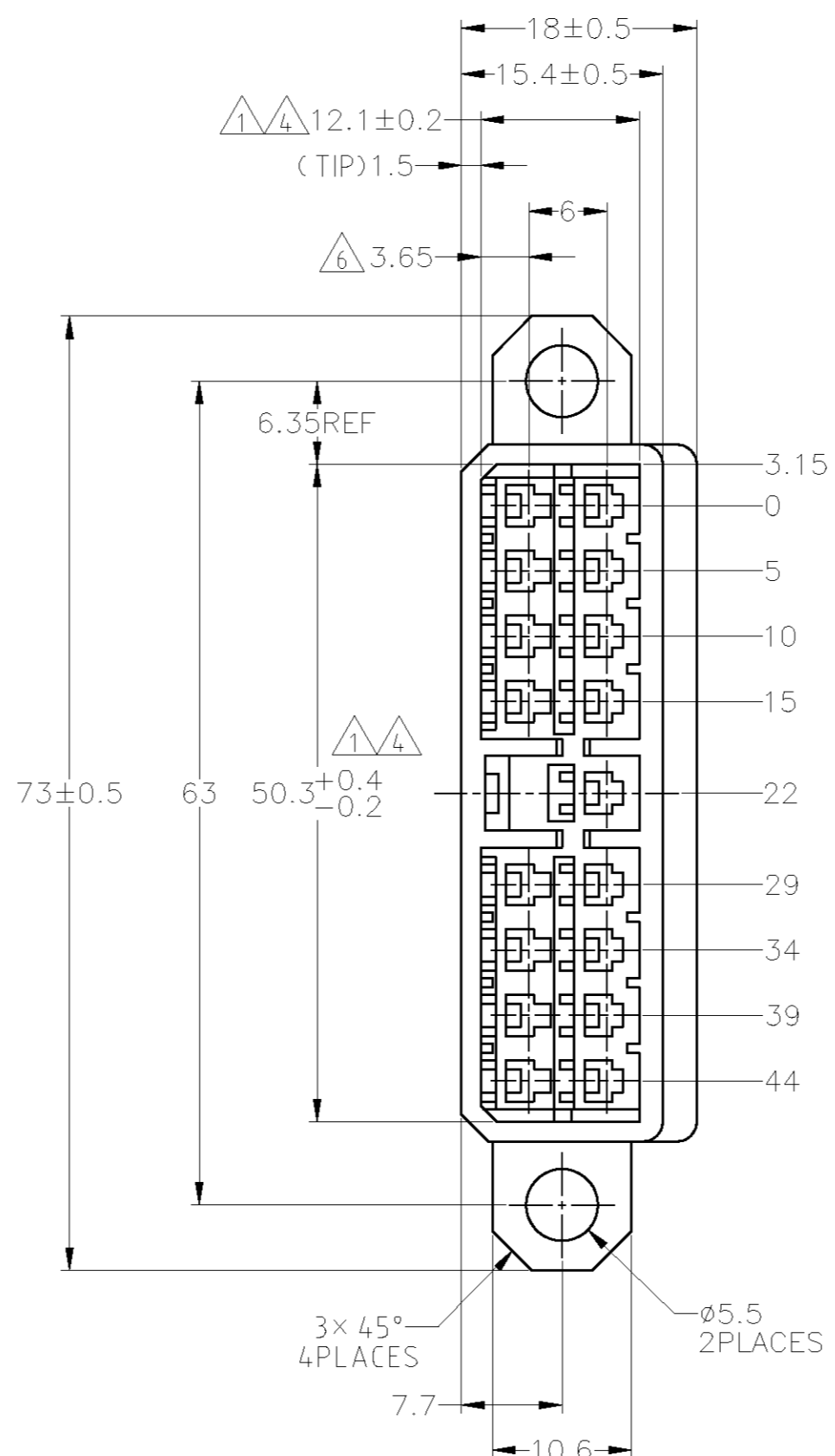
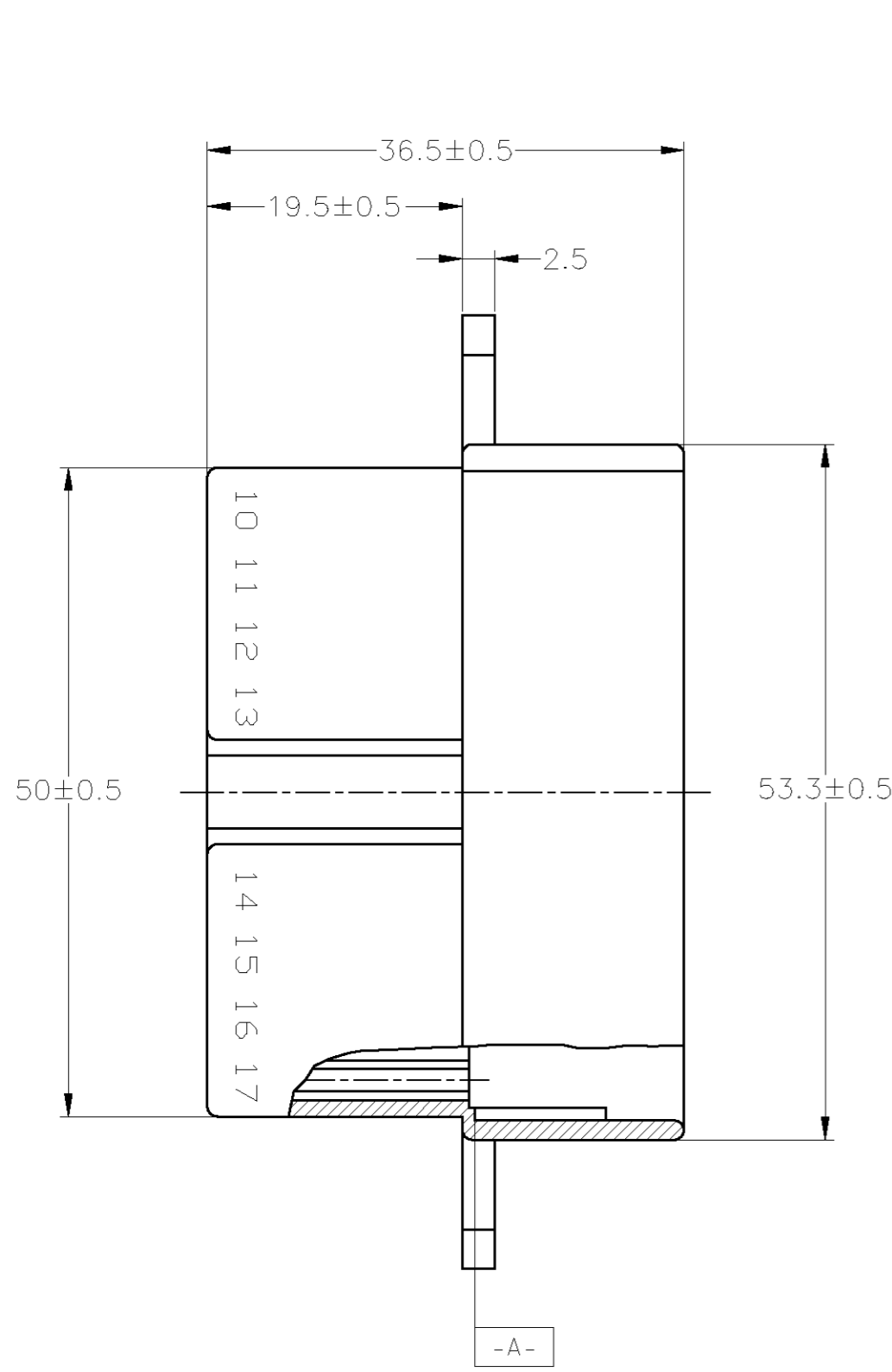


THIS DRAWING IS UNPUBLISHED. RELEASED FOR PUBLICATION
 © COPYRIGHT BY TYCO ELECTRONICS CORPORATION. ALL INTERNATIONAL RIGHTS RESERVED.

LOC	DIST	REVISIONS			
P	LTR	DESCRIPTION	DATE	DWN	APVD
J	-	D1 REVISED	ECR-10-004036	25FEB10	TS KB



- ① IN COUPLING WITH THE PLUG HOUSING MATING SATISFIES FUNCTION.
- 2. APPLIED CONTACT PN 170221, 170222
- 3. PRODUCT SPECIFICATION NUMBER: 108-5099
- ④ TO BE MEASURED WITHIN 2mm FROM [-A-]
- 5. IN COUPLING WITH THE PLUG HOUSING MATING FORCE 29.4N (3kg) MAX. WITHOUT RECEPTACLE CONTACT.
- ⑥ CENTERLINE OF CONTACT

- ① 相手ハウジングと所定の機能を満たして嵌合出来ること。
- 2. 使用コンタクト型番: 170221 及び 170222, その他
- 3. 製品規格番号: 108-5099
- ④ [-A-] 面より2mmの範囲で測定。
- 5. 相手ハウジングとの嵌合力は29.4N (3kg) 以下。但し、コンタクトは含まない。
- ⑥ コンタクトセンター迄の距離

OBSOLETE	GRAY	171828-6
OBSOLETE	BLUE	171828-5
	GREEN	171828-4
OBSOLETE	BROWN	171828-3
	BLACK	171828-2
	NATURAL	171828-1
	COLOR	PART NUMBER

GENERAL TOLERANCE

10 ≥	: ±0.2
30 ≥ > 10	: ±0.25
100 ≥ > 30	: ±0.3
ANGLE	: ±3°

THIS DRAWING IS A CONTROLLED DOCUMENT.

DIMENSIONS: mm	TOLERANCES UNLESS OTHERWISE SPECIFIED:	DWN T.SHINOHARA 30JUL09	Tyco Electronics Corporation Kawasaki, Japan
Ø PLG ±	PLG ±	CHK K.BETSUI 30JUL09	
1 PLG ±	2 PLG ±	APVD K.BETSUI 30JUL09	MULTI-INTER LOCK CONNECTOR 17 POSITION CAP HOUSING WITH FLANGE
3 PLG ±	4 PLG ±	NAME K.BETSUI	
ANGLES ±	FINISH -	PRODUCT SPEC SEE NOTE 3	SIZE A2
MATERIAL 66 NYLON (UL94V-2)		APPLICATION SPEC -	CAGE CODE 00779
		WEIGHT -	DRAWING NO C=171828
		CUSTOMER DRAWING	RESTRICTED TO -
		SCALE 2:1	SHEET 1 of 1
			REV D1