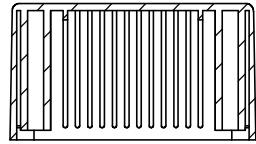


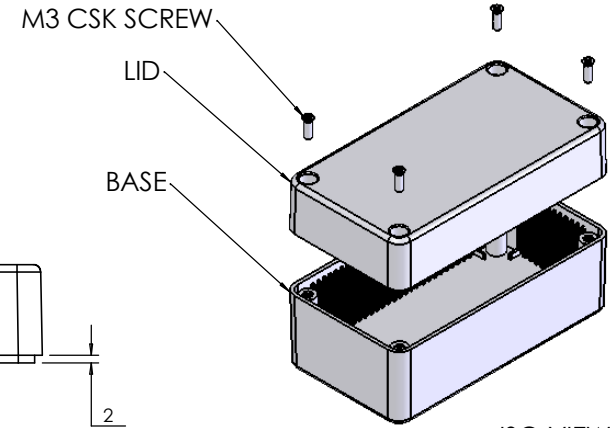
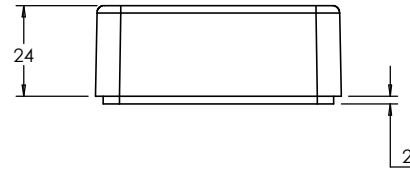
OVERALL ASSEMBLY DIMENSIONS:

EXTERNAL - 120 x 65 x 60

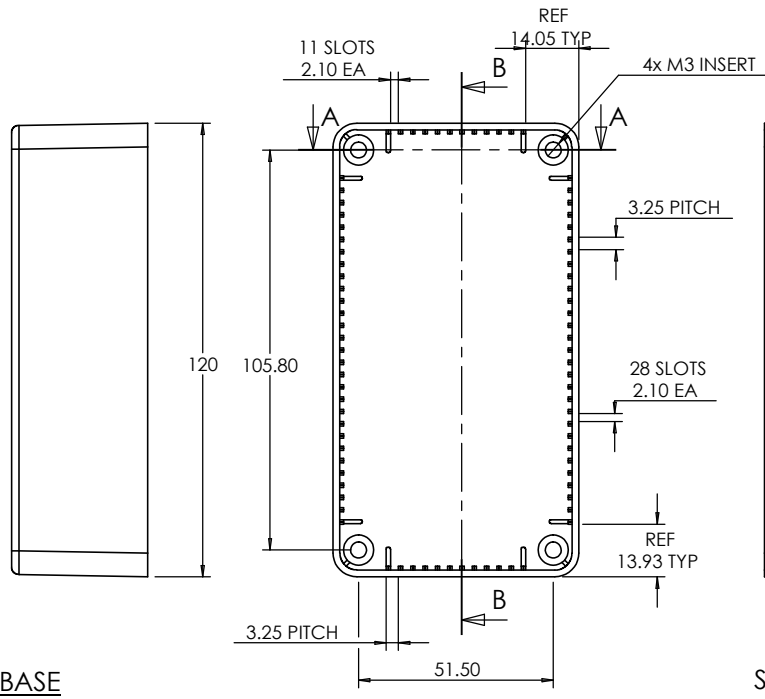
INTERNAL - 116.4 x 61.4 x 56.4



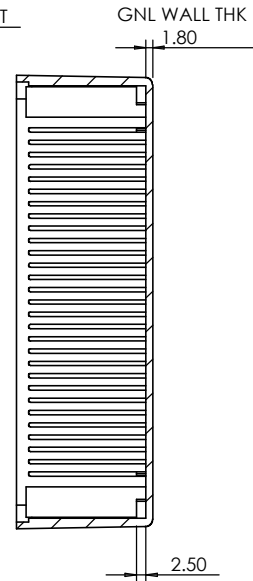
SECTION A-A



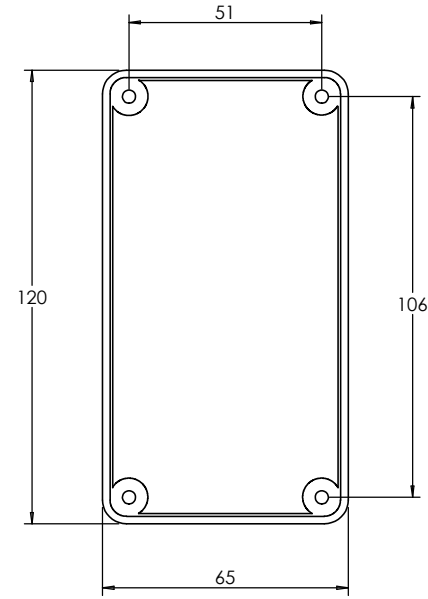
ISO VIEW
1:3



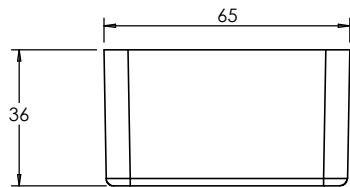
BASE



SECTION B-B



LID



JAMES CARTER RD, MILDENHALL, SUFFOLK, IP28 7DE
TEL: 01638 716101 FAX: 01638 716554
EMAIL: Sales@CamdenBoss.com
WEB: www.CamdenBoss.com

UNLESS OTHERWISE SPECIFIED:
DIMENSIONS ARE IN MILLIMETERS

DO NOT SCALE DRAWING

REVISION. 0

FINISH.
SMOOTH

TITLE:

ASSEMBLY DRG FOR 2004/24

	NAME	SIGNED	DATE
DRAWN	S.HARDINGE	SJH	06/10/05
CHKD	-	-	-

MATERIAL.
ABS
PROJECTION.

DWG NO.

2004,24

A4

SCALE: 1:2

SHEET 1 OF 1