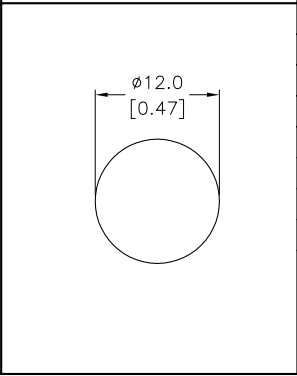
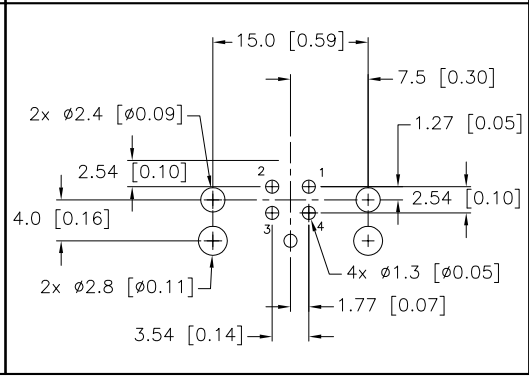
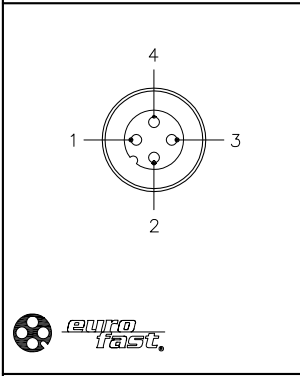


MALE END VIEW

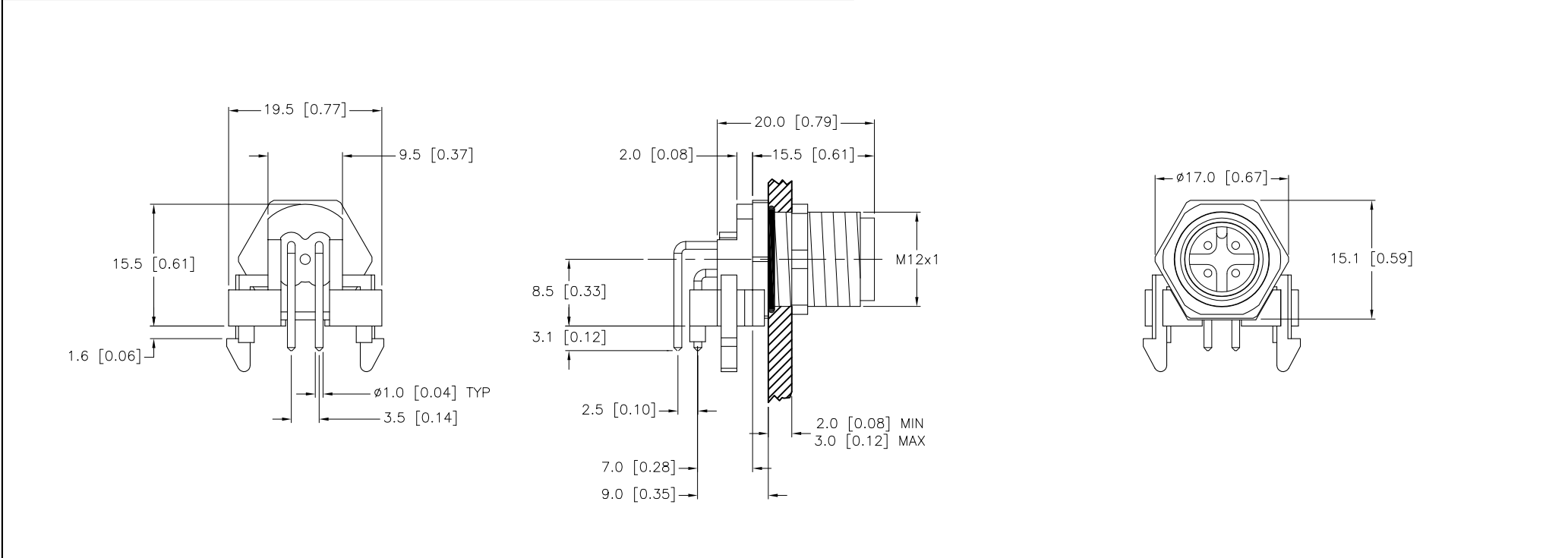
BOARD LAYOUT

PANEL CUTOUT

SPECIFICATIONS



CONTACT CARRIER MATERIAL/COLOR	TPU/BLACK
CONTACT MATERIAL/PLATING	BRASS/GOLD
HOUSING/LOCKNUT MATERIAL/PLATING	BRASS/NICKEL
RATED CURRENT [A]	4.0 A
RATED VOLTAGE [V]	125 V
NUMBER OF CONDUCTORS [AWG]	PRINTED CIRCUIT PINS
TEMPERATURE RANGE	-25°C to +85°C (-13°F to +185°F)
PROTECTION CLASS	MEETS IEC IP68



**NOTE**  
PRELIMINARY SPECIFICATIONS

SOURCE DRAWING - FOR REFERENCE ONLY

NOTES:

- BOARD THICKNESS IS .06 [1.6mm] MAX.

P1	DRAWING RELEASE PENDING	BY	DATE	ECO NO.
REV	DESCRIPTION	BY	DATE	ECO NO.

RELATED DOCUMENTS 1. 2. 3. 4.	3RD ANGLE PROJECTION	THIS DRAWING IS PROPERTY OF TURCK INC. USE OF THIS DOCUMENT WITHOUT WRITTEN PERMISSION IS PROHIBITED.			3000 CAMPUS DRIVE MINNEAPOLIS, MN 55441 1-800-544-7769 (763) 553-7300 (763) 553-0708 fax turck.com	
	MATERIAL SEE SPECIFICATIONS		DRFT CK	DATE 06/01/11	DESCRIPTION WFSFDH 4.4	
FINISH SEE SPECIFICATIONS	ALL DIMENSIONS DISPLAYED ON THIS DRAWING ARE FOR REFERENCE ONLY	DSGN	SCALE 1=.8	UNIT OF MEASUREMENT <b>MILLIMETER [ INCH ]</b>		
		DO NOT SCALE THIS DRAWING		IDENTIFICATION NO. U0981-92		REV P1
				FILE: U0981-92		SHEET 1 OF 1