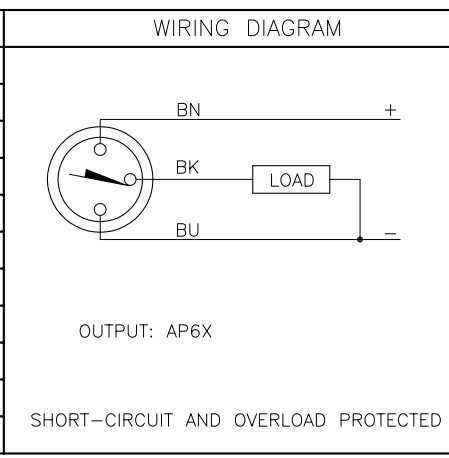
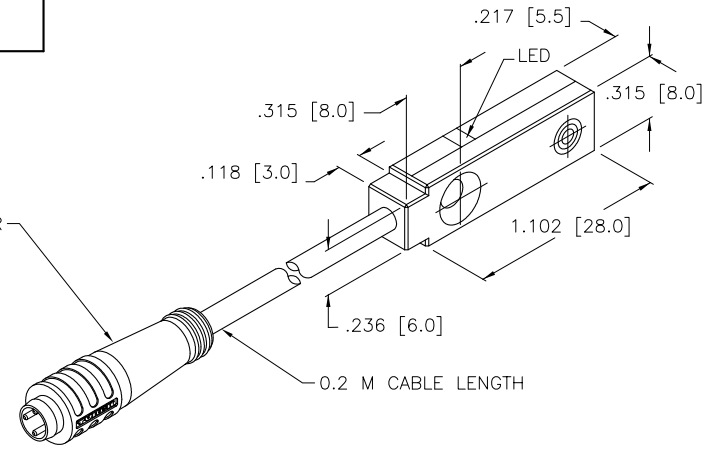
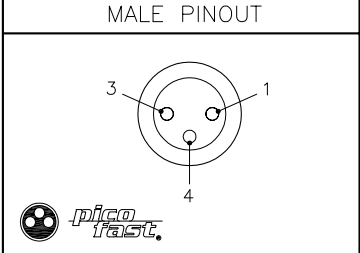


CONNECTOR CABLE SPECIFICATIONS	
CONTACT CARRIER MATERIAL	PA 6-3-T (NYLON)
MOLDED HEAD MATERIAL/COLOR	TPU/YELLOW
CONTACT MATERIAL/PLATING	CuZn, GOLD PLATED
RATED CURRENT [A]	SEE SENSOR SPECIFICATIONS
RATED VOLTAGE [V]	125 VAC/DC
OUTER JACKET MATERIAL/COLOR	TPU/GRAY
CONDUCTOR INSULATION MATERIAL	PVC
NUMBER OF CONDUCTORS [AWG]	3x26 AWG
TEMPERATURE RANGE	SEE SENSOR SPECIFICATIONS
PROTECTION CLASS	MEETS NEMA 1,3,4,6P AND IEC IP67
INSULATION RESISTANCE	$\geq 10^9 \Omega$



SPECIFICATIONS	
OPERATING VOLTAGE	10-30 VDC
RIPPLE	$\leq 10\%$
DIFFERENTIAL TRAVEL (HYSTERESIS)	3-15% (5% TYPICAL)
VOLTAGE DROP ACROSS CONDUCTING SENSOR	≤ 1.8 V at 100 mA
OUTPUT FUNCTION	NORMALLY OPEN 3-WIRE DC SELF-CONTAINED
TRIGGER CURRENT FOR OVERLOAD PROTECTION	≥ 170 mA
CONTINUOUS LOAD CURRENT	≤ 150 mA
OFF-STATE (LEAKAGE) CURRENT	< 10 μ A
NO-LOAD CURRENT	≤ 10 mA
TIME DELAY BEFORE AVAILABILITY	≤ 8 ms
POWER-ON EFFECT	Per IEC 947-5-2
REVERSE POLARITY PROTECTION	INCORPORATED
WIRE-BREAK PROTECTION	INCORPORATED
PROTECTION AGAINST TRANSIENTS	IEC 60947-5-2
ENCLOSURE	MEETS NEMA 1, 3, 4, 6, 13 AND IEC IP67
OPERATING TEMPERATURE	-25°C to +70°C (-13°F to +158°F) W/ $\pm 10\%$ DRIFT
SHOCK	30 g, 11 ms
LED FUNCTION	YELLOW: OUTPUT ENERGIZED
VIBRATION	55 Hz, 1 mm AMPLITUDE (IN ALL 3 PLANES)
RATED OPERATING DISTANCE(Sn)	2 mm = .078" (NOMINAL)
SWITCHING FREQUENCY	2000 Hz
REPEATABILITY	$\leq 2\%$ of RATED OPERATING DISTANCE
EMBEDDABLE (SHIELDED)	YES



SOURCE DRAWING - FOR REFERENCE ONLY

RELATED DOCUMENTS				3RD ANGLE PROJECTION		THIS DRAWING IS PROPERTY OF TURCK INC. USE OF THIS DOCUMENT WITHOUT WRITTEN PERMISSION IS PROHIBITED.		TURCK INC High Technology Sensors and Automation Controls 3000 CAMPUS DRIVE MINNEAPOLIS, MN 55441 1-800-544-7769 (763) 553-7300 (763) 553-0708 fax turck.com		
1. 2. 3. 4.						DRFT IK		DATE 08/04/00		
MATERIAL SEE SPECIFICATIONS						DSGN		SCALE 1=1.0		DESCRIPTION Bi 2-Q5.5-AP6X-0.2M-PSG 3
FINISH SEE SPECIFICATIONS				ALL DIMENSIONS DISPLAYED ON THIS DRAWING ARE FOR REFERENCE ONLY CONTACT TURCK FOR MORE INFORMATION		UNIT OF MEASUREMENT INCH [MILLIMETER]		IDENTIFICATION NO. S1613093		REV B
B DRAWING PROCESSED AS PART OF ECO 33971						CBM 04/06/11 33971		DO NOT SCALE THIS DRAWING		FILE: S1613093
REV	DESCRIPTION	BY	DATE	ECO NO.						