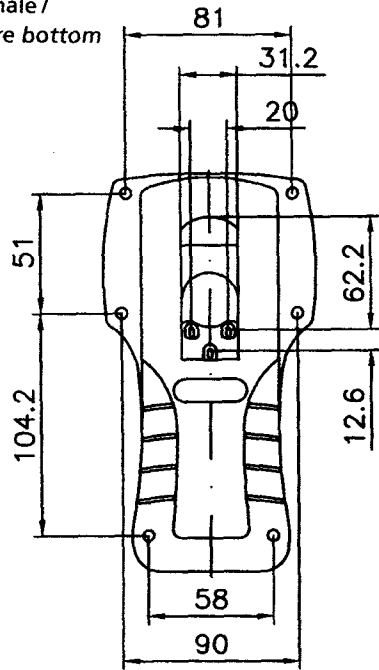
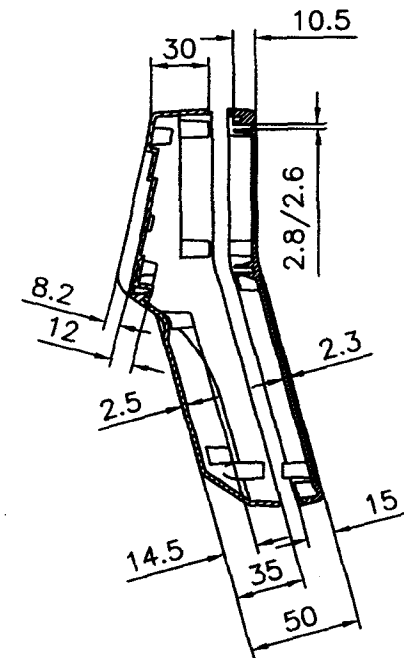
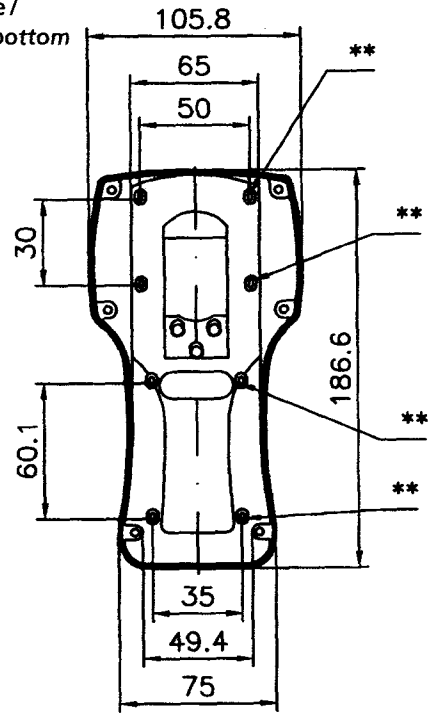


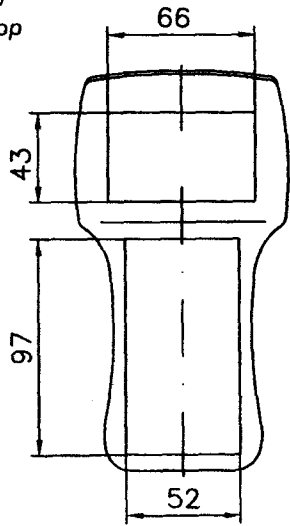
Unterschale/
enclosure bottom



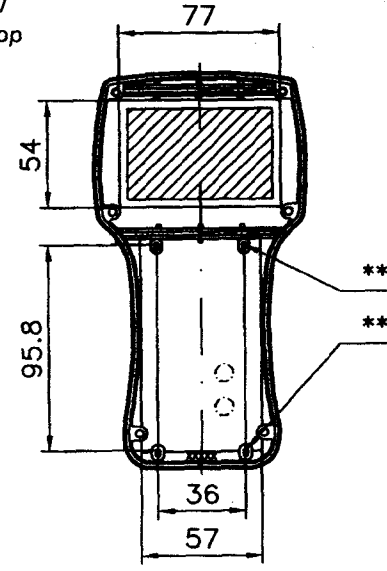
Unterschale/
enclosure bottom



Oberschale/
enclosure top



Oberschale/
enclosure top



** = Dom zur Platinenbefestigung (Schraube 2.5x5) /
PCB mounting boss (screw 2.5x5)