

Pin Definition:
 1. Base
 2. Collector
 3. Emitter

PRODUCT SUMMARY

BV_{CEO}	450V
BV_{CBO}	1050V
I_C	2.5A
$V_{CE(SAT)}$	0.5V @ $I_C=0.7A, I_B=0.14A$

Features

- High Voltage Capability
- High Switching Speed

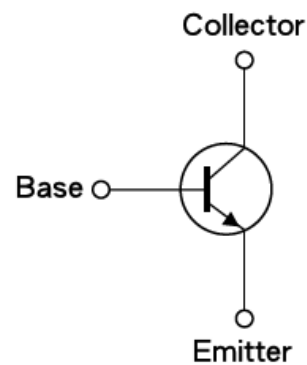
Structure

- Silicon Triple Diffused Type
- NPN Silicon Transistor

Ordering Information

Part No.	Package	Packing
TSC741CZ C0	TO-220	50pcs / Tube

Block Diagram



Absolute Maximum Rating ($T_A = 25^\circ\text{C}$, unless otherwise noted)

Parameter	Symbol	Limit	Unit
Collector-Base Voltage	V_{CBO}	1050	V
Collector-Emitter Voltage @ $V_{BE}=0V$	V_{CES}	450	V
Emitter-Base Voltage	V_{EBO}	15	V
Collector Current	I_C	2.5	A
Collector Peak Current ($t_p < 5ms$)	I_{CM}	4	A
Base Current	I_B	1.5	A
Base Peak Current ($t_p < 5ms$)	I_{BM}	3	A
Power Total Dissipation @ $T_c=25^\circ\text{C}$	P_{DTOT}	60	W
Maximum Operating Junction Temperature	T_J	+150	$^\circ\text{C}$
Storage Temperature Range	T_{STG}	-55 to +150	$^\circ\text{C}$

Note: Single Pulse. $P_W = 300\mu\text{s}$, Duty $\leq 2\%$

Thermal Performance

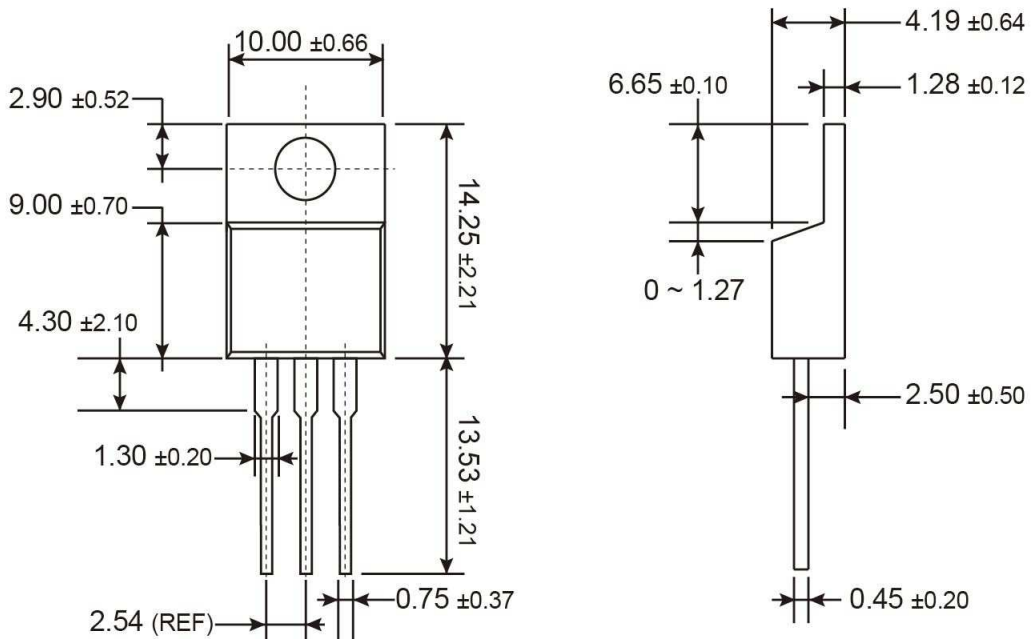
Parameter	Symbol	Limit	Unit
Thermal Resistance - Junction to Case	$R_{\theta_{JC}}$	1.8	$^\circ\text{C/W}$
Thermal Resistance - Junction to Ambient	$R_{\theta_{JA}}$	62.5	$^\circ\text{C/W}$

Electrical Specifications ($T_A = 25^\circ\text{C}$ unless otherwise noted)

Parameter	Conditions	Symbol	Min	Typ	Max	Unit
Static						
Collector-Base Voltage	$I_C = 0.5\text{mA}$	BV_{CBO}	1050	--	--	V
Collector-Emitter Breakdown Voltage	$I_C = 5\text{mA}$	BV_{CEO}	450	--	--	V
Emitter-Base Breakdown Voltage	$I_E = 1\text{mA}$	BV_{EBO}	15	--	--	V
Collector Cutoff Current	$V_{CE} = 400\text{V}, I_B = 0$	I_{CEO}	--	10	250	μA
Collector Cutoff Current	$V_{CB} = 950\text{V}, I_E = 0$	I_{CBO}	--	--	10	μA
Collector-Emitter Saturation Voltage	$I_C = 0.7\text{A}, I_B = 0.14\text{A}$	$V_{CE(SAT)1}$	---	--	0.5	V
Collector-Emitter Saturation Voltage	$I_C = 2\text{A}, I_B = 0.6\text{A}$	$V_{CE(SAT)2}$	---	1.5	2.0	V
Base-Emitter Saturation Voltage	$I_C = 2\text{A}, I_B = 0.6\text{A}$	$V_{BE(SAT)1}$	--	1.0	1.5	V
DC Current Gain	$V_{CE} = 5\text{V}, I_C = 100\text{mA}$	h_{FE1}	50	70	100	
	$V_{CE} = 3\text{V}, I_C = 500\text{mA}$	h_{FE2}	18	24	50	
Resistive Load Switching Time (Ratings)						
Rise Time	$V_{CC} = 5\text{V}, I_C = 0.5\text{A},$	t_r	--	--	1	μs
Storage Time		t_{STG}	2.5	3	3.5	μs
Fall Time		t_f	--	--	1.2	μs

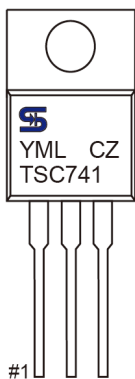
Note: Pulsed duration $\leq 380\mu\text{s}$, duty cycle $\leq 2\%$

TO-220 Mechanical Drawing



Unit: Millimeters

Marking Diagram



- Y** = Year Code
- M** = Month Code
(**A**=Jan, **B**=Feb, **C**=Mar, **D**=Apr, **E**=May, **F**=Jun, **G**=Jul, **H**=Aug, **I**=Sep, **J**=Oct, **K**=Nov, **L**=Dec)
- L** = Lot Code

Notice

Specifications of the products displayed herein are subject to change without notice. TSC or anyone on its behalf, assumes no responsibility or liability for any errors or inaccuracies.

Information contained herein is intended to provide a product description only. No license, express or implied, to any intellectual property rights is granted by this document. Except as provided in TSC's terms and conditions of sale for such products, TSC assumes no liability whatsoever, and disclaims any express or implied warranty, relating to sale and/or use of TSC products including liability or warranties relating to fitness for a particular purpose, merchantability, or infringement of any patent, copyright, or other intellectual property right.

The products shown herein are not designed for use in medical, life-saving, or life-sustaining applications. Customers using or selling these products for use in such applications do so at their own risk and agree to fully indemnify TSC for any damages resulting from such improper use or sale.