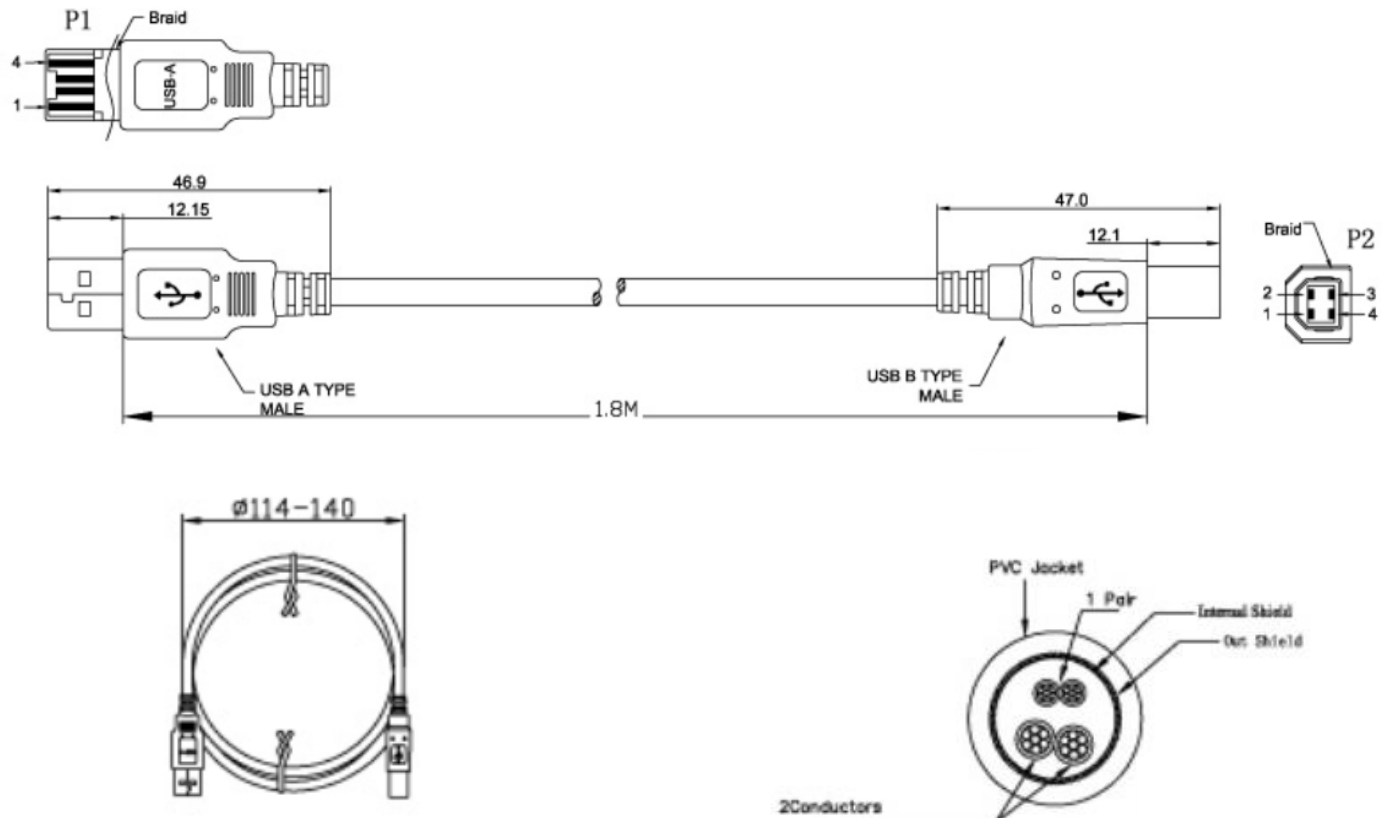


Datasheet

Cable Assembly

RS Stock number: 481-0047



NOTES:

1. WIRE:

REV 1.1 USB CABLE, [28AWG(7/0.121±0.015mm)X1Pair
+ 24AWG(7/0.192±0.015mm)X2Conductor
+Aluminum Mylar+Braiding(50% Coverage); Double Shielded
PVC Jacket OD 4.5±0.2mm, Color:Black

2. PLUG:

P1: USB A TYPE MALE RVE 1.1
P2: USB B TYPE MALE RVE 1.1

3. ELECTRICAL PROPERTIES:

<1>. Conductor Resistance:

Max. 237 ohms/km at 20° C (1Pair 28AWG)
Max. 148ohms/km at 20° C (2Conductor 24AWG)

<2>. Insulation Resistance:

Min. 100 mega ohms/km at 20° C (1Pair & 2Conductor)

<3>. Dielectric Test:

500V AC/1min; No Breakdown (1Pair)
1500V AC/1min; No Breakdown (2Conductor)

<4>. 100% open short & mis wire test (Finished product)