

Product Overview:

- High quality linear PSUs with low noise and ripple DC output
- Designed to provide battery backed DC power for security, access control and related applications
- D437 supports 13.8Vdc 1A max.
- D438 supports 13.8Vdc 2A max.
- D439 supports 27.4Vdc 1A max.
- Powder coated steel case houses PSU and batteries
- Front panel LED indicator confirms AC power present
- Flag output provides low battery signal for external LED
- 2x Ø20mm knockouts top and bottom for wiring access
- Access panel secured with tamperproof security screws



Available from RS Components

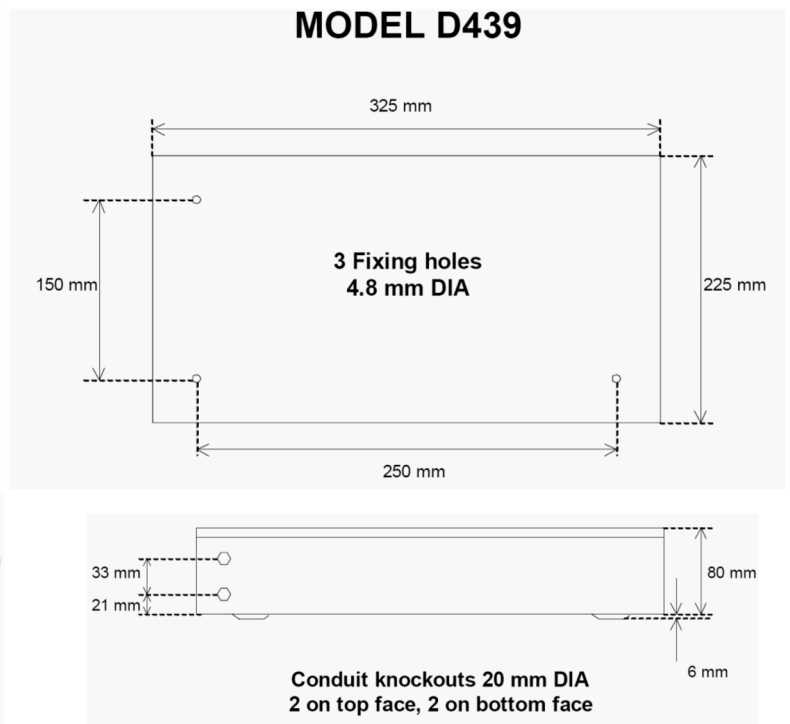
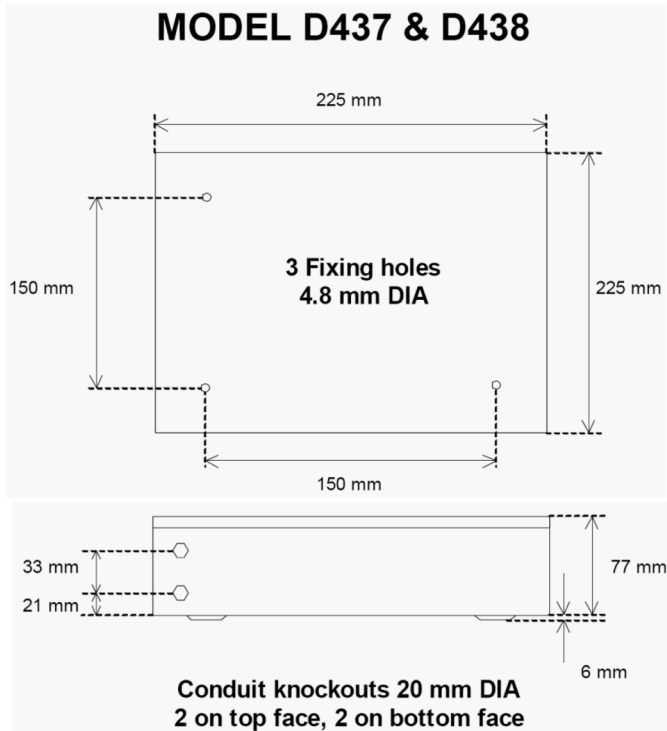
Technical Specification:

	D437	D438	D439
INPUT			
Voltage	115/230Vac ±10%		
IFrequency	50/60Hz		
OUTPUT			
Voltage (float)	13.8Vdc	13.8Vdc	27.4Vdc
Current	1A max.	2A max.	1A max.
Output ripple	<5mV nom.		
Low battery flag level	10.5V nom.		18.4V nom.
Flag drive current	10mA nom.		
DimensionsWeight (ex. Battery)	3.0kg	3.0kg	3.5kg
Battery compartment size	180mm x 70mm 105mm		305mm x 70mm x 105mm
Operating Temperature	0°C to +40°C		
Safety & EMC Standards	EN60950, EN50081-1 & EN50082-1		

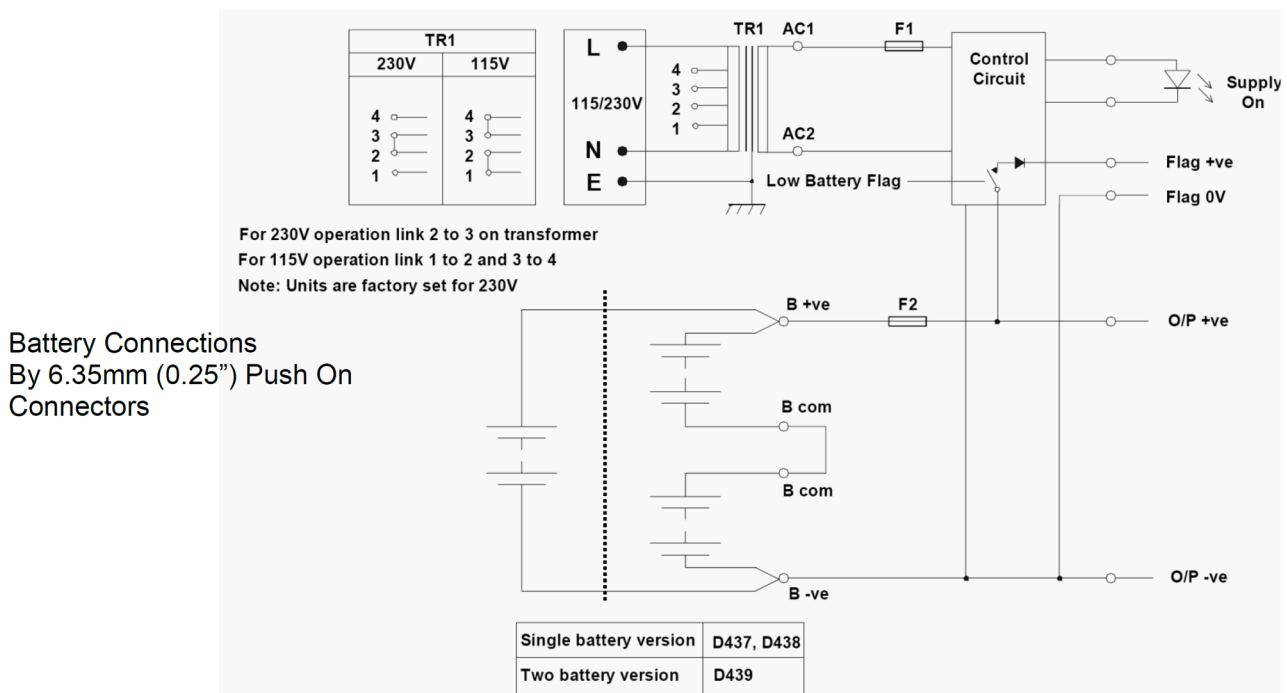
Ordering Information:

Model No.	Devlin Part No.	RS Part No.	Description
D437	PSU-D437-010	RS 537-5208	13.8Vdc 1A max.
D438	PSU-D438-010	RS 537-5214	13.8Vdc 2A max.
D439	PSU-D439-010	RS 537-5220	27.4Vdc 1A max.

Dimensions:



Battery Configuration:



Batteries: (D439 requires 2 batteries)

Voltage	Rating	Yuasa p/n	Weight
12V	3.2Ah	NP 3.2-12	1.17kg
12V	2.0Ah	NP 4-12	1.70kg
12V	6.0Ah	NP 6-12	2.40kg
12V	7.0Ah	NP 7-12	2.65kg

+44 (0)1256 467 367

sales@devlin.co.uk

www.devlin.co.uk