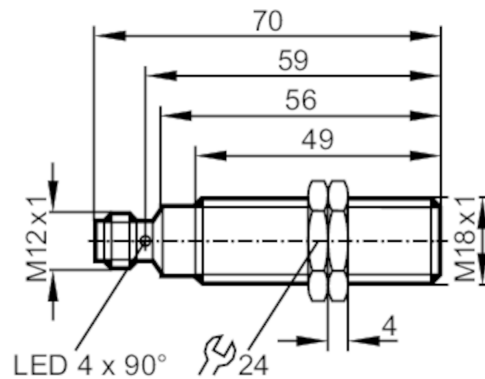


IG5953



Inductive sensor

IGK2008BFRKG/M/2LED/US-104-IRF



Electrical data	
Operating voltage [V]	10...36 DC
Protection class	II
Reverse polarity protection	yes
Outputs	
Output function	normally open / normally closed; (selectable)
Max. voltage drop switching output DC [V]	4.6
Minimum load current [mA]	4
Max. leakage current [mA]	1
Permanent current rating of switching output DC [mA]	100
Switching frequency DC [Hz]	400
Electrical design	PNP/NPN
Short-circuit protection	yes
Type of short-circuit protection	pulsed
Overload protection	yes
Range	
Sensing range [mm]	8
Operating distance [mm]	0...6.48
Increased sensing range	yes
Accuracy / deviations	
Correction factor	steel: 1 / stainless steel: 0.7 / brass: 0.5 / aluminium: 0.4 / copper: 0.3
Hysteresis [% of Sr]	1...20
Operating conditions	
Ambient temperature [°C]	-25...70
Protection	IP 68; ("Coolant")

IG5953



Inductive sensor

IGK2008BFRKG/M/2LED/US-104-IRF

Tests / approvals		
EMC	EN 61000-4-2 ESD	4 kV CD / 8 kV AD
	EN 61000-4-3 HF radiated	10 V/m
	EN 61000-4-4 Burst	2 kV
	EN 61000-4-5 Surge	0,5 kV line to line, Ri: 2 Ohm
	EN 61000-4-6 HF conducted	10 V
	EN 55011	class B
MTTF	[years]	1357

Mechanical data		
Weight	[g]	60
Housing		threaded type
Mounting		flush mountable
Dimensions	[mm]	M18 x 1 / L = 70
Thread designation		M18 x 1
Materials		brass white bronze coated; sensing face: PBT orange

Displays / operating elements		
Display	switching status	4 x 90° LED, yellow
	setting aid	1 x LED, red
Optical setting aid		yes

Accessories		
Accessories (supplied)		lock nuts: 2

Remarks		
Pack quantity		1 pcs.

Electrical connection - plug

Connector: 1 x M12



IG5953



Inductive sensor

IGK2008BFRKG/M/2LED/US-104-IRF

normally open

