



Product Datasheet

# Intrinsically Safe Flashlight

ENGLISH



## Description:

#8902991 is a portable, hand-held intrinsically safe flashlight for use in hazardous locations and can be powered with four size AA alkaline or NiMH cells. It has high and low mode operating functions that allows users to operate for high brightness or long duration lighting.

This device is light weight but sustains high impacts and drops.





**Features:**

- Intrinsically safe for use in hazardous locations
- High and Low mode functions
- Users high power CREE LED
- Tough and durable casing
- High efficient heatsink
- Screw fastener for safety precautions
- Build-in gas release vent

**Certifications:**



Class I Div 1 Grp ABCD / Class II Div 1 Grp EFG

Class III / Temperature Code T4 IP6X

File number: E324236



II 1G Ex ia IIC T4 IP6X

DEMKO 13 ATEX 1302999X

**IECEX**

Ex ia IIC T4 Ga IP6X

IECEX UL 13.0013X



0518



**Standards:**

1. UL 913, Seventh Edition
2. CSA C22.2 No.157-92, Reaffirmed 2012
3. EN 60079-0 : 2009 Edition
4. EN 60079-11 : 2012 Edition
5. EN 60079-26 : 2007 Edition
6. IEC 60079-0 : Fifth Edition
7. IEC 60079-11 : Sixth Edition
8. IEC 60079-26 : Second Edition

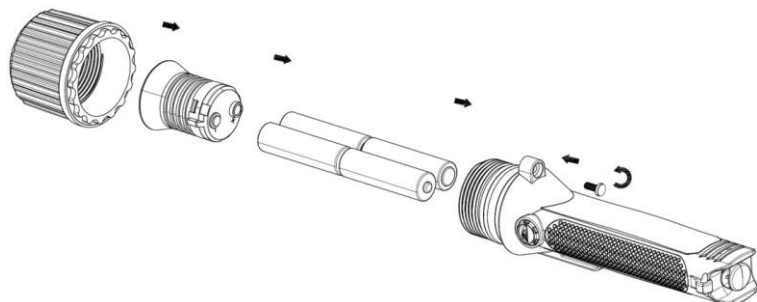
**Optional Accessories:**

- Hand Straps
- Helmet Clamps

**Specification: (Factory Standard)**

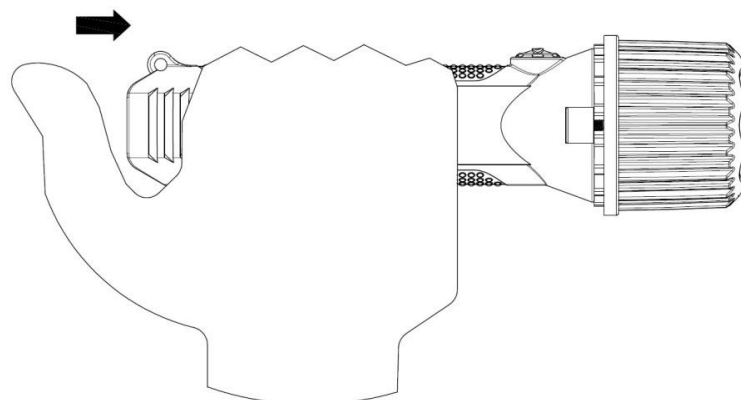
Specs	High mode	Low mode
Light Output	120 lm	31 lm
Run Time	6 hr	69 hrs 10 mins
Beam Distance	172 m	85 m
Drop Resistance	1 meter	
IP Rating	IP67	
Dimension	174 x 47 x 47 mm	
Weight	115 g	

**Installation:**



**Operation:**

Push rear button to operate. The sequence is high and the low mode.



**Battery Replacement:**

Use only battery types below:

Alkaline type

Energizer E91

Duracell MN1500

Rayovac 815

Ansmann 5015548

Ansmann 1502-0002

NiMH type

Energizer NH15-2300



- Warning: Do not open in hazardous locations.
- Warning : To reduce the risk of explosion do not mix new batteries with used batteries, or mix batteries from different manufacturers or from different types.
- Warning : Do not charge NiMH batteries in the flashlight. Charge the NiMH batteries according to the manufacturer's specification.
- Warning : Remove the batteries when unused for a period of time to prevent battery leakage in the device.

**Safety Warnings:**

1. The screw shall be secured tightly after opening and closing of the enclosure.
2. Substitution of components may impair intrinsic safety.
3. Clean the flashlight only with damp cloth to avoid static electricity.
4. Do not flash the light beam directly to human's eyes.
5. Always use the device following the regulations of each country.