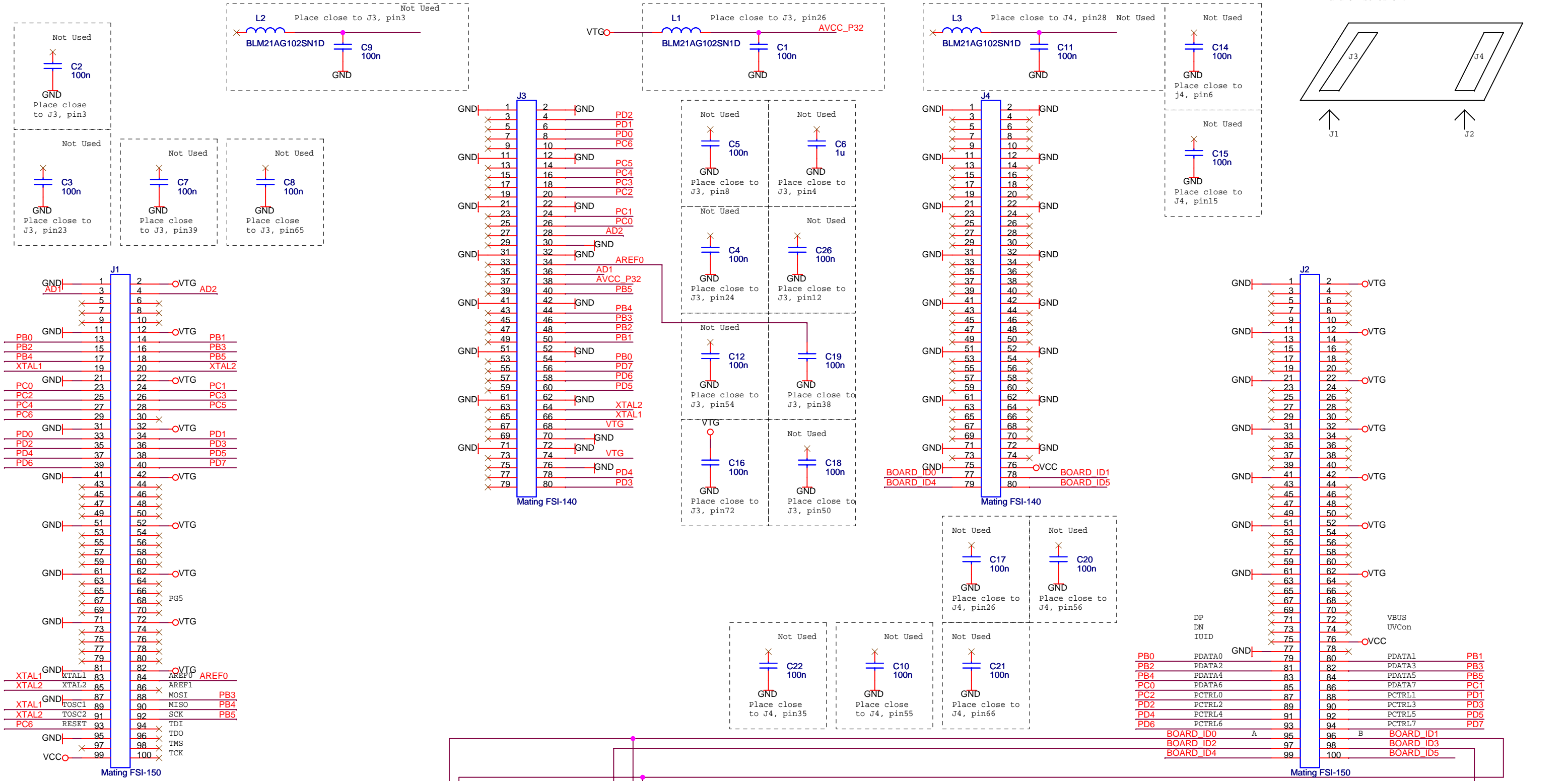
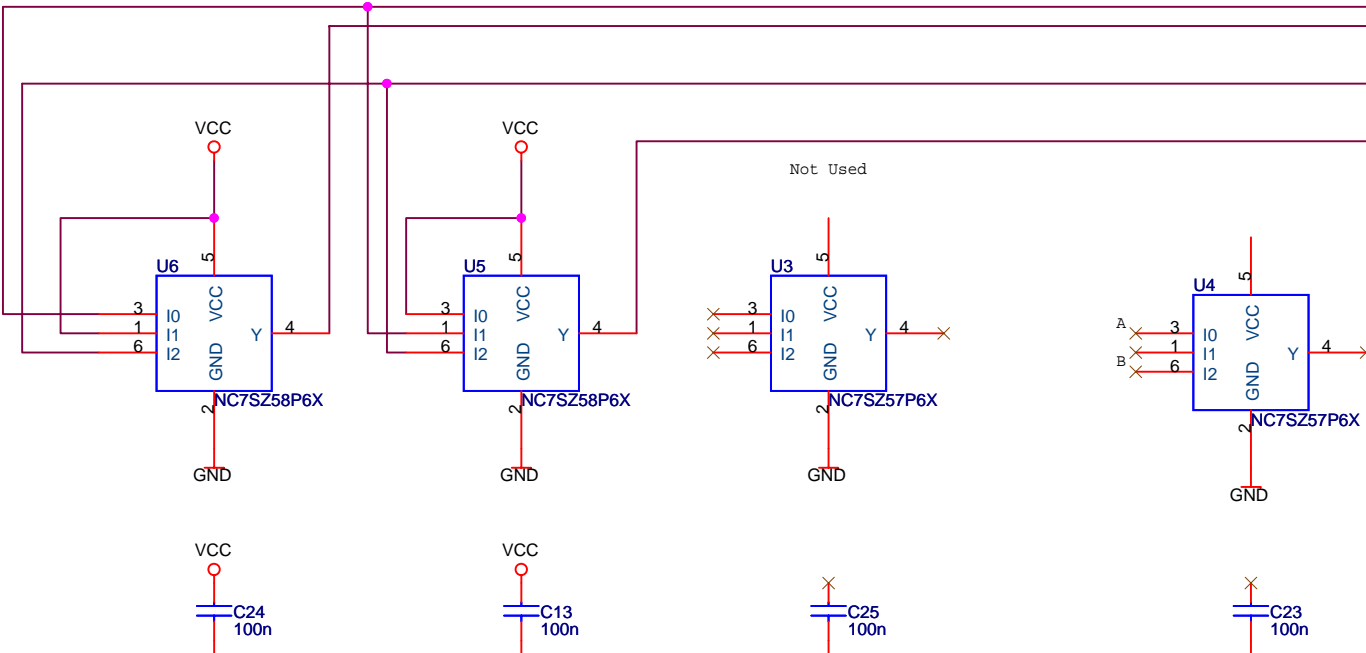
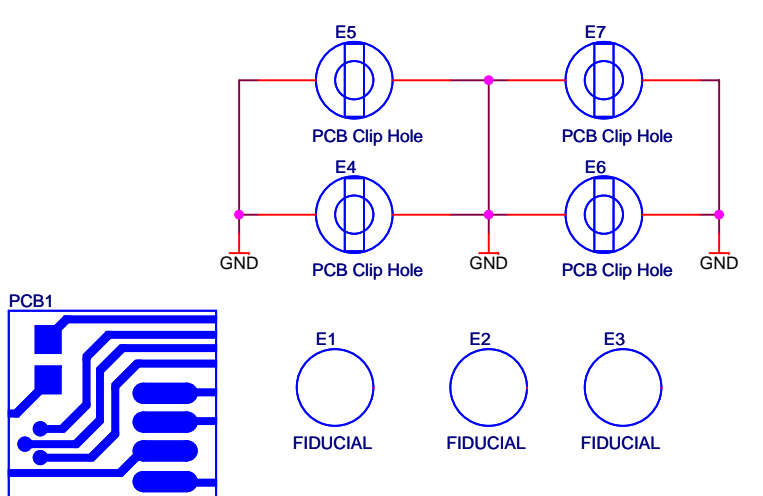
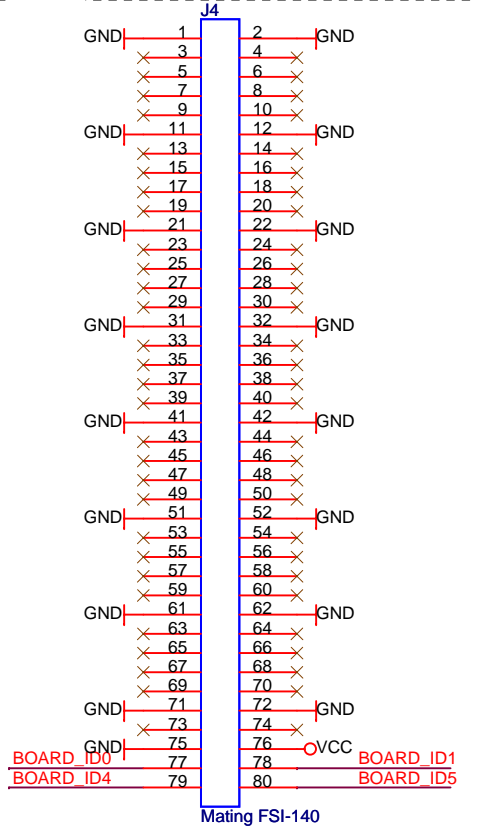
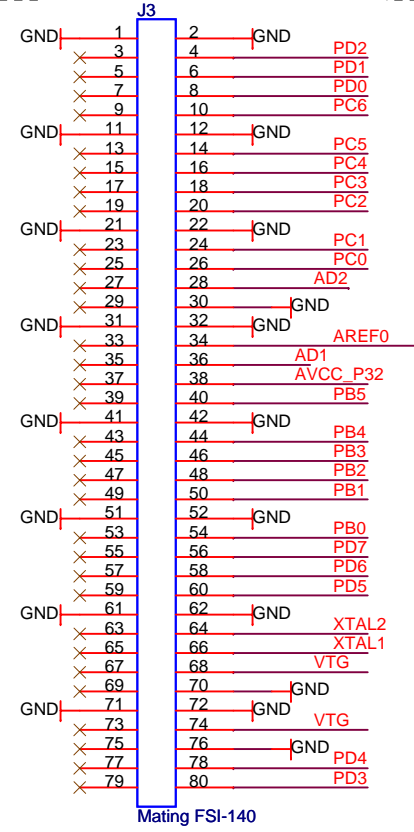
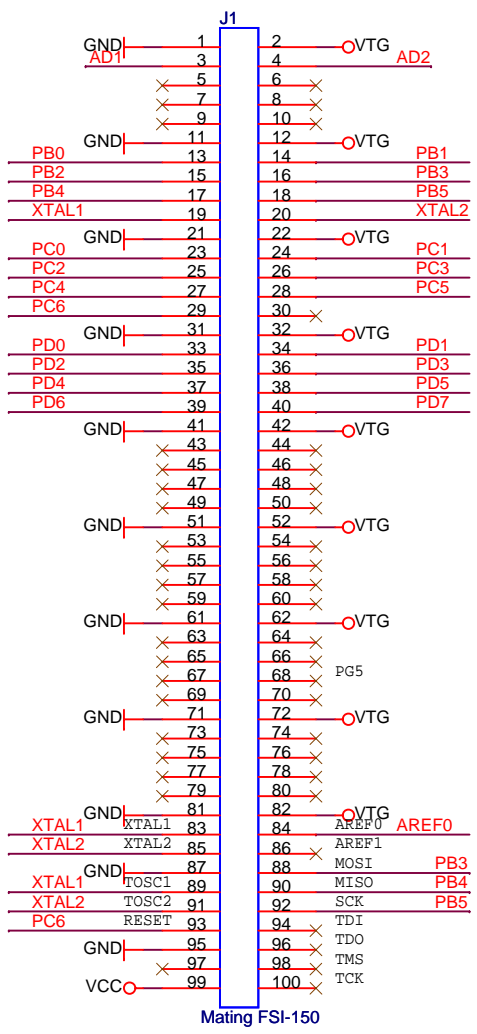
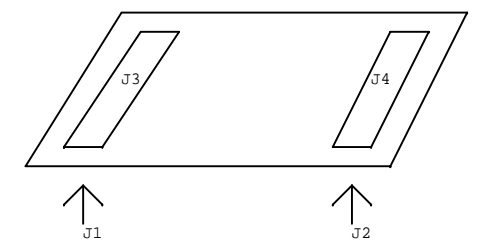


STK600-RC032M-29 (qfp version of RC028M-6)



J3 and J4 mates up to the socket card, while J1 and J2 goes down to the mother board. J1 is physical placed below J3, and J2 below J4.



|           |        |    |           |     |
|-----------|--------|----|-----------|-----|
| PB0       | PDATA0 | 79 | PDATA1    | PB1 |
| PB2       | PDATA2 | 81 | PDATA3    | PB3 |
| PB4       | PDATA4 | 83 | PDATA5    | PB5 |
| PC0       | PDATA6 | 85 | PDATA7    | PC1 |
| PC2       | PCTRL0 | 87 | PCTRL1    | PD1 |
| PD2       | PCTRL2 | 89 | PCTRL3    | PD3 |
| PD4       | PCTRL4 | 91 | PCTRL5    | PD5 |
| PD6       | PCTRL6 | 93 | PCTRL7    | PD7 |
| BOARD_ID0 | A      | 95 | BOARD_ID1 |     |
| BOARD_ID2 |        | 97 | BOARD_ID3 |     |
| BOARD_ID4 |        | 99 | BOARD_ID5 |     |