

Product Information



8478UOO160P63

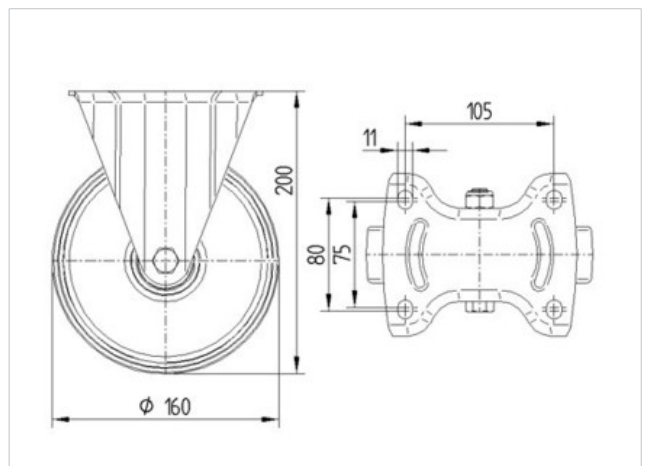
EAN 4031582313413

Fixed castor, Fork made of Stainless Steel, wheel axle with nut, plate fitting.

Wheel centre made of Polyamide, plain bearing

Technical Data

Wheel diameter	160 mm
Width of Tread	40 mm
Size of Plate	137 x 115 mm
Plate hole centres	105 x 80/75 mm
Plate hole	11 mm
Overall height	200 mm
Temperature	- 40 / + 80 °C
Standard	EN 12532
Weight	1.428 kg
Hardness of tread	D 75 Shore
Load capacity	500 kg
Load capacity (static)	1000 kg



Roll performance	+	+	+	+	+
Movement noise	+	+	+	+	+
Attrition	+	+	+	+	+
Corrosion resistance	+	+	+	+	+

Product Information



8478UOO160P63

EAN 4031582313413

