



PRODUCT DATASHEET

Vanessa series

last update 9/5/2014

DETAILS

Product Number	C13459_VANESSA-M
Family	Vanessa
Type	Lens
Color	clear
Diameter	295x16 mm
Height	8 mm
Style	rectang
Optic Material	PMMA
Holder Material	
Fastening	
Status	ready
ROHS Compliant	Yes
Date Updated	9/05/2014



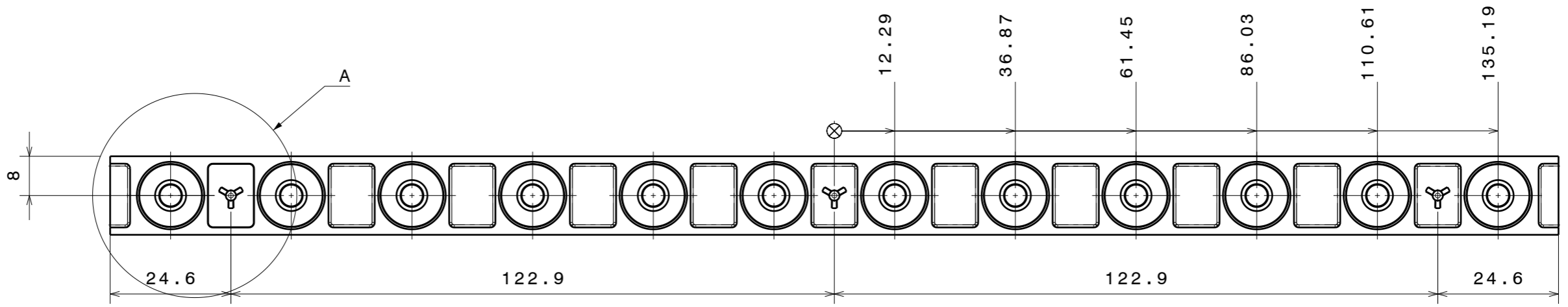
OPTICAL PROPERTIES

LED	Viewing Angle	Light Beam	Efficiency	cd/lm	Connector
NF2x757A	26 deg	Medium	89 %	sim: 0.000	-

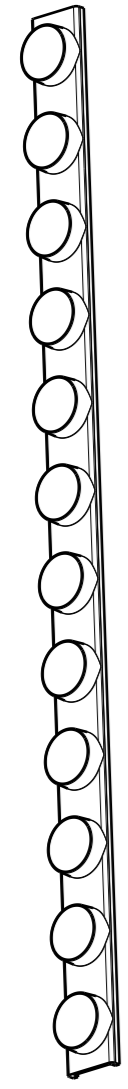
H G F E D C B A

4

4

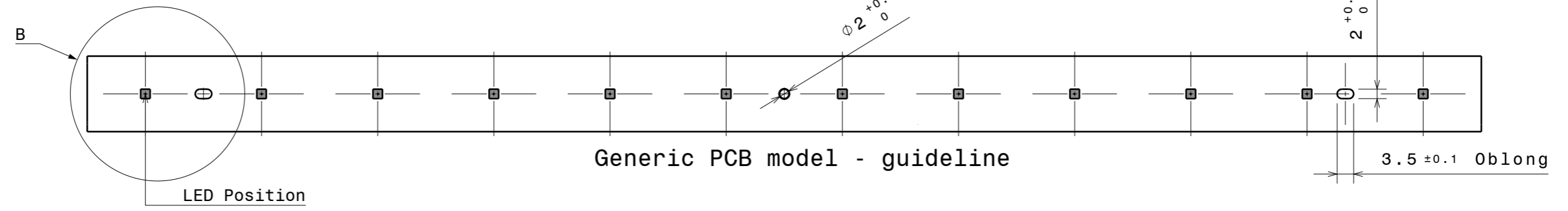
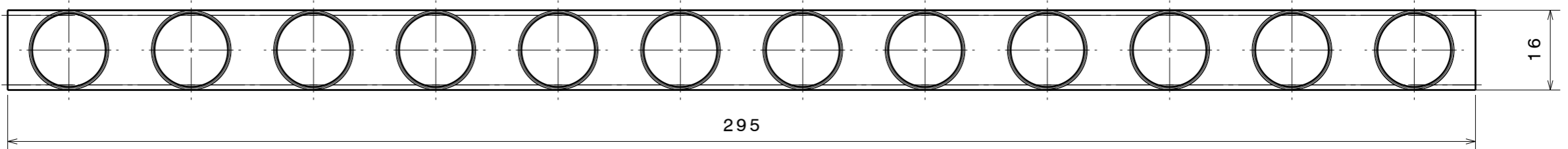
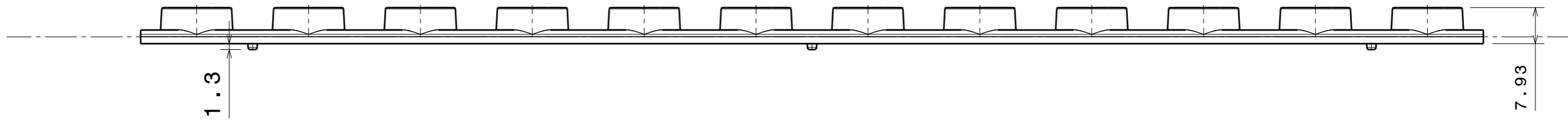


Isometric view
Scale: 1:2



3

3



Generic PCB model - guideline

LED Position

3.5 ± 0.1 Oblong

2

2

INDEX	PART NO	DESCRIPTION	MATERIAL	COLOUR
1	Datasheet	VANESSA	PMMA	Clear



Ledil Oy
Salorankatu 10
FIN 24240 SALO
Finland

Tolerances if not otherwise shown
Linear measures: class C
according to DIN ISO 2768-1
Form and position: class L
according to DIN ISO 2768-2

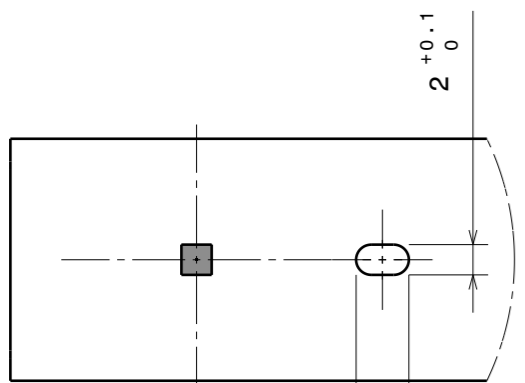
THIRD ANGLE PROJECTION:

DRAWING TITLE
Datasheet_VANESSA

This drawing is the property of LEDiL Oy. It may not be reproduced, copied or communicated without a written agreement with LEDiL Oy."

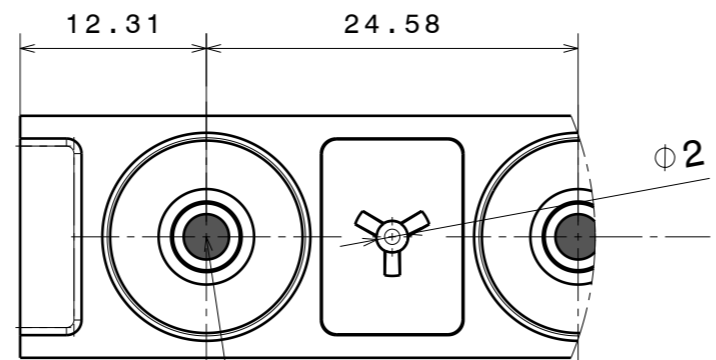
SIZE PART NUMBER
A3 -

SCALE 1:1 WEIGHT (g) SHEET 1/1



Detail B
Scale: 2:1

3.5 ± 0.1 Oblong



LED position
Detail A
Scale: 2:1

1

1

H G B A

NOTE: The typical divergence will be changed by different color, chip size and chip position tolerance. The typical total divergence is the full angle measured where the luminous intensity is half of the peak value.