

HIAX25C07-8/X Extreme Weatherproof Exciter

✓RoHS
COMPLIANT



Features

- Weatherproof - IP67 certified
- Self-adhesive mounting
- 2.7m sheathed lead.
- Impedance: 8Ω
- Dimensions: 70mm x 87.2mm x 18.1mm
- Mass: 122.5g

Applications

- Outdoor environments
- Bathrooms
- Vehicles

Description

The HIAX25C07-8/X audio exciter is a compact, hermetically-sealed electro-dynamic transducer, designed to be attached to a flat surface to produce good quality sound.

It is intended for adverse environments where a conventional loudspeaker or exciter would not be suitable, such as outdoor audio or other applications which are exposed to water, dust etc.

Parameters

Parameter	Description	min	typ	max	Units
R_e	DC resistance	-10%	7.9	+10%	Ohms
L_e	Inductance	-10%	93	+10%	μH
BL	Force factor		3.4		Tm
f_s	Resonance frequency	-20%	1088	+20%	Hz
dDrv	Voice coil diameter		25		mm
M_{ms}	Moving mass		1.17		g
C_{ms}	Compliance		0.018		mmN ⁻¹
R_{ms}	Suspension Loss		1.7		Nsm ⁻¹

Operating conditions

Condition	Value
Continuous power handling (weighted pink noise, IEC268-5)	5W
Burst power handling	>10W
Operating temperature range	-20 to 55° C (TBC)
Audio frequency range	200Hz to 20kHz

Response

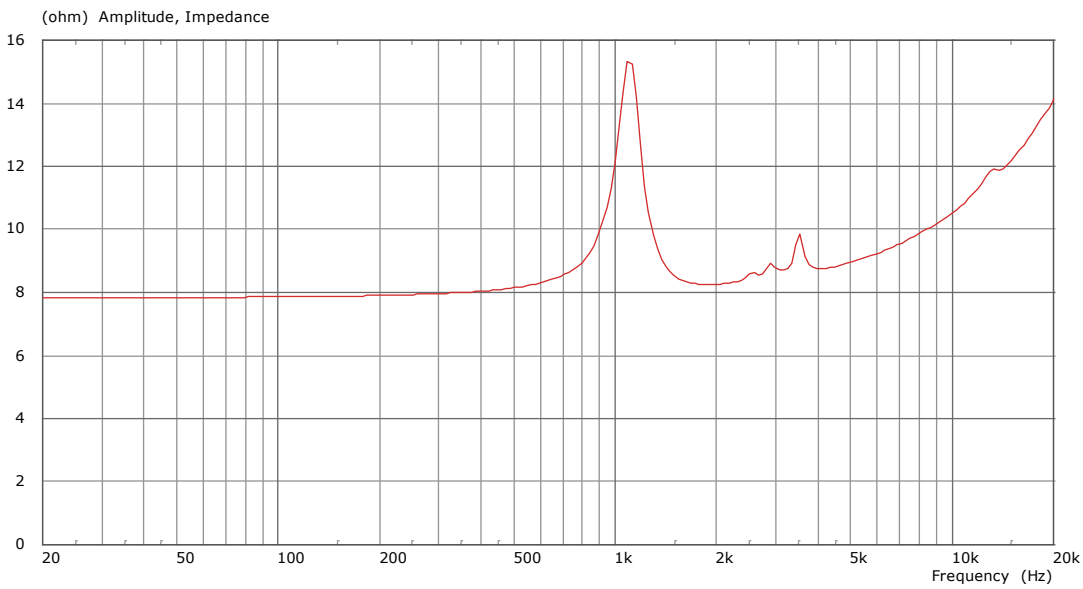


Figure 1. Impedance vs. frequency

Outline Drawing

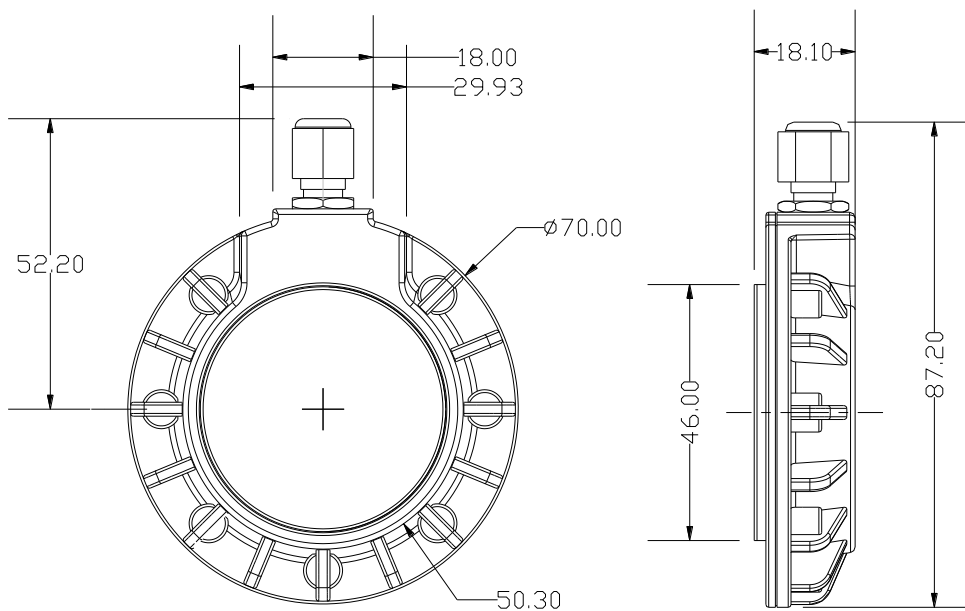


Figure 2. Nominal dimensions