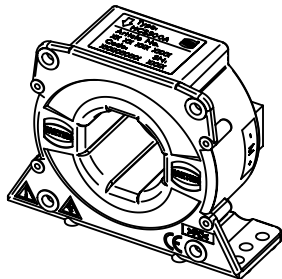
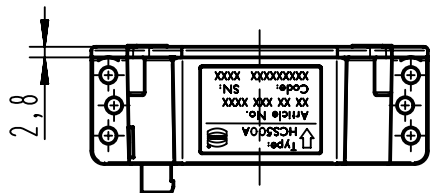
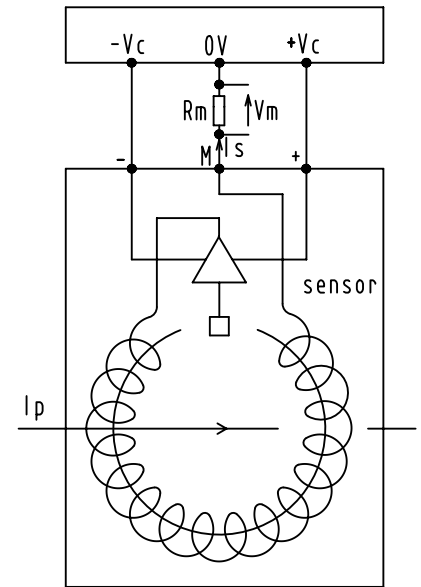
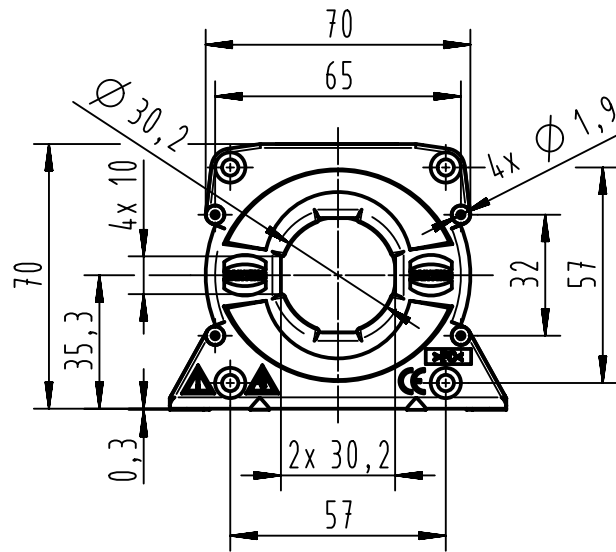
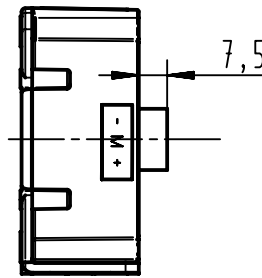
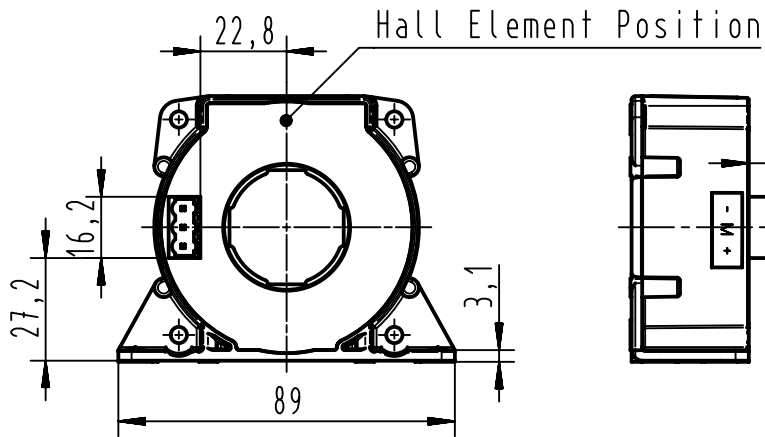


Cable 454399999990007 unmounted included



| | | | | | | | |
|---|--|--|--------------------------|----------------------------|-----------------------------|--|-------------------|
| | All Dimensions in mm Original Size DIN A4 | | Scale 1:2 | Free size tol. | | Ref. | |
| | All rights reserved | | Created by GRUBES | Inspected by HORSTMANNJ | Standardisation TIEMANNA | Date 2012-12-20 | State Approved |
| Department EL PD - DE | | Title Hall Effect current sensor HCS 500A | | | | Doc-Key / ECM-Nr. 100511460/UGD/001/A | |
| HARTING Electric GmbH & Co. KG D-32339 Espelkamp | | Type TB | Number 20 31 050 0201 | | | Rev. A | Page 1/1 |