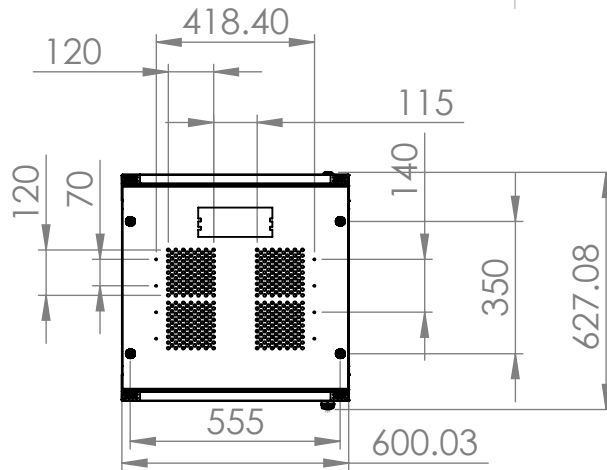
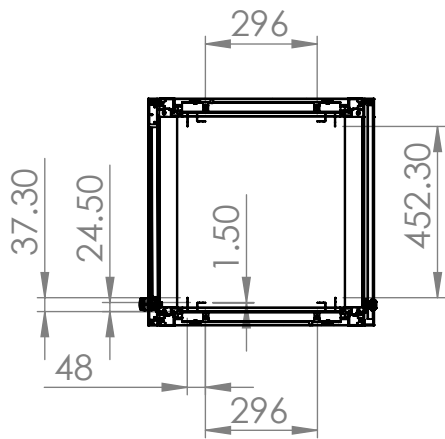
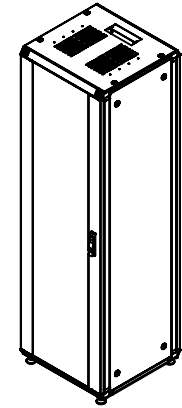


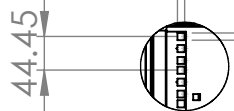
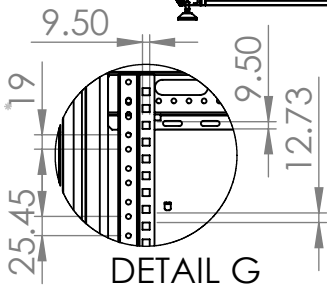
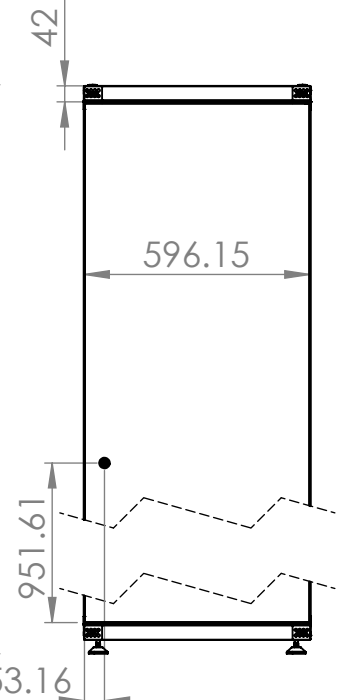
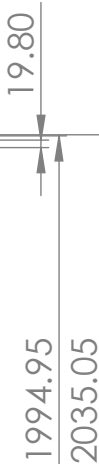
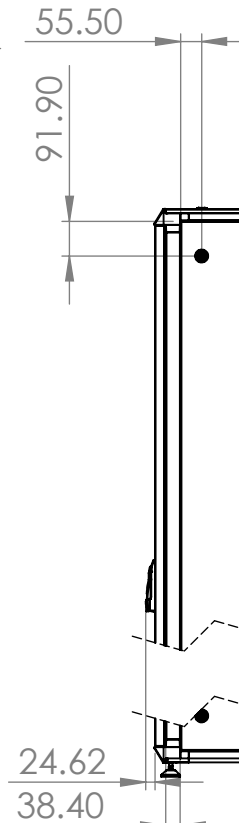
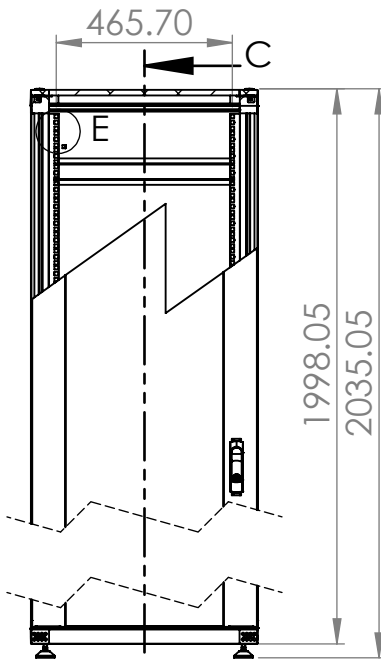
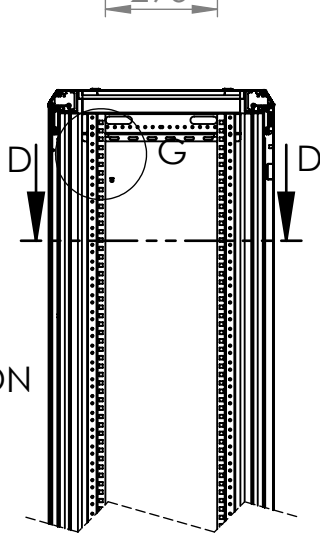
SECTION D-D



ISO VIEW  
1:40



SECTION C-C



DETAIL E

**CAMDENBOSS**  
ELECTRONICS & ENCLOSURES  
JAMES CARTER RD, MILDENHALL, SUFFOLK. IP28 7DE  
TEL: 01638 716101 FAX: 01638 716554  
EMAIL: Sales@CamdenBoss.com  
WEB: www.CamdenBoss.com

UNLESS OTHERWISE SPECIFIED:  
DIMENSIONS ARE IN MILLIMETERS

DO NOT SCALE DRAWING

REVISION. ○

GENERAL TOLERANCES +/- 0.2

TITLE: DIMENSION DRAWING FOR  
CAMRACK LX 42u 600x600

FINISH. PAINTED  
ANTRACITE

DWG NO.

CLX426601

A4

	NAME	SIGNED	DATE
DRAWN	IAN PAGANO	I.P.	26/02/14
CHKD	-	-	-

MATERIAL. VAR

PROJECTION.

SCALE. 1:20

SHEET 1 OF 1