

Front plate - VS-SI-FP-2DSUB25-GC-BU/ST - 1657753

Please be informed that the data shown in this PDF Document is generated from our Online Catalog. Please find the complete data in the user's documentation. Our General Terms of Use for Downloads are valid (<http://phoenixcontact.com/download>)



Front plate with contact inserts, plastic, 2x D-SUB 25, socket/pin



Key Commercial Data

Packing unit	1 pc
GTIN	
GTIN	4046356118699
Weight per Piece (excluding packing)	52.800 g
Custom tariff number	85366990
Country of origin	Taiwan

Technical data

Mechanical characteristics

Number of slots	2
Color	gray
Degree of protection	IP20
Contact insert design	with 2x D-SUB 25 Socket/pin, slot locking UNC 4...40 bolts

Ambient conditions

Ambient temperature (operation)	-10 °C ... 60 °C
---------------------------------	------------------

Material data

Flammability rating according to UL 94	V0
Material	PBT (Front plate)
Height	45 mm

Electrical characteristics

Rated voltage (III/3)	max. 30 V AC (D-SUB, UL-Rating)
Rated current	3 A

Front plate - VS-SI-FP-2DSUB25-GC-BU/ST - 1657753

Technical data

Standards and Regulations

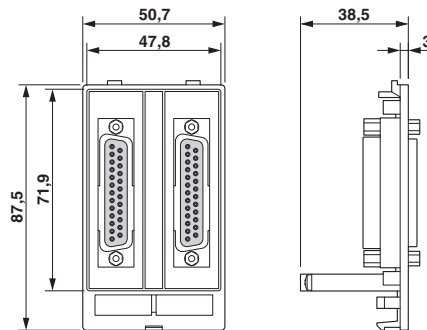
Flammability rating according to UL 94	V0
--	----

Environmental Product Compliance

China RoHS	Environmentally Friendly Use Period = 50
	For details about hazardous substances go to tab "Downloads", Category "Manufacturer's declaration"

Drawings

Dimensional drawing



Dimensional drawing

Classifications

eCl@ss

eCl@ss 4.0	27140816
eCl@ss 4.1	27140816
eCl@ss 5.0	27189239
eCl@ss 5.1	27144000
eCl@ss 6.0	27144000
eCl@ss 7.0	27144001
eCl@ss 8.0	27189217
eCl@ss 9.0	27189217

ETIM

ETIM 2.0	EC000007
ETIM 3.0	EC000007
ETIM 4.0	EC000007
ETIM 5.0	EC000456
ETIM 6.0	EC000456

UNSPSC

UNSPSC 6.01	31261501
-------------	----------

Front plate - VS-SI-FP-2DSUB25-GC-BU/ST - 1657753

Classifications

UNSPSC

UNSPSC 7.0901	31261501
UNSPSC 11	31261501
UNSPSC 12.01	31261501
UNSPSC 13.2	31261501

Accessories

Accessories

Device marking

Snap-in markers - UCT-EM (20X7) - 0801494



Snap-in markers, Sheet, white, unlabeled, can be labeled with: TOPMARK NEO, TOPMARK LASER, BLUEMARK ID COLOR, BLUEMARK ID, BLUEMARK CLED, THERMOMARK PRIME, THERMOMARK CARD 2.0, THERMOMARK CARD, mounting type: snapped into marker carrier, lettering field size: 20 x 7 mm

Marking material

Marker labels - VS-SI-BZ - 1656660



Marker label, plastic, plate with 20 labels