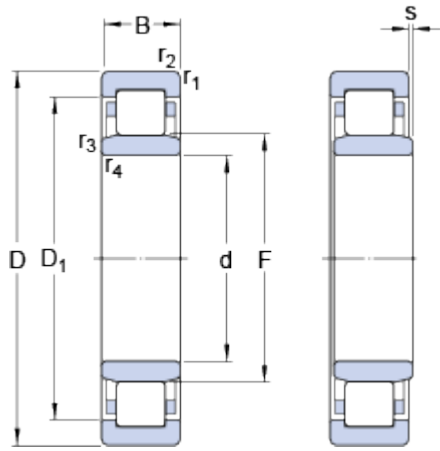


NU 204 ECP

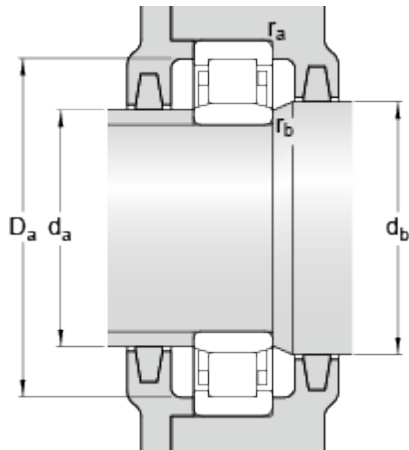
SKF Explorer

Dimensions



d		20	mm
D		47	mm
B		14	mm
D ₁	≈	38.44	mm
F		26.5	mm
r _{1,2}	min.	1	mm
r _{3,4}	min.	0.6	mm
s		1	mm

Abutment dimensions



d _a	min.	24	mm
d _a	max.	25.4	mm
d _b	min.	28	mm
D _a	max.	41.7	mm
r _a	max.	1	mm
r _b	max.	0.6	mm

Calculation data

Basic dynamic load rating	C	28.5	kN
Basic static load rating	C ₀	22	kN
Fatigue load limit	P _u	2.8	kN
Reference speed		17000	r/min
Limiting speed		19000	r/min
Calculation factor	k _r	0.15	

Mass

Mass bearing		0.109	kg
--------------	--	-------	----