


Ordering number C12782_MELODY-4-M

| | | | |
|-----------------|------------|-------------|------------|
| Family | Melody | FWHM | 32 degrees |
| Type | Lens array | Efficiency | 91 % |
| LED | LUXEON A | cd/lm | 2.500 |
| Color | Clear | Gerber File | Available |
| Diameter | 50.6 mm | | |
| Height | 11.9 mm | | |
| Style | Round | | |
| Optic Material | PMMA | | |
| Holder Material | - | | |
| Fastening | Pin, glue | | |
| Status | Ready | | |

Ordering number C13095_MELODY-3-M

| | | | |
|-----------------|------------|-------------|------------|
| Family | Melody | FWHM | 39 degrees |
| Type | Lens array | Efficiency | 93 % |
| LED | LUXEON A | cd/lm | 1.750 |
| Color | Clear | Gerber File | Available |
| Diameter | 50.6 mm | | |
| Height | 11.9 mm | | |
| Style | Round | | |
| Optic Material | PMMA | | |
| Holder Material | - | | |
| Fastening | Pin, glue | | |
| Status | Ready | | |

NOTE: The typical divergence will be changed by different color, chip size and chip position tolerance. The typical total divergence is the full angle measured where the luminous intensity is half of the peak value.



PRODUCT DATASHEET

Melody series

last update 8/12/2012

PHILIPS
LUMILEDS

GENERAL INFORMATION

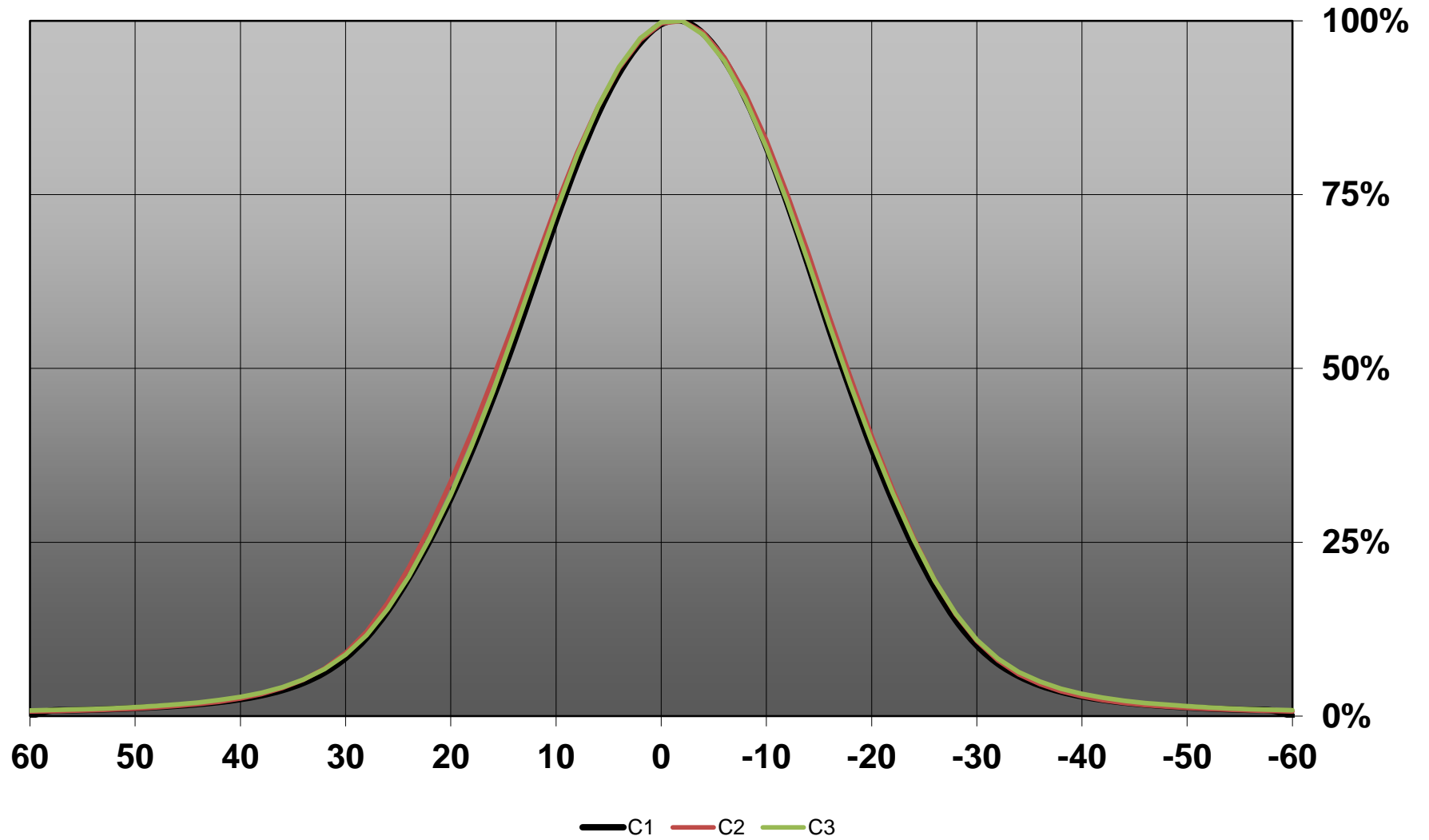
- Product series especially designed & optimized for LUXEON A series of LEDs.
- Special care taken to make light distribution as uniform as possible.
- Lens material optical grade PMMA with high UV and temperature resistance. Allows use of high current and temperature conditions.

Please find more information about used material from below:

http://ledil.fi/sites/default/files/Documents/Technical/Material/PMMA%20N%20UL94_Yellow%20Card.pdf

<http://ledil.fi/sites/default/files/Documents/Technical/Material/PMMA%20N%20PLEXIGLAS-Datasheet.pdf>

Relative intensity of C12782_MELODY-4-M-LuxA

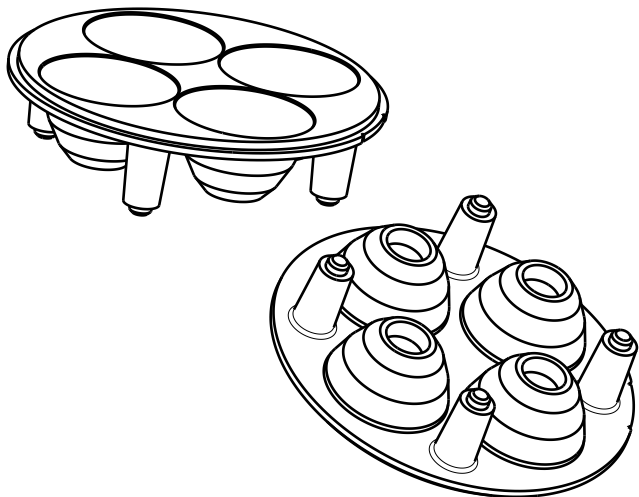


D

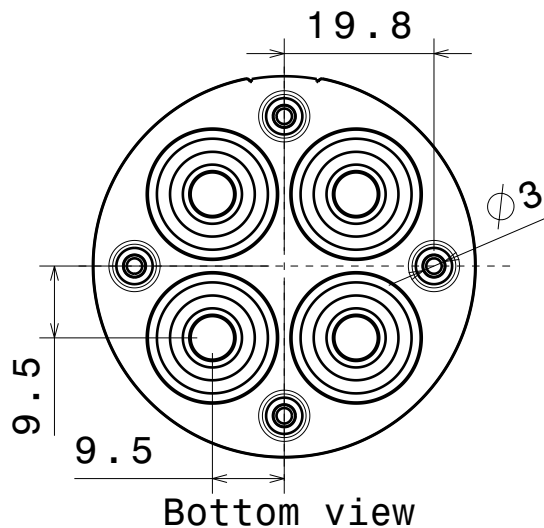
C

B

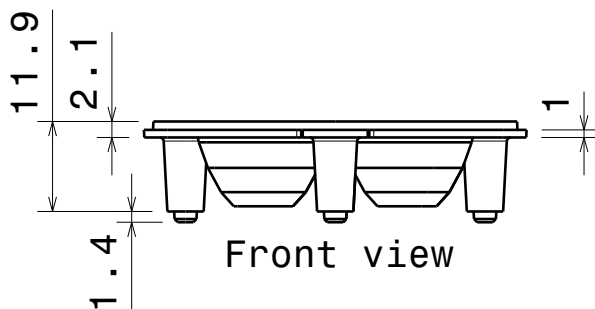
A



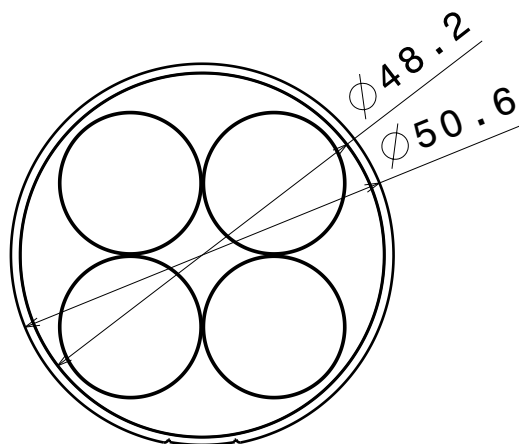
Isometric view



Bottom view



Front view



Top view

Material: PMMA

Tolerances for dimensions:
 0-20mm tolerance value $\pm 0.1\text{mm}$
 21-45mm tolerance value $\pm 0.2\text{mm}$
 46-90mm tolerance value $\pm 0.3\text{mm}$
 91-100mm tolerance value $\pm 0.4\text{mm}$
 101-mm tolerance value $\pm 0.5\text{mm}$

This drawing is our property.
 It can't be reproduced
 or communicated without
 our written agreement.



Ledil Oy
 Salorankatu 10
 FIN 24240 SALO
 Finland

DRAWING TITLE

Datasheet MELODY-4 series

DRAWN BY

mav

DATE

18.04.2012

CHECKED BY

sn

DATE

18.04.2012

SIZE

A4

DRAWING NUMBER

-

REV

1

DESIGNED BY

mav

DATE

06.03.2012

SCALE

1:1

WEIGHT (g)

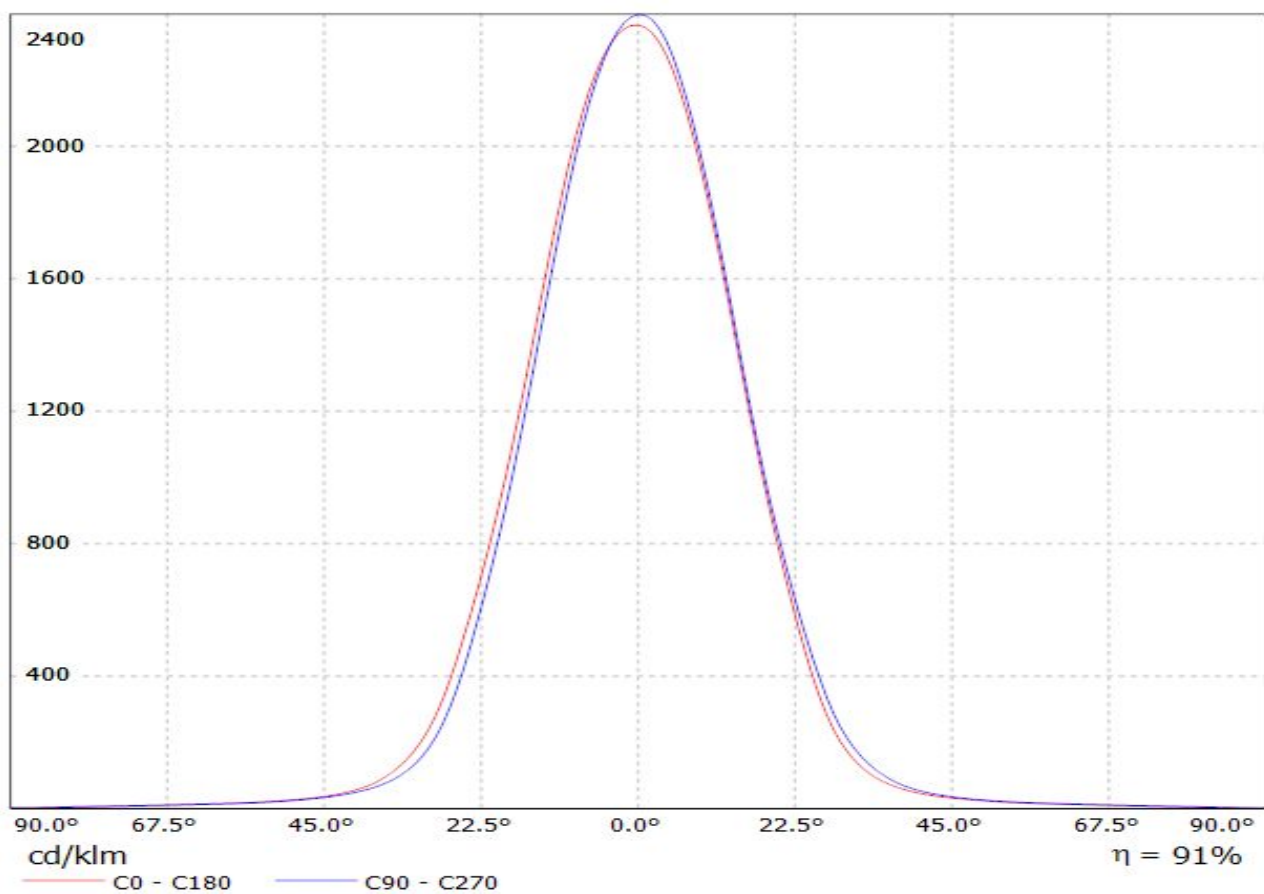
SHEET

1 / 1

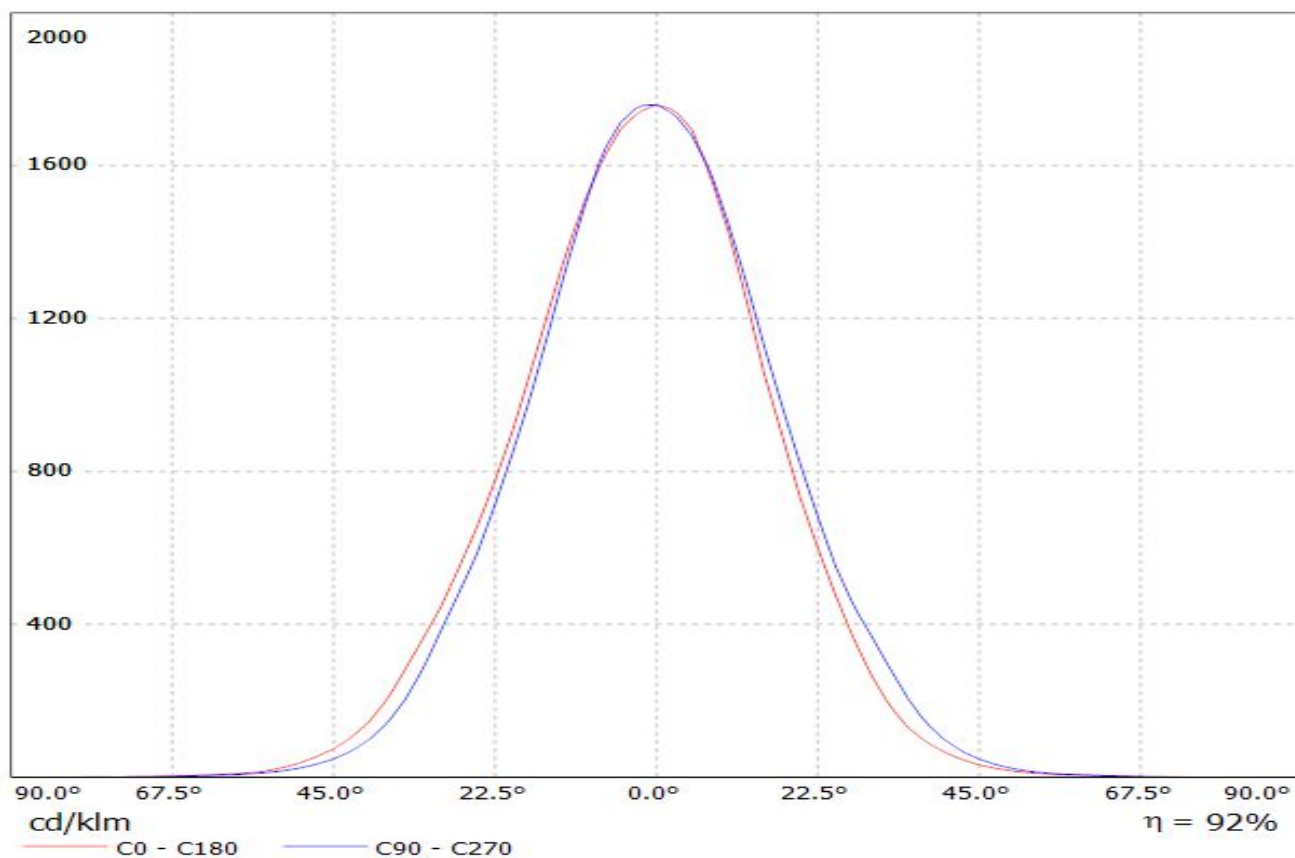
D

A

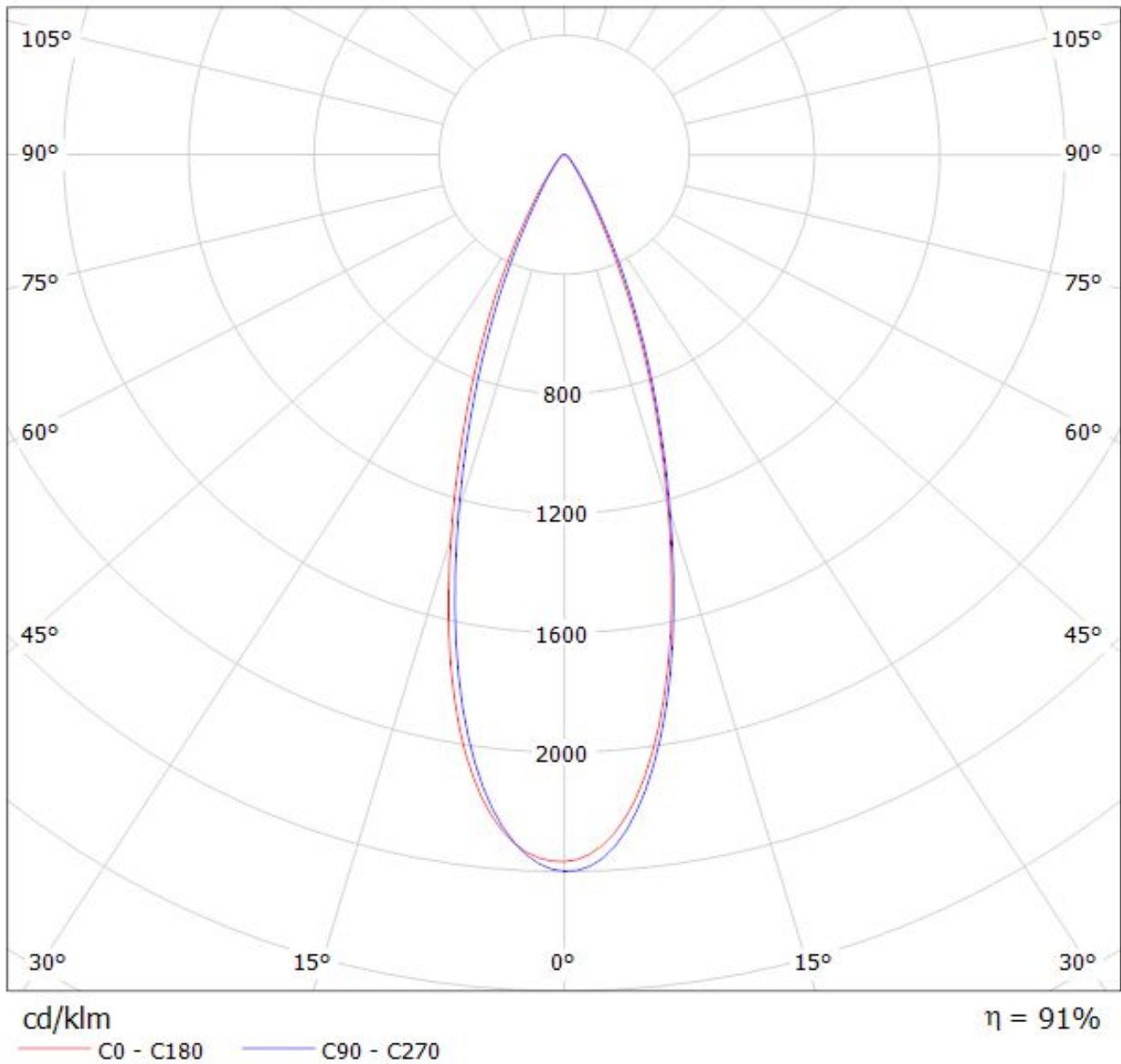
Luminaire: LEDIL OY C12782_MELODY-4-M (Luxeon A) Efficiency=92%
Lamps: 1 x Luxeon A MELODY (267lm @ 250mA)



Luminaire: LEDiL C13095_MELODY-3-M_(Luxeon_A) Eff.93%
Lamps: 1 x Luxeon A (193lm@250mA)



Luminaire: LEDIL OY C12782_MELODY-4-M (Luxeon A) Efficiency=92%
Lamps: 1 x Luxeon A MELODY (267lm @ 250mA)



Luminaire: LEDiL C13095_MELODY-3-M_(Luxeon_A) Eff.93%
Lamps: 1 x Luxeon A (193lm@250mA)

