
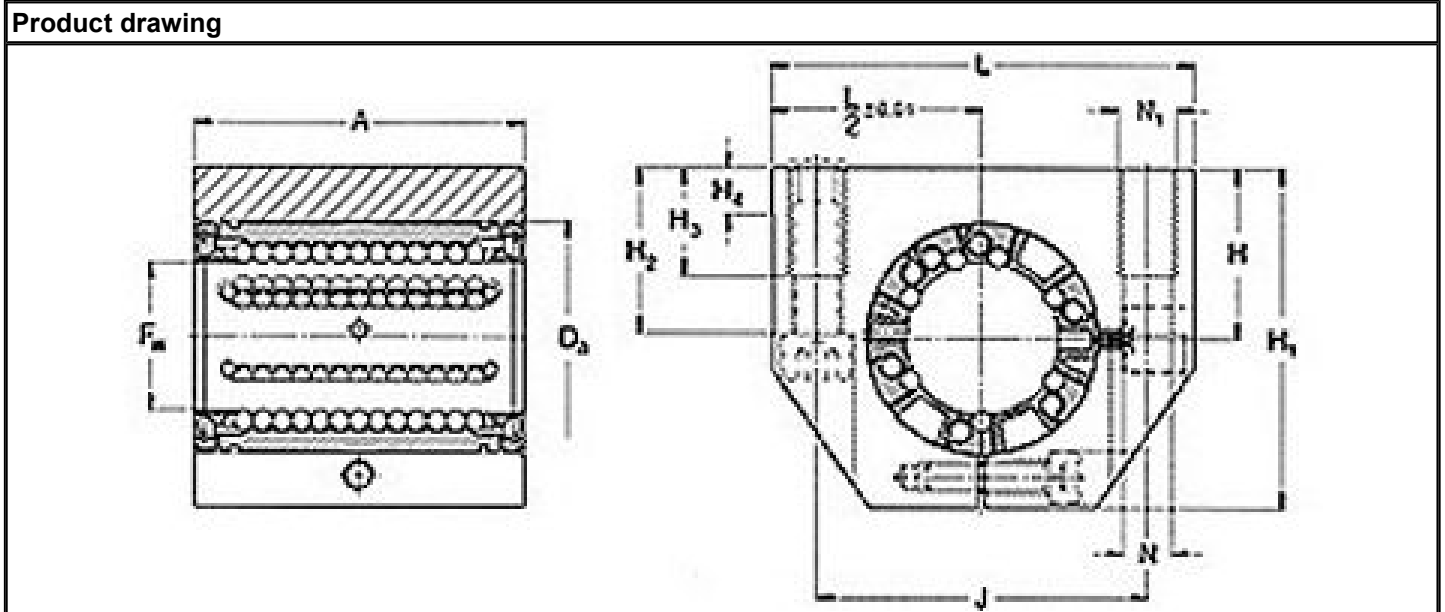


## Web product datasheet

Product details		
	<b>Name :</b> Linear ball bearings <b>Designation :</b> LUNE 12-2LS	SKF Linearsysteme GmbH



Product specifications			
Product Group	Linearballbearing	FW/d [mm] (shaft diameter)	12
D [mm] (outer diameter)	22	C [N] (dynamic load)	1080
Co [N] (static load)	815	weight [kg]	0.1
A [mm] (Unit length)	32	H [mm] (height center to ground)	18
H2 [mm] (screw depth)	16.5	H3 [mm] (thread depth)	11
L [mm] (width)	43	J [mm] (screw distance)	32
J1 [mm] (Screw distance length)	23	N [mm] (screw hole diameter)	4.3
N1 (thread)	M 5	(Number of bearing)	single
(Seal)	2	(Type of bearing)	closed
(Self-aligning)	yes	(Stainless)	no
H4 [mm] (height reference plane)	6		