

DETAILS

Product Number	C10973_GT4-W
Family	Gt4
Type	Lens array
Color	clear
Diameter	35 mm
Height	9 mm
Style	round
Optic Material	PMMA
Holder Material	
Fastening	pin, glue
Status	ready
ROHS Compliant	Yes
Date Updated	8/03/2014



OPTICAL PROPERTIES

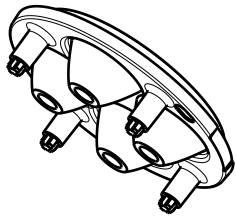
LED	Viewing Angle	Light Beam	Efficiency	cd/lm	Connector
NVSxx19A	sim: 38	Wide	-	-	-
NCSxx19A	36 deg	Wide	-	-	-
LUXEON Rebel	38 deg	Wide	92 %	sim: 0.000	-

D

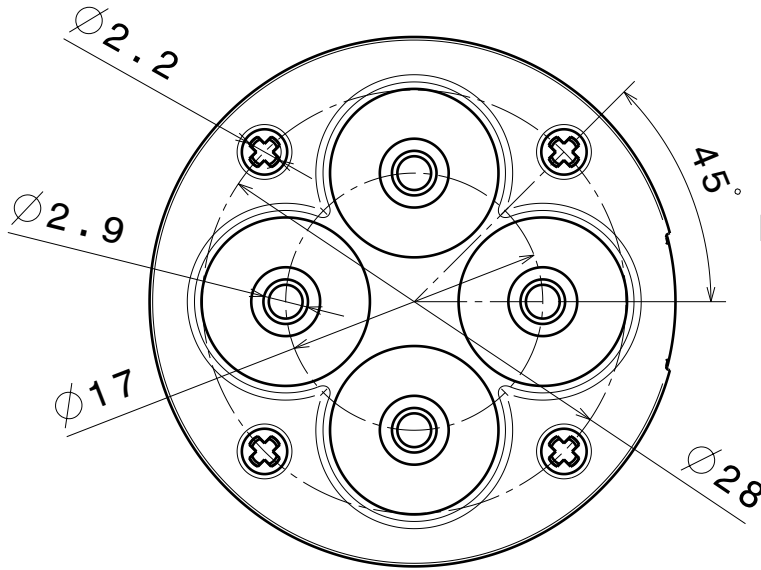
C

B

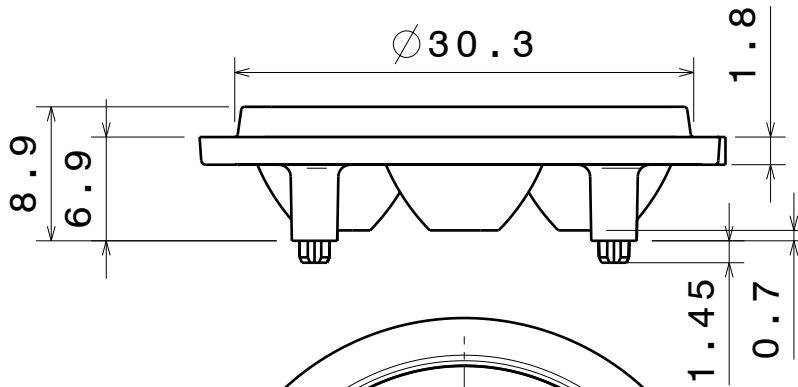
A



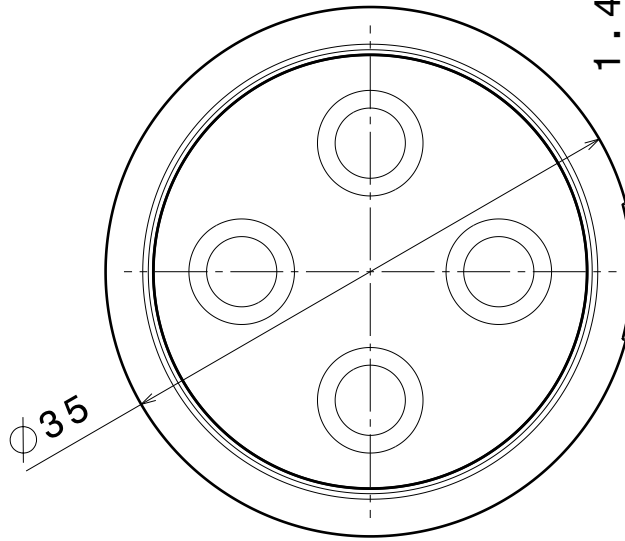
Isometric view
Scale: 1:1



Bottom view



Front view



Top view

Material: PMMA

This drawing is our property.
It can't be reproduced
or communicated without
our written agreement.



L
T
F
F

e
e
i
i
N
n

d

h

DRAWING TITLE

Datasheet GT4-RE series Lens

DRAWN BY

DATE

03.08.2009

CHECKED BY

DATE

03.08.2009

DESIGNED BY

DATE

23.07.2009

SIZE

A4

DRAWING NUMBER

C10971

REV

1

SCALE

2:1

WEIGHT (g)

SHEET

1/1

D

A

4

4

3

3

2

2

1

1

NOTE: The typical divergence will be changed by different color, chip size and chip position tolerance. The typical total divergence is the full angle measured where the luminous intensity is half of the peak value.