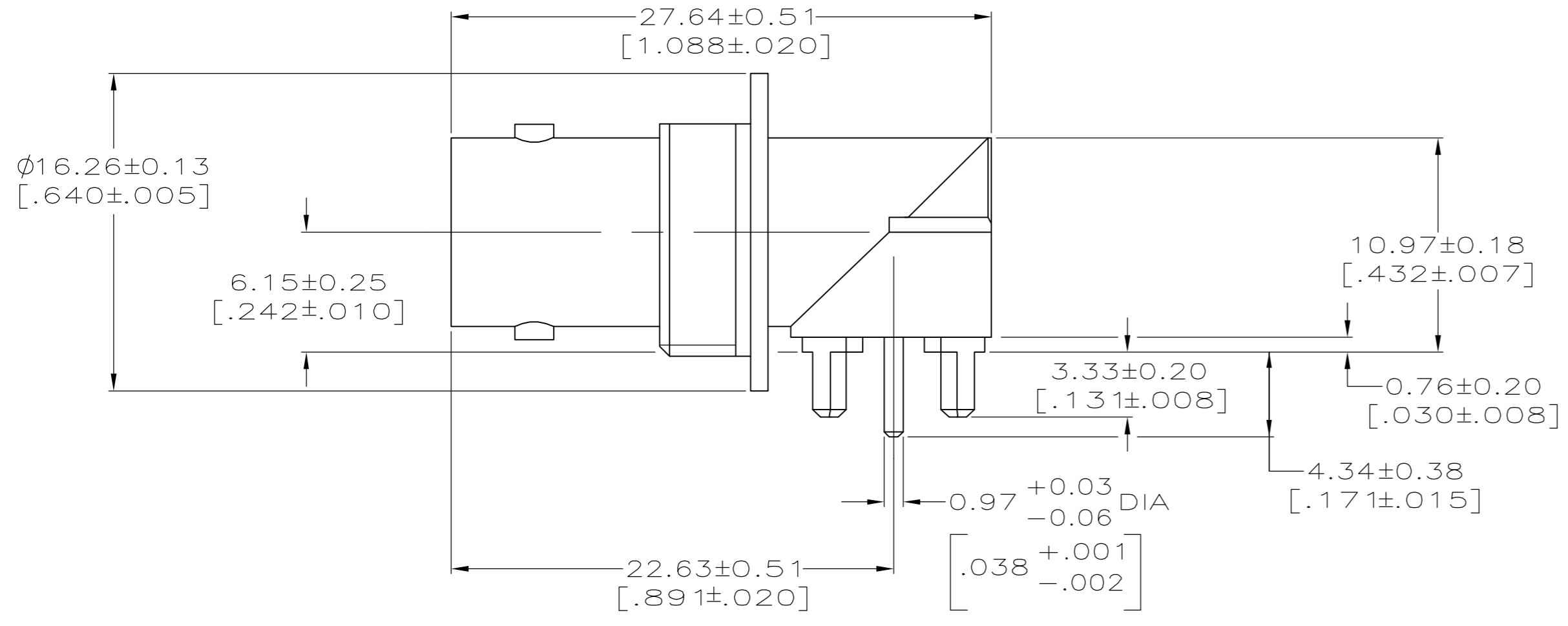
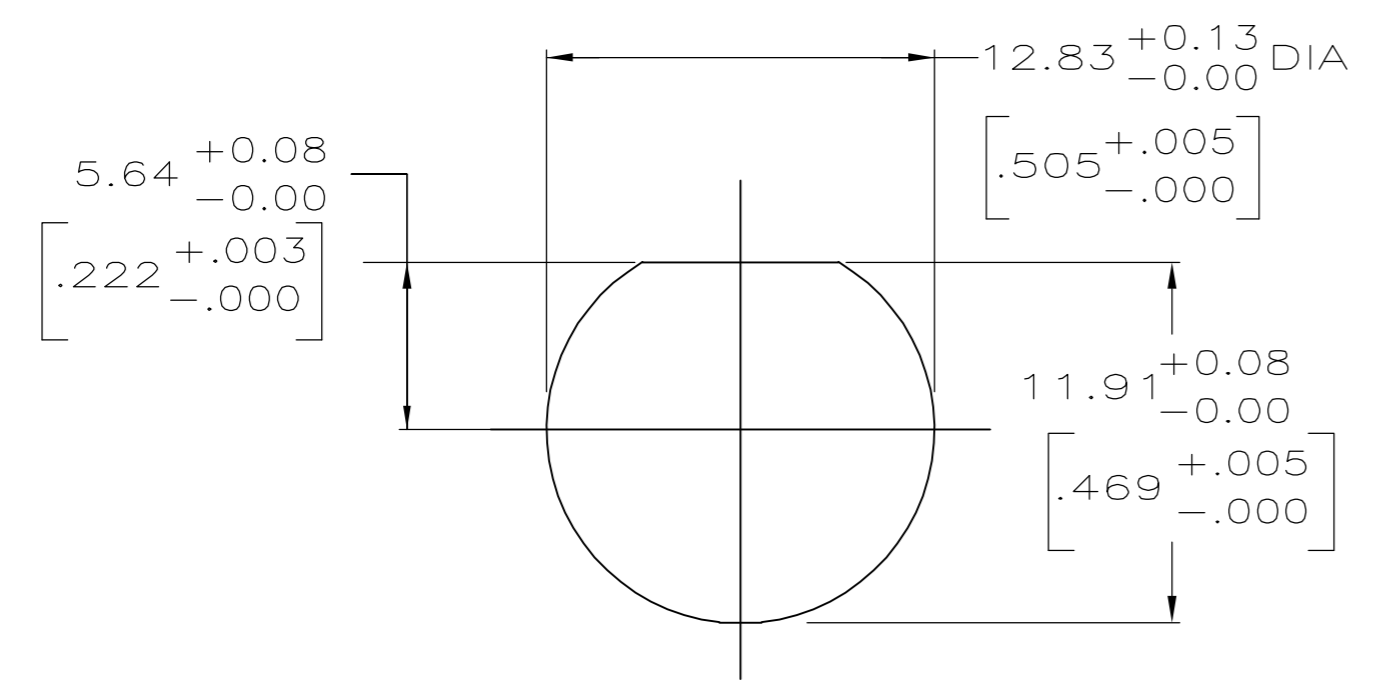
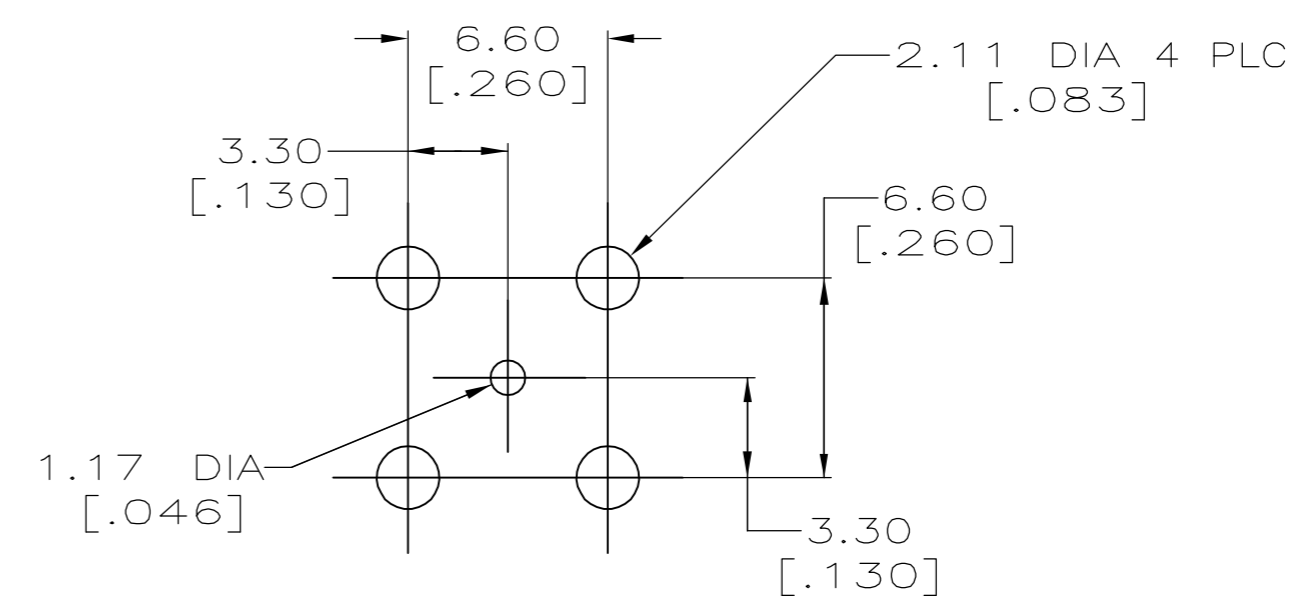
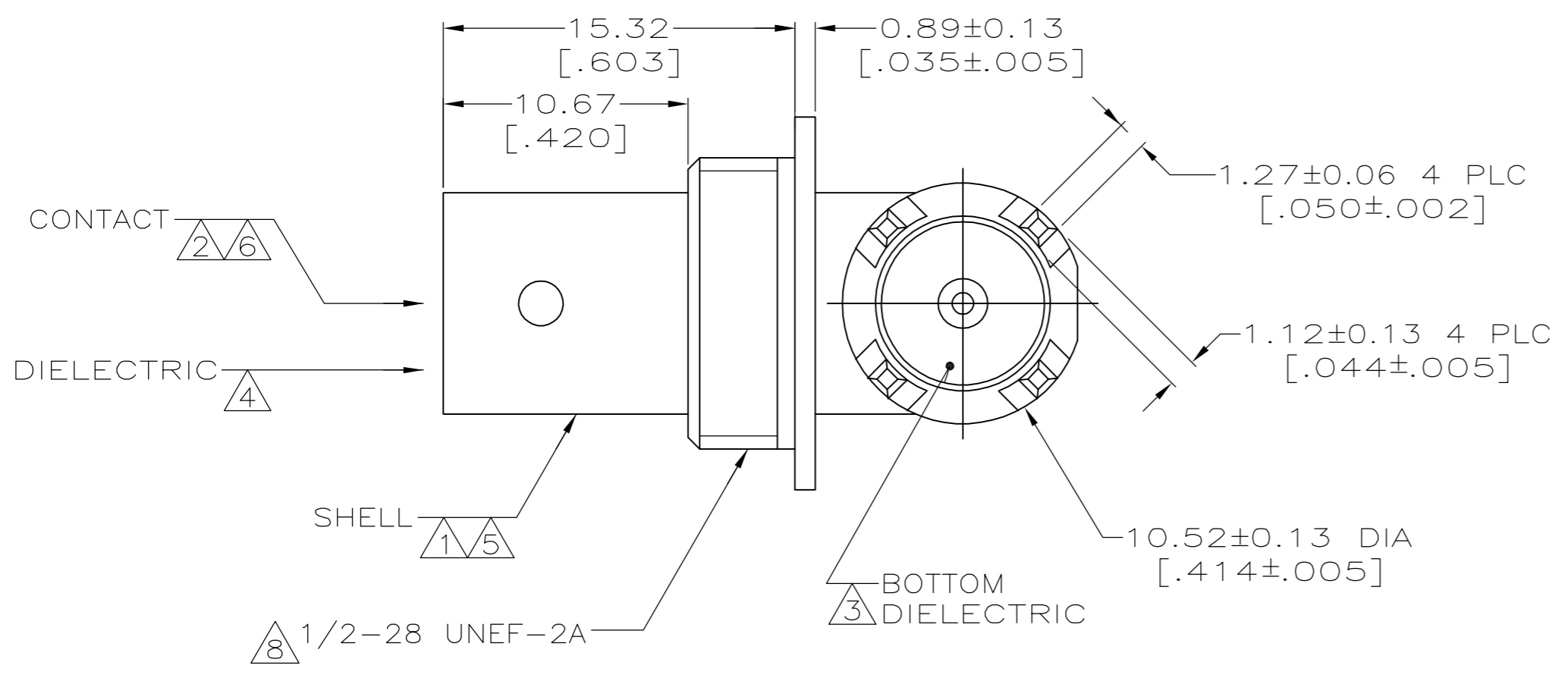


THIS DRAWING IS UNPUBLISHED. RELEASED FOR PUBLICATION  
 © COPYRIGHT BY TYCO ELECTRONICS CORPORATION. ALL RIGHTS RESERVED.

LOC	DIST	REVISIONS			
P	LTR	DESCRIPTION	DATE	DWN	APVD
AJ	00	A	REV PER ECO 06-024121	1/29/2007	DW JL



- ① ZINC PER QQ-Z-363
- ② BERYLLIUM COPPER PER ASTM-B-197
- ③ PTFE PER MIL-P-19468
- ④ POLYMETHYLPENTENE, GENERAL PURPOSE
- ⑤ TIN PLATE PER ASTM-B-545, 3.81  $\mu$ m [.000150] MIN THICK.
- ⑥ GOLD PLATE PER MIL-G-45204, 0.76  $\mu$ m [.000030] MINIMUM THICKNESS
- ⑦ INTERFACE PER MIL-C-39012
- ⑧ MODIFIED MAJOR DIAMETER TO 12.29 [.484]



RECOMMENDED PANEL CUTOUT

PCB CONFIGURATION

5415373-1  
 PART NUMBER

THIS DRAWING IS A CONTROLLED DOCUMENT.		DWN G. ATTADIA - DOCK5 01FEB2005	tyco Electronics		Tyco Electronics Corporation Harrisburg, PA 17105-3608	
DIMENSIONS: mm [INCHES]		CHK J. HAVENER 01FEB2005	NAME JACK, PCB, RIGHT ANGLE, 75 OHM, BNC			
TOLERANCES UNLESS OTHERWISE SPECIFIED:		APVD J. LIPPERT 01FEB2005	PRODUCT SPEC			
0 PLC ± -		APPLICATION SPEC				
1 PLC ± -		WEIGHT				
2 PLC ± 0.08 [.003]		SCALE				
3 PLC ± -		SIZE				
4 PLC ± -		CAGE CODE				
ANGLES ± -		DRAWING NO				
FINISH		RESTRICTED TO				
SEE NOTES		MATERIAL		A2 00779 C=5415373		
SEE NOTES		CUSTOMER DRAWING		SHEET 1 of 1		
		SCALE 4:1		REV A		