

# Datasheet

## Medium Open Reel

RS Stock number 889-2494



### Description:

Standard(s): EN 61242

Maximum Load: 10A: Wound Wattage = 900W/230V, Unwound Wattage = 2,300W/230V  
16A: Wound Wattage = 1,000W/230V, Unwound Wattage = 3,000W/230V

Switch Specification: 16A 125V/250V~

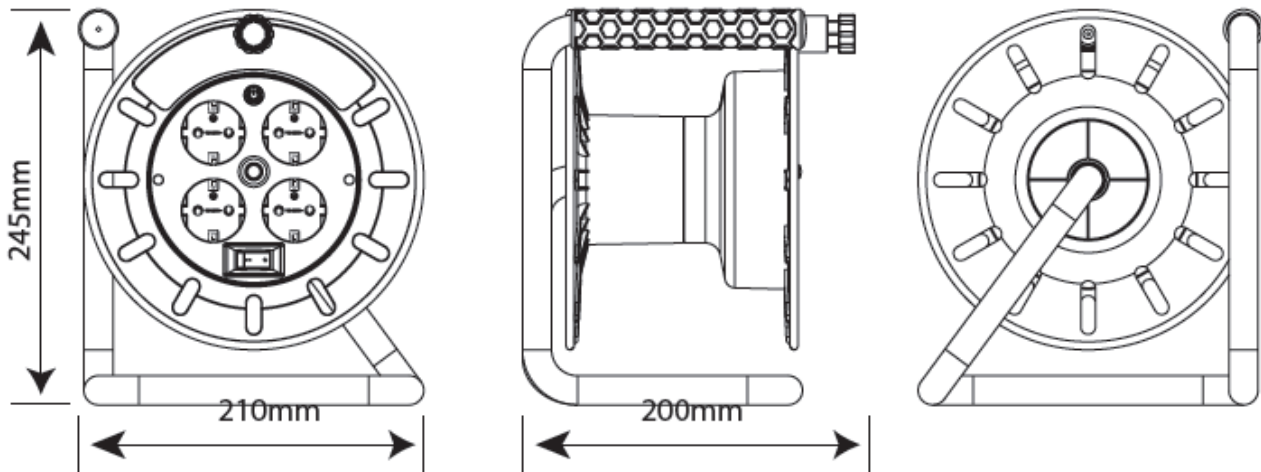
Thermal cut-out:  $56 \pm 5$  °C

Max cable length: H05VV-F 10A(1.0mm<sup>2</sup>) = 40m, H05VV-F 16A(1.5mm<sup>2</sup>) = 30m

### Product Information

Part No: 889-2494  
Type: Medium Open Reel  
Cable Type: H05VV-F  
Cable Length (m): 25  
Amp: 16  
Product Dimensions: H:24.5 x W:21 x D20  
(Inch/cm)

## Line Diagram:



### Features

- Robust open reel, with four Schuko type sockets
- Space saving style
- Thermal cut-out protection
- Power on/off switch
- Power LED indicator
- Manufactured to EN 61242