



GE  
Lighting



## LED Energy Smart™ Candle Dimmable

LED4.5D/B35/827/B22/220-240V/FR

# 98213

---

### Product information

GE LED Energy Smart™ Candle Dimmable Lamps offer fantastic energy savings vs traditional lamps and are perfect for long-burn areas in hospitality and residential applications. They offer a very broad coverage of market requirements, as well as dimming to add an extra dimension to a superb product range.

---



WORLDWIDE PARTNER

## Product data

Cap/Base	B22d
Bulb Shape	Candle
Bulb Finish	Coated
Bulb Diameter [mm]	35
Bulb maximum overall diameter [mm]	36
Maximum Overall Length [mm]	97
Net weight per piece [g]	60
Gross weight per piece [g]	89
Regulatory comment	EUP related
Brand	General Electric (GE)

## Performance data

Colour Rendering Index (CRI) [Ra]	80
Nominal correlated colour temperature (CCT) [K]	2700
Colour consistency	6 steps
Nominal lumens [lm]	250
Nominal useful lumens [lm]	250
Energy efficiency class (EEC)	A+
Rated life L70/B50 [h]	20000
Nominal power [W]	4.5
Nominal lamp voltage [V]	230

## Electrical data

Rated power [W]	4.5
Nominal lamp power factor	0.6
Weighted energy consumption [kWh/1000h]	4.5
Run-up time (sec)	1
Starting time [sec]	<0,5
Number of switching cycles	10000
Dimming Capability	Yes

## Logistic data

DUN Code	10043168982136
EAN Code	0043168982139
Pack Quantity	10
Inner pack type	BOX
Outer pack type	OUTER BOX
Layer quantity	280 EUR, 340 UK
Layer quantity EUR	280
Layer quantity UK	340
Pallet quantity EUR (PC)	1960
Pallet quantity UK (PC)	2380
Outer case size	263 x 110 x 133 (mm)
Product status	Available

## Application areas



Home



Retail

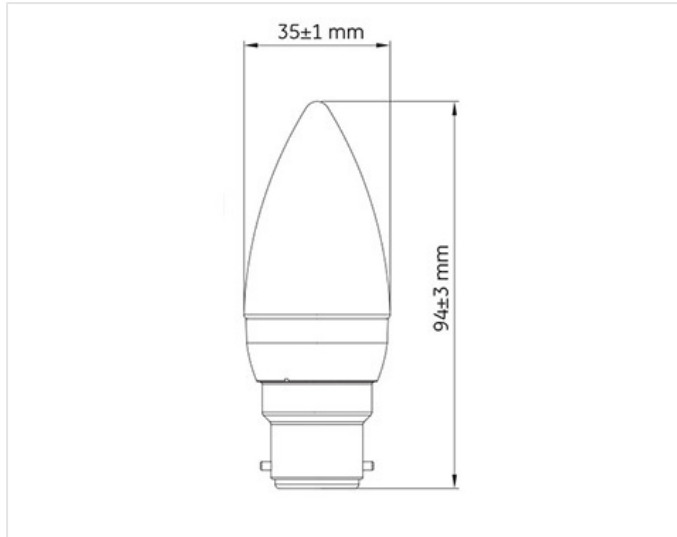


Office



Hospitality

## Technical drawing



## Downloads & Links

[Go to the catalog site \(HTTP\)](#)

[Photometry \(IES\)](#)

[Dimming compatibility \(HTTP\)](#)

[LED Lighting Solutions - Catalogue \(EN\) \(PDF\)](#)

[LED Decor 4.5W Dimmable Datasheet \(PDF\)](#)

[Lighting design tools & calculators \(HTTP\)](#)

## Photometric Data

