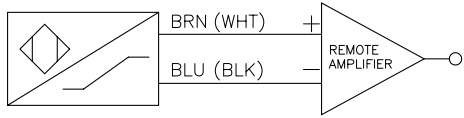
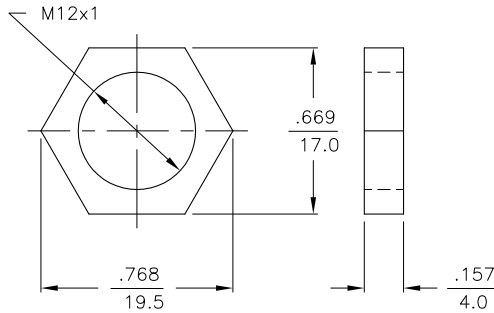


WIRING DIAGRAM



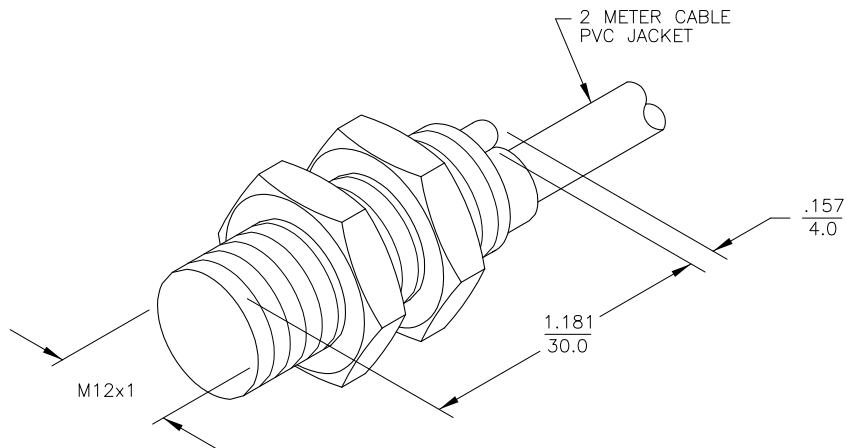
OUTPUT: Y1

LOCKNUT LN-P12



SPECIFICATIONS

OPERATING VOLTAGE	5-15 V DC
NOMINAL VOLTAGE FOR INTRINSICALLY-SAFE SENSORS	8.2 V DC
OUTPUT FUNCTION	RESISTANCE CHANGE, REQUIRES REMOTE AMPLIFIER
RESISTANCE CHANGE FROM UNDAMPED TO DAMPED CONDITION	1.0 kΩ to >8.0 kΩ
RESULTING CURRENT CHANGE	≥ 2.2 mA to ≤ 1.0 mA
RECOMMENDED SWITCHING POINT FOR REMOTE AMPLIFIER	1.55 mA
TIME DELAY BEFORE AVAILABILITY	≤ 1 ms
POWER-ON EFFECT PROTECTION	REALIZED IN AMPLIFIER
POLARITY INVERSION PROTECTION	INCORPORATED
WIRE BREAK PROTECTION	REALIZED IN AMPLIFIER
PROTECTION AGAINST TRANSIENTS	REALIZED IN AMPLIFIER
OPERATING TEMPERATURE	-25°C to +70°C (-13°F to +158°F)
ENCLOSURE	MEETS NEMA 1, 3, 4, 6, 13 AND IEC IP67
SHOCK	30 g, 11 ms
VIBRATION	55 Hz, 1 mm AMPLITUDE (IN ALL 3 PLANES)
LED FUNCTION	NONE
SENSING RANGE	5 mm = .157" (NOMINAL)
SWITCHING FREQUENCY	5000 Hz
REPEATABILITY	≤ 2%
SHIELDED	NO



RELATED DOCUMENTS		3RD ANGLE PROJECTION		THIS DRAWING IS PROPERTY OF TURCK INC. USE OF THIS DOCUMENT WITHOUT WRITTEN PERMISSION IS PROHIBITED.		 3000 CAMPUS DRIVE MINNEAPOLIS, MN 55441 1-800-544-7769 (763) 553-7300 (763) 553-0708 fax turck.com		
1.			ALL DIMENSIONS DISPLAYED ON THIS DRAWING ARE FOR REFERENCE ONLY	DRFT	GMB	DATE	6/13/91	
2.				DSGN		SCALE	NONE	DESCRIPTION
3.		UNIT OF MEASUREMENT				IDENTIFICATION NO.		REV
4.		INCH [MILLIMETER]				M1009400		B
MATERIAL		PA 12-GF30 PLASTIC BARREL		CONTACT TURCK FOR MORE INFORMATION		DO NOT SCALE THIS DRAWING		FILE: M1009400
FINISH								SHEET 1 OF 1

B	UPDATE TO NEW TITLE BLOCK	RDS	11/05/02	5504
REV	DESCRIPTION	BY	DATE	ECO NO.