

Overview 0

Cabinets 1

Wall mounted cases 2

Accessories for cabinets and wall mounted cases 3

Climate control 4

Desk-top cases 5

Subracks/ 19" chassis 6

Front panels, plug-in units 7

Systems 8

Power supply units 9

Backplanes 10

Connectors, front panel component system 11

Appendix 12

Cabinets - *minirack*



02002002



19" integrated in upright

02002003



Handle strip in side panel

02002004



Easy solution for shortened doors

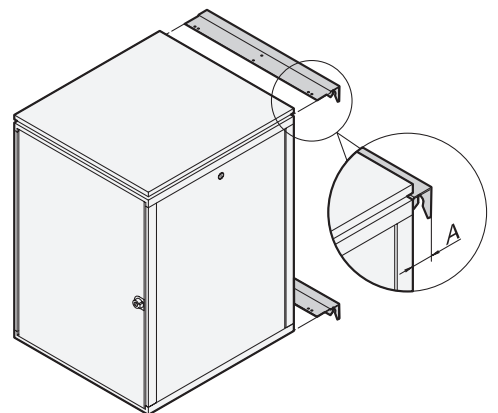
01595009

Standards / certifications

- External and internal dimensions in accordance with IEC 60297, part 1 and 2
- Type of protection IP 20 in accordance with IEC 60529
- Protective GND/earthing in accordance with DIN EN 50178

Modifications

- Special colours
- Special sizes
- Customised solutions



Wall mounting

mra44488



Further important information can be found on the internet under www.schrack.biz



Universal 19" small cabinet

- Type of protection up to IP 20
- Bolted, die-cast frame with Aluminium extrusions
- Cabinet width only 553 mm
- Static load-carrying capacity 200 kg
- New colour combination: RAL 7021 (black grey) / RAL 7035 (light grey)



Complete cabinet

- 12 - 20 U

00202001



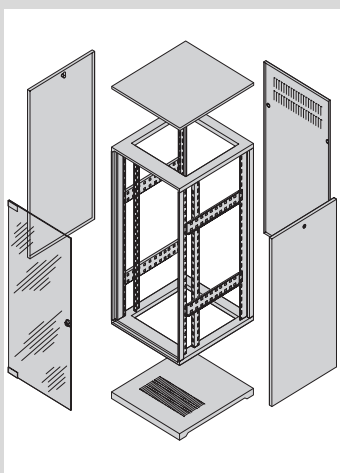
Cabinet without front door and rear panel

- 9 - 34 U

00205001

minirack

19" complete cabinet	1.110
19" cabinet without front door and rear panels	1.111
Doors	1.112
Rear panels	1:113
Door hinge brackets for shortened doors/rear panels	1.113
Bases/plinths	1.114
Slide rails	1.115
19" shelves stationary/telescopic	1.116
Telescopic slides	1.118



00201501

Individual configuration

- Height: 6 - 34 U
- Depth: 400 - 780 mm
- 2 versions
 - 19" frame (19" plane integrated in uprights)
 - Universal frame (depth-adjustable 19" plane)



Individual Configuration

ServicePLUS	1.120
-----------------------	-------

Dimensions ... 1.132

Cabinets - *minirack*

19" complete cabinet



00205003

- Glass door and rear panel with ventilation slot
- All uprights with 19" cut-outs and EIA grid holes
- Inset covers
- Colour combination RAL 7021 / RAL 7035

Delivery comprises (assembled)

Item	Qty	Description
1	1	19" frame with 19" cut-outs and EIA grid holes, Al die-cast frame, Al uprights, RAL 7021
2	2	Side panels, St, 1 mm, RAL 7035
3	1	Flush cover, St, 1 mm, RAL 7021
4	4	Foot (up to 16 U made of rubber, from 20 U made of Al)
5	1	Rear panel with perforation at top, St, 1 mm, RAL 7035
6	1	Glass door, Sekurit 6 mm, smoke grey, with safety lock and 2 keys

Order Information

Usable height	Height H	Width W	Depth D	c	Weight	Order no.
U	mm	mm	mm	mm	kg	
12	589	553	600	507	20	10230-176
16	767	553	600	507	25	10230-177
20	945	553	600	507	28	10230-178

GND/earthing For frame, steel doors, side panels, top cover and base plate, 1 kit **21101-539**

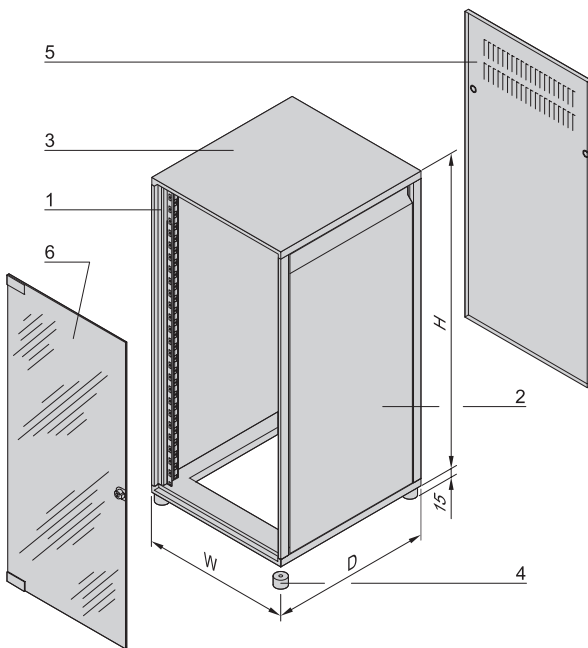
Castors Height 70 mm, load-carrying capacity 70 kg per castor, PU (2 locking, 2 non-locking) **20191-089**

Note

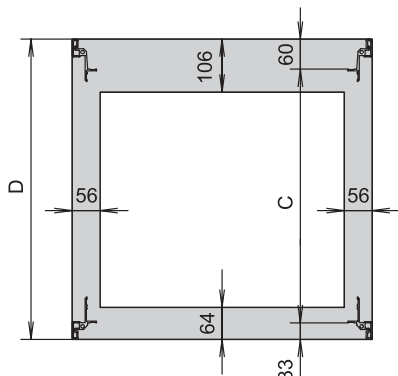
- Please order base/plinth separately, see page 1.114
- Further sizes available on ServicePLUS, see from page 1.120



For further information www.schroff.biz/oneclick
oneClick code = Order no.



00205060



mra45965



Cabinets - *minirack*

19" cabinet without front door and rear panel



- Door and rear panel combination freely selectable
- All uprights with 19" cut-outs and EIA grid holes
- Inset cover
- Colour combination RAL 7021 / RAL 7035

Delivery comprises (assembled)

Item	Qty	Description
1	1	19" frame with 19" cut-outs and EIA grid holes, Al die-cast frame, Al uprights, RAL 7021
2	2	Side panels, St, 1 mm, RAL 7035
3	1	Flush cover, St, 1 mm, RAL 7021
4	4	Foot (up to 16 U made of rubber, from 20 U made of Al)

Order Information

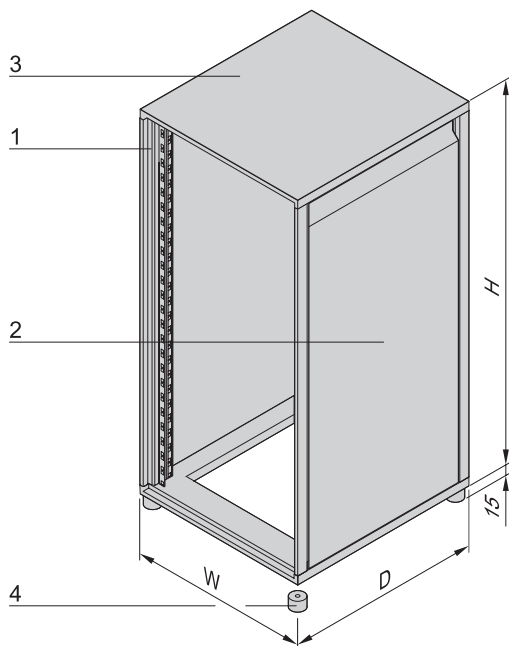
Usable height U	Height H mm	Width W mm	Depth D mm	c mm	Weight kg	Order no.
9	456	553	600	507	18	10230-179
12	589	553	500	407	20	10230-180
12	589	553	600	507	20	10230-181
16	767	553	500	407	25	10230-182
16	767	553	600	507	25	10230-183
20	945	553	500	407	28	10230-184
20	945	553	600	507	28	10230-185
25	1167	553	600	507	30	10230-186
34	1567	553	600	507	40	10230-187

GND/earthing For frame, doors, side panels, top cover and base plate, 1 kit **21101-539**

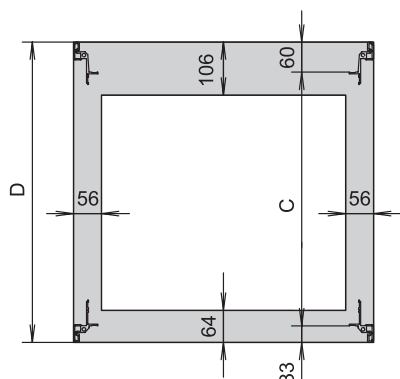
Castors Height 70 mm, load-carrying capacity 70 kg per castor, PU (2 locking, 2 non-locking) **20191-089**

Note

- Please order front/rear door and rear panel separately, see from page 1.112
- Please order base/plinth separately, see page 1.114
- Further dimensions available on ServicePLUS, see from page 1.120



mra45362

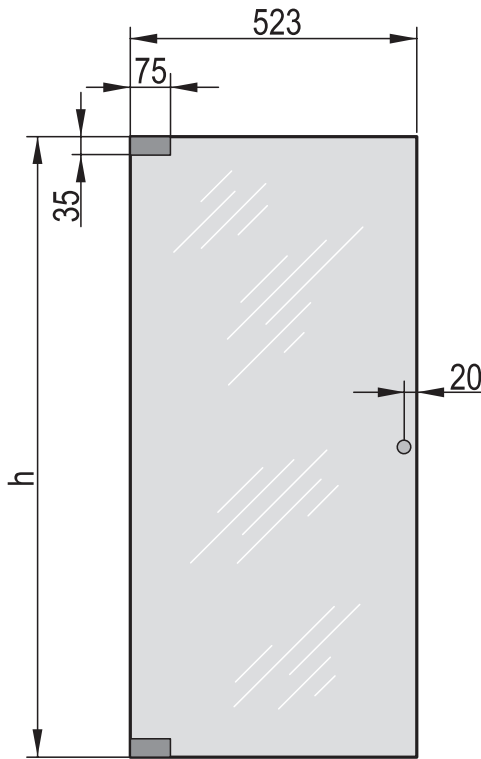


mra45965



Cabinets - *minirack*

Glass door



mra44473mra45967

- Can be mounted at front and at rear

Delivery comprises

Item	Qty	Description
1	1	Glass door, Sekurit 6 mm, smoke grey, opening angle 120°
2	1	Safety lock with 2 keys
3	1	Assembly kit

Order Information

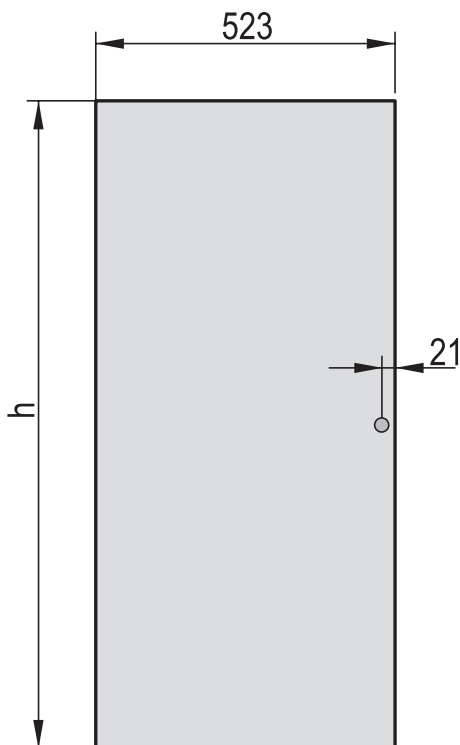
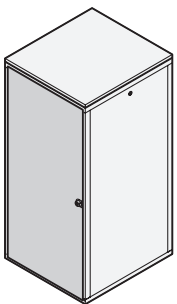
For cabinet height mm	Usable height U	h mm	For cabinet width mm	Order no.
322	6	288	553	20117-738
456	9	422	553	20117-739
589	12	555	553	20117-741
767	16	733	553	20117-744
945	20	911	553	20117-745
1167	25	1133	553	20117-746
1567	34	1534	553	20117-748
Spare key 1 piece				60127-018

- Doors with opening angle 180°, see page 1.124



For further information www.schroff.biz/oneclick
oneClick code = Order no.

Steel door



mra44473mra45969

- Can be mounted at front and at rear

Delivery comprises

Item	Qty	Description
1	1	Door, St, 1 mm, RAL 7035, opening angle 120°
2	1	Safety lock with 2 keys
3	1	Assembly kit

Order Information

For cabinet height mm	Usable height U	h mm	For cabinet width mm	Order no.
322	6	288	553	20230-426
456	9	422	553	20230-429
589	12	555	553	20230-431
767	16	733	553	21117-184
945	20	911	553	21117-185
1167	25	1133	553	21117-186
1567	34	1534	553	21117-188
Spare key 1 piece				60127-018

- Doors with opening angle 180°, see page 1.124

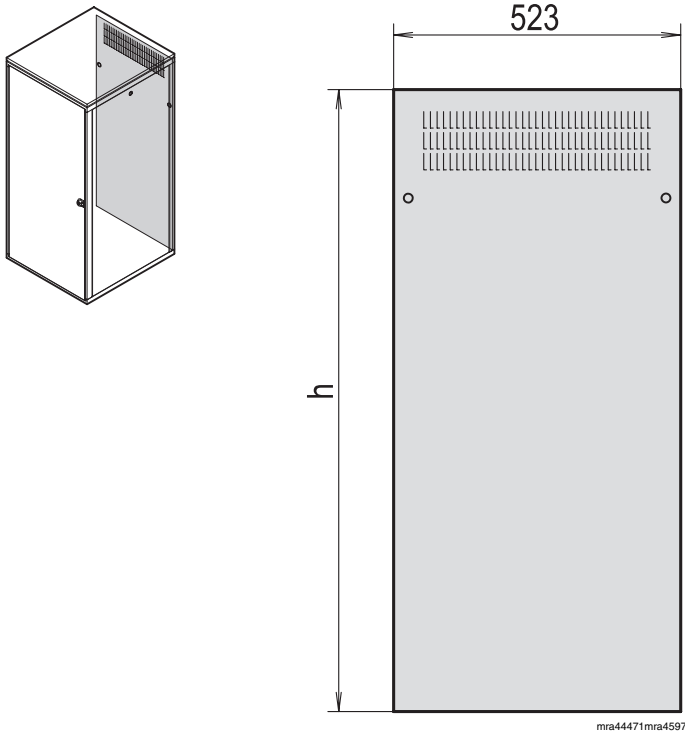


For further information www.schroff.biz/oneclick
oneClick code = Order no.



Cabinets - *minirack*

Rear panel



Delivery comprises

Item	Qty	Description
1	1	Rear panel, St, 1 mm, RAL 7035, perforation at top, incl. 2 side panel catches
2	1	Assembly kit

Order Information

For cabinet height mm	Usable height U	h mm	For cabinet width mm	Order no.
322	6	288	553	20230-499
456	9	422	553	20230-500
589	12	555	553	20230-501
767	16	733	553	20230-502
945	20	911	553	20230-503
1167	25	1133	553	20230-504
1567	34	1534	553	20230-505

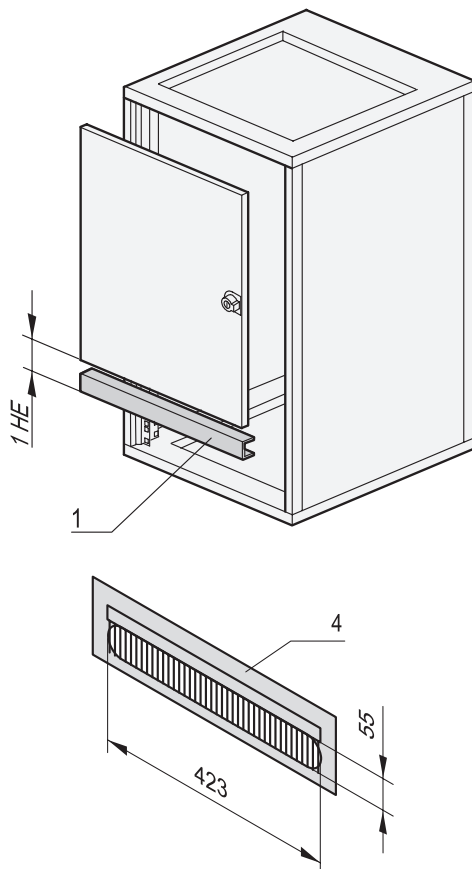
Note

- Instead of a rear panel, a door can also be used



For further information www.schroff.biz/oneclick
oneClick code = Order no.

Door hinge bracket for shortened doors/rear panels



- For doors or rear panels which do not cover the full cabinet height
- Requires 1 U assembly area (can be assembled above or below the door or rear panel)
- The free space can be covered by 19" filler panels or cable ducting plates 3 U/ 4 U

Delivery comprises (kit)

Item	Qty	Description
1	1	Door hinge bracket, St, 1.5 mm, RAL 7021
2	1	Assembly kit

Order Information

Description	Order no.
Door hinge bracket for assembly at front	22230-163
Door hinge bracket for assembly at rear	22230-164
Item 3 19" cable ducting plate 3 U, RAL 7035, with brush strip, 1 piece	20118-391
Item 3 19" cable ducting plate 4 U, RAL 7035, with brush strip, 1 piece	20118-390

- 19" filler panel, see chapter Accessories for cabinets and wall mounted cases



For further information www.schroff.biz/oneclick
oneClick code = Order no.

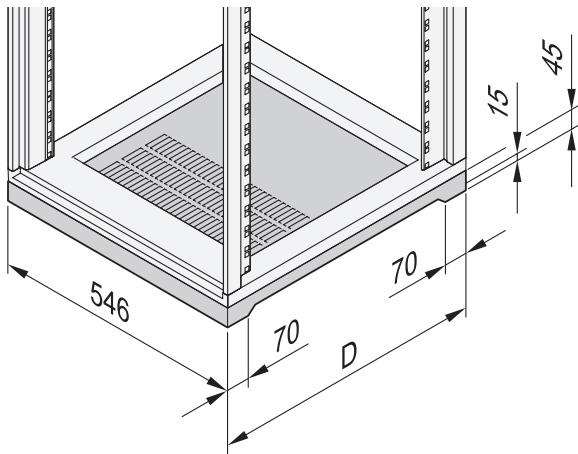
Cable ducting plate

00201507



Cabinets - *minirack*

Base/plinth



- Static load-carrying capacity 200 kg
- With perforation

Delivery comprises (assembled)

Item	Qty	Description
1	1	Base/plinth, St, 2.5 mm, height 45 mm, RAL 7021
2	1	Assembly kit

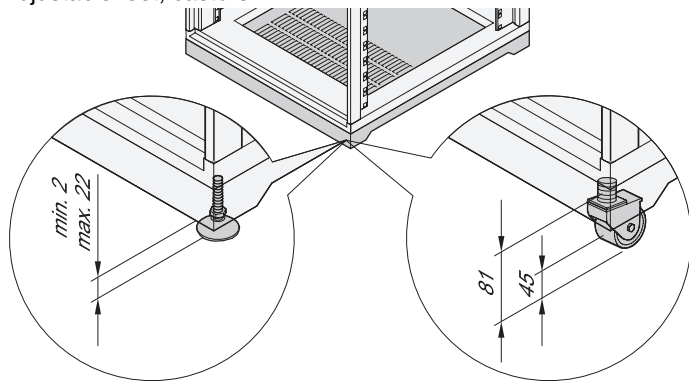
Order Information

For cabinet width mm	For cabinet depth mm	Order no.
553	500	22230-165
553	600	22230-166

Adjustable feet for base/plinth St, polyamide, black, load-carrying capacity 100 kg per foot, 4 pieces **21101-124**

Castors for base/plinth Metal and plastic, load-carrying capacity 60 kg per castor, 4 pieces **20230-408**

Adjustable feet, castors



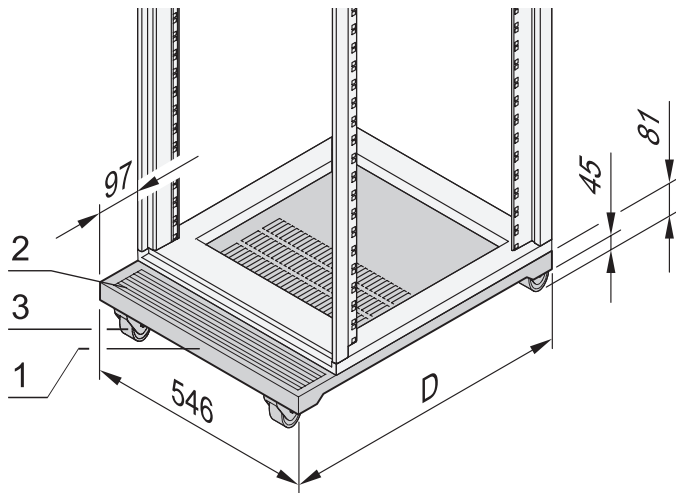
Note

- Please order adjustable feet or castors separately



For further information www.schroff.biz/oneclick
oneClick code = Order no.

Base/plinth, mobile



- Load-carrying capacity 200 kg

Delivery comprises (assembled)

Item	Qty	Description
1	1	Base/plinth, St, 2 mm, RAL 7021, with perforation
2	1	Corrugated mat, natural rubber, anthracite, 3 mm thick, self-adhesive
3	4	Castor, load-carrying capacity 60 kg/castor
4	1	Assembly kit

Order Information

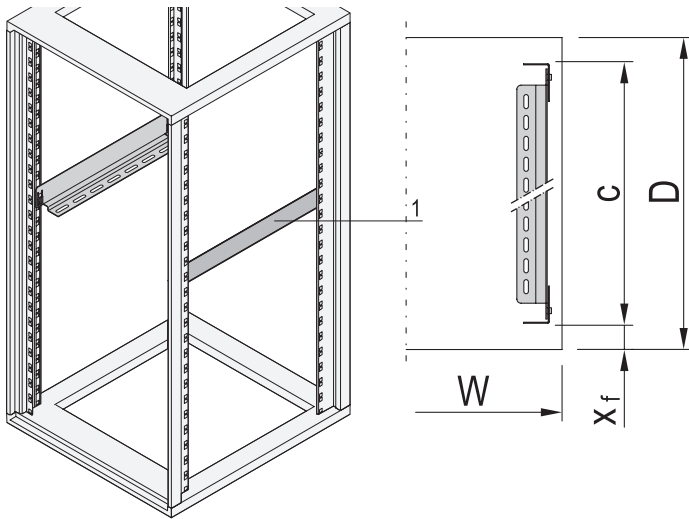
For cabinet depth mm	D mm	Order no.
500	593	22230-167
600	693	22230-168



For further information www.schroff.biz/oneclick
oneClick code = Order no.

Cabinets - *minirack*

Slide rail



- For assembly on cabinet uprights
- Can be snapped-in in 1 U increments
- Static load-carrying capacity 25 kg per pair

Delivery comprises

Item	Qty	Description
1	2	Slide rail, St, 1.5 mm, finish AlZn
2	1	Assembly kit

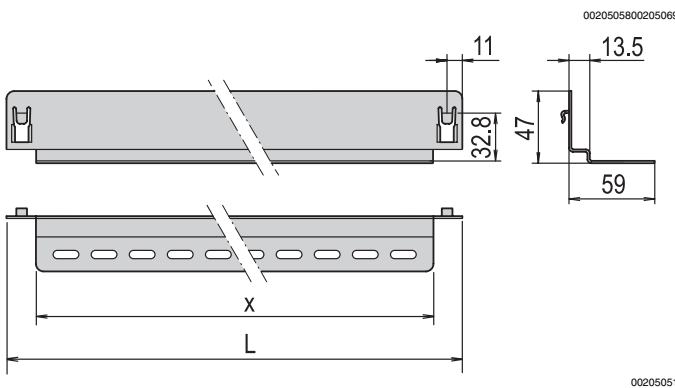
Order Information

For cabinet depth D mm	x _f mm	c mm	L mm	x mm	Order no.
500	33	407	372	322	20230-867
600	33	507	472	422	20230-868

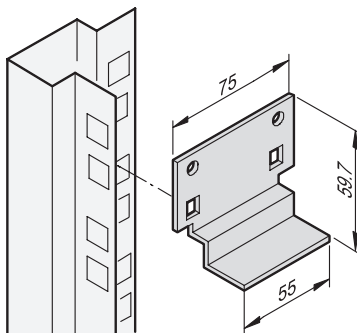
- Further dimensions available on ServicePlus, see page 1.131



For further information www.schroff.biz/oneclick
oneClick code = Order no.



Short slide rail



- For assembly on 19" slide mounts
- Can be snapped-in in 1 U increments
- Static load-carrying capacity max. 15 kg per pair

Delivery comprises

Item	Qty	Description
1	2 / 10	Short slide rail, St, 1.5 mm, finish AlZn
2	1	Assembly kit

Order Information

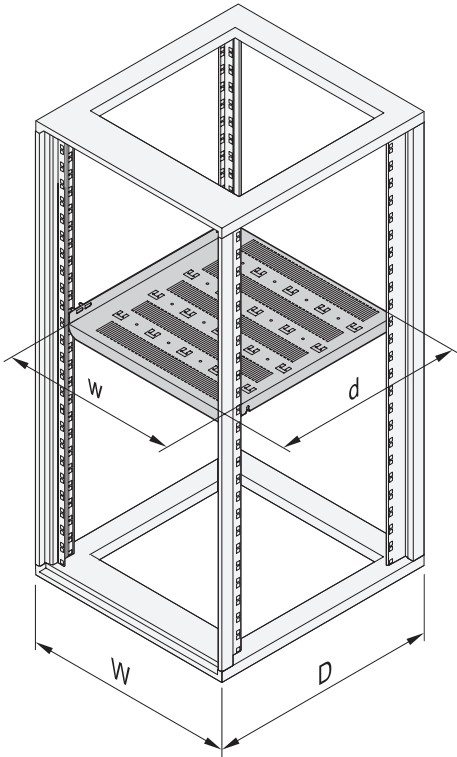
Description	Qty	Order no.
Short slide rail	2	20118-592
Short slide rail	10	20118-593



For further information www.schroff.biz/oneclick
oneClick code = Order no.

Cabinets - *minirack*

19" shelf, stationary



- Static load-carrying capacity 75 kg
- For assembly on cabinet uprights
- With hammer head perforation for mounting of cable ties

Delivery comprises

Item	Qty	Description
1	1	Shelf with perforation, St, 1.5 mm, RAL 7021
2	1	Assembly kit

Order Information

Cabinet dimensions W x D mm	Usable surface w x d mm	Order no.
553 x 500	490 x 396	22230-169
553 x 600	490 x 496	22230-170
GND/earthing kit For shelf, stationary, 1 piece		21101-541

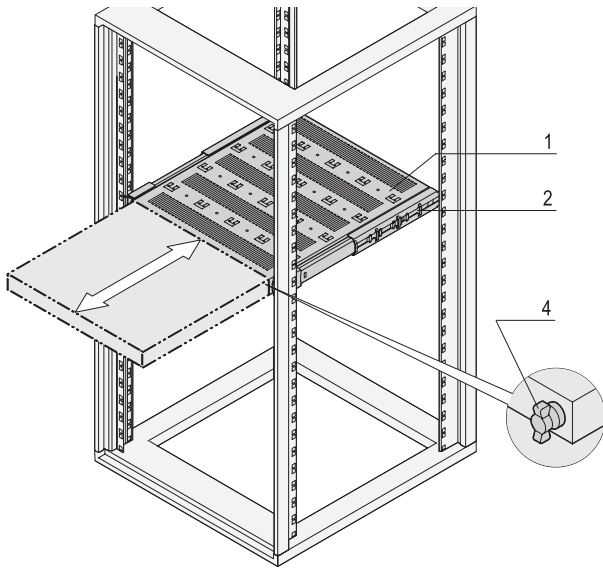


For further information www.schroff.biz/oneclick
oneClick code = Order no.

00205068

Cabinets - *minirack*

19" shelf, telescopic 70 kg

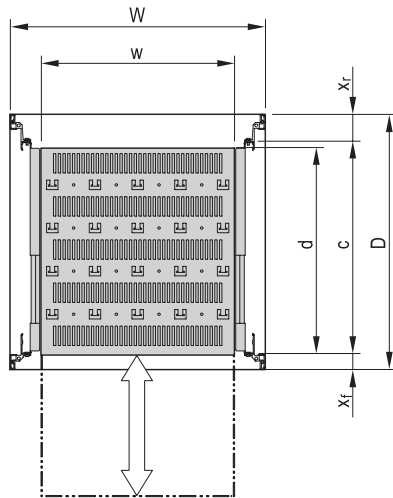


- Static load-carrying capacity at full extension 70 kg
- 2 U assembly on four 19" panel/slide mounts
- Incl. telescopic slide
- Locking with T-bar lock possible
- Hammer head cut-outs for assembly with cable ties
- 2 versions
 - Full depth
 - Recessed depth by 100 mm for cable ducting at rear

Delivery comprises

Item	Qty	Description
1	1	Shelf with perforation, St, 1.5 mm, RAL 7021
2	2	Telescopic slide
3	1	Assembly kit

Full depth



00205053

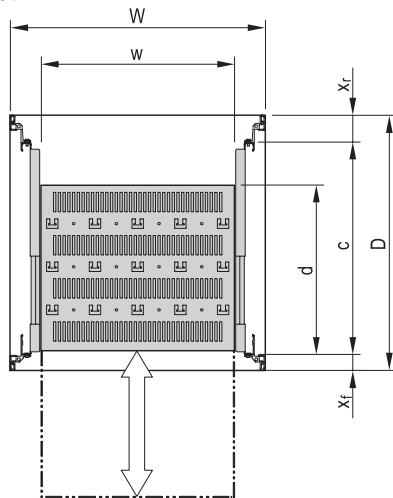
Order Information

Full depth

Cabinet dimensions W x D	Usable surface w x d	x_f	c	x_r	Full depth	Order no.
mm	mm	mm	mm	mm		
553 x 500	405 x 382	33	407	60		21130-357
553 x 600	405 x 482	33	507	60		21130-353
Item 4 T-bar lock for one telescopic shelf (on right or left), 1 piece						23130-092
GND/earthing for telescopic 19" shelf 1 kit						23130-140

c = max. pitch of the 19" slide mounts
 x_f, x_r = standard assembly dimension

Recessed depth



00205056

Order Information

Depth is recessed by 100 mm

Cabinet dimensions W x D	Usable surface w x d	x_f	c	x_r	Depth is recessed by 100 mm	Order no.
mm	mm	mm	mm	mm		
553 x 500	405 x 282	33	407	60		21130-358
553 x 600	405 x 382	33	507	60		21130-352
Item 4 T-bar lock for one telescopic shelf (on right or left), 1 piece						23130-092
GND/earthing for telescopic 19" shelf 1 kit						23130-140

c = max. pitch of the 19" slide mounts
 x_f, x_r = standard assembly dimension

c = max. pitch of the 19" slide mounts
 x_f, x_r = standard assembly dimension

00205057



For further information www.schroff.biz/oneclick
 oneClick code = Order no.

Cabinets - *minirack*

Telescopic slide 1 U, minirack



00505017

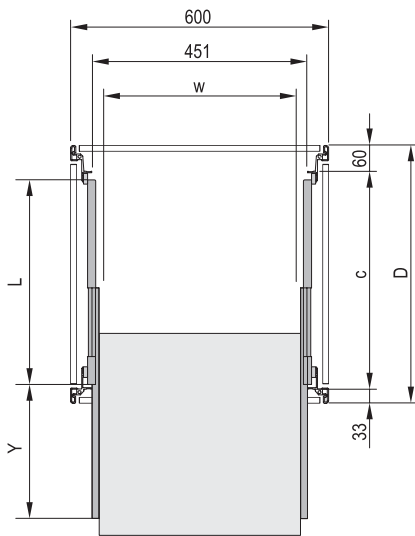
- For assembly of own shelves or drawers
- Load-carrying capacity per pair 46 kg
- Assembly in U pitch at 19" plane
- Detachable, extension length > 100 %
- Rail width 19 mm, max. installation width of the extraction/drawer $w = 409$ mm

Delivery comprises

Item	Qty	Description
1	2	Telescopic slide, St, zinc-plated
2	4	Bracket, St, zinc-plated
3	1	Assembly kit

Order Information

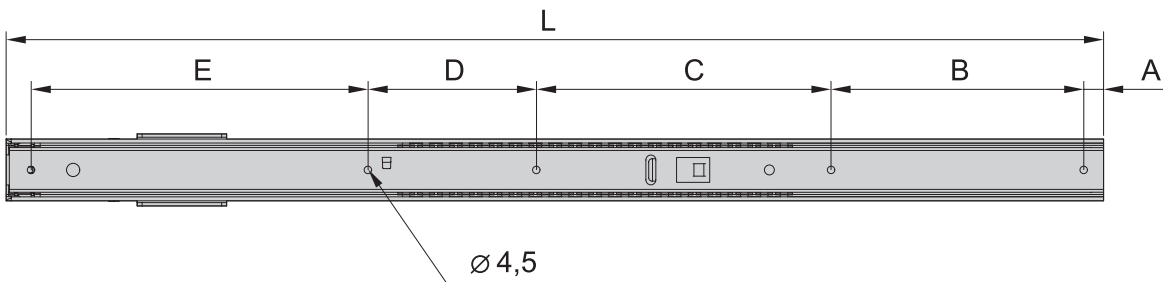
Length L	Extension length Y	c	Load-carrying capacity P	Order no.
mm	mm	mm	kg	
362	379	380	46	22230-157
462	485	580	46	22230-158
662	695	680	46	22230-159



00205073 00105065

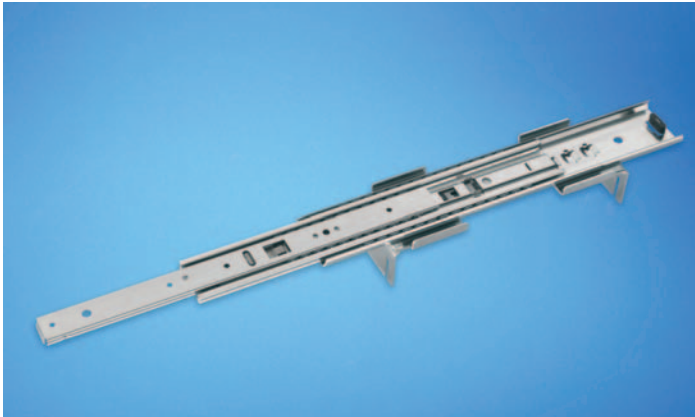
Dimensions table

Length L	Internal part				
	A	B	C	D	E
362	42,2	152,4	50,8	101,6	-
462	15,2	76,2	152,4	203,2	-
662	12,0	152,4	177,8	101,6	203,2



Cabinets - *minirack*

Telescopic slide 2 U, minirack



- For assembly of own shelves or drawers
- Load-carrying capacity per pair 80 kg
- Assembly in U pitch at 19" plane
- Detachable, extension length > 100 %
- Rail width 13 mm, max. installation width of the extension/drawer $w = 421$ mm

Delivery comprises

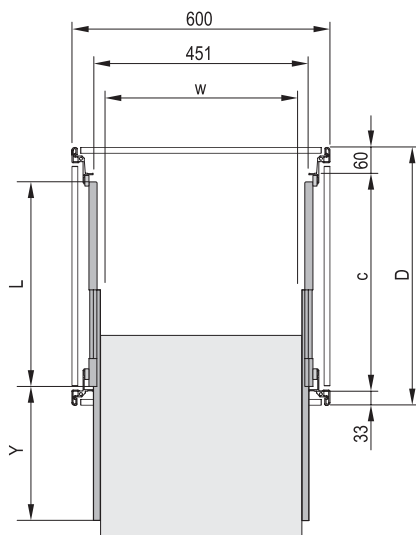
Item	Qty	Description
1	2	Telescopic slide, St, zinc-plated
2	4	Bracket, St, zinc-plated
3	1	Assembly kit

Order Information

Length L	Extension length Y	c	Load-carrying capacity P	Order no.
mm	mm	mm	kg	
362	376	380	80	22230-160
462	481	580	80	22230-161
662	693	680	80	22230-162



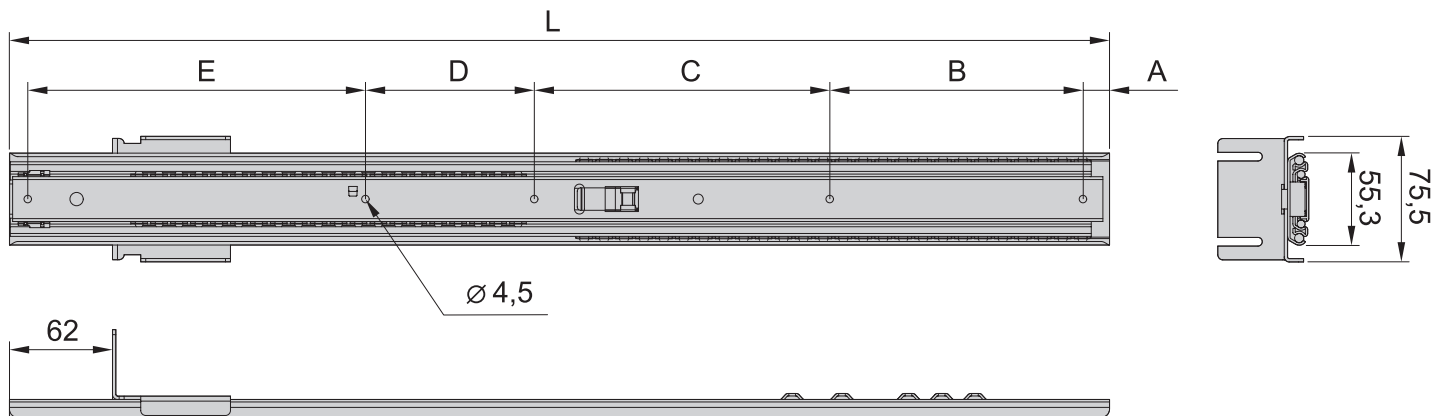
For further information www.schroff.biz/oneclick
oneClick code = Order no.



00205073 00105064

Dimensions table

Length L	Internal part				
	A	B	C	D	E
362	42,2	152,4	50,8	101,6	-
462	15,2	76,2	152,4	203,2	-
662	16,0	152,4	177,8	101,6	203,2



Cabinets - *minirack* ServicePlus

Ordering of individual components

Example for ordering individual components

Qty	Description	Order No.
1	Rear panel, 9 U, 500 mm deep, PU 2 pieces	20230-482
..

- Order individual components from the table
- Delivery is individually packed
- For availability and delivery time please contact our sales office
- For examples on how to order components see left hand side

ServicePLUS: The special assembly service



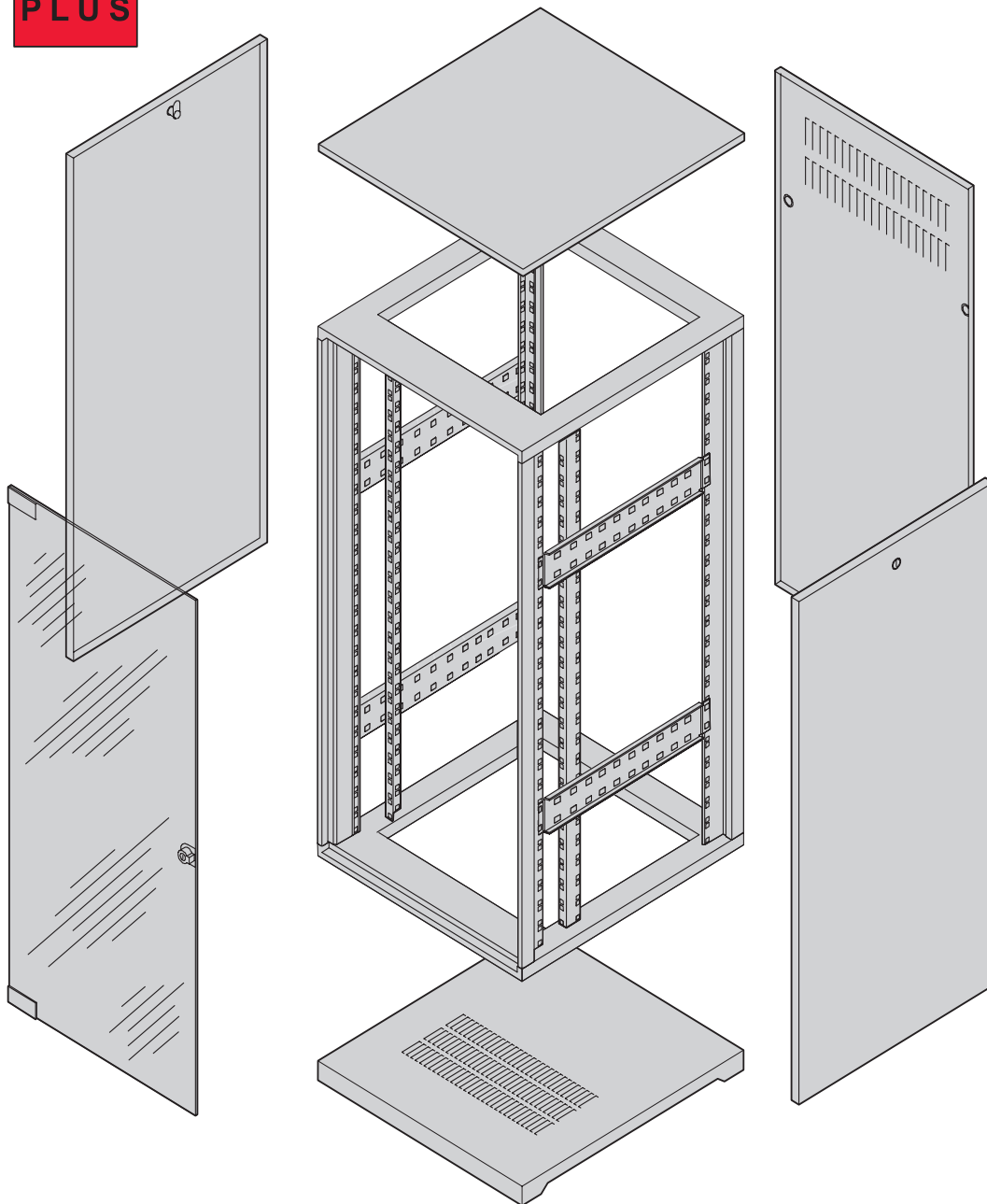
Order example (e.g. line no. 12)

Qty	Description	Order No.
1	19" frame, usable height 16 U, height 767 mm, width 553 mm, depth 500 mm, 1 piece	22230-182/05
1	Side panel, height 16 U, depth 500 mm, PU 2 pieces	20230-488/05
1	Glazed door, height 16 U, opening angle 180°, width 553 mm, 1 piece	20230-716/05
1	DIN profile half cylinder, 1 piece	60114-121/05
1	Rear panel, height 16 U, width 553 mm, 1 piece	20230-502/05
..

- Build your cabinet out of components (add /05 on each part no.)
- Delivery completely assembled at no extra charge
- Delivery in the UK within 5 working days (other countries: please contact our sales office for details)
- Using the line number you can easily find your way through several pages!
- Example on how to order see left hand side
- 2 frame versions
 - 19" frame (19" profile at front and rear)
 - Universal frame (universal profile at front, 19" profile at rear)

Cabinets - *minirack* ServicePlus

ServicePLUS: Contents



	Page
Frames	1.122
Doors	1.124
Door hinge brackets for shortened doors	1.125
Top covers, wall mounting	1.126
Floor/base	1.127
Base/plinth	1.128
19" shelves, stationary	1.129
19" telescopic shelves, 2 U, 70 kg	1.130
Slide rails	1.131
19" frame dimensions	1.132
Universal frame dimensions	1.133


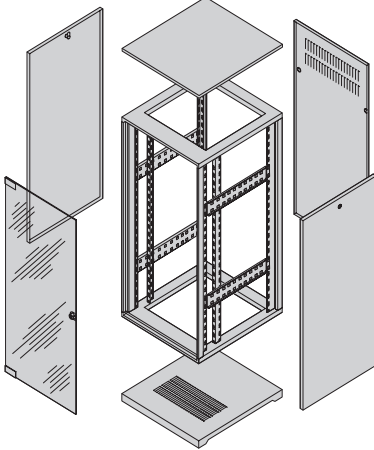
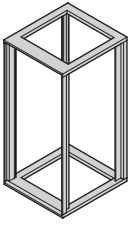
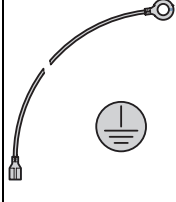
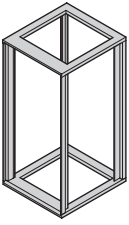
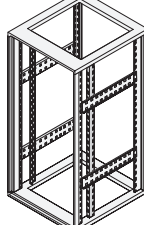
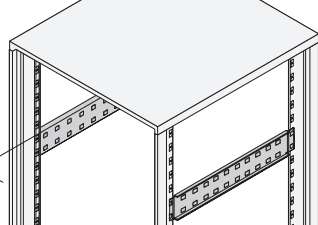
00201501



Cabinets - *minirack* ServicePlus

Frames

Order Information


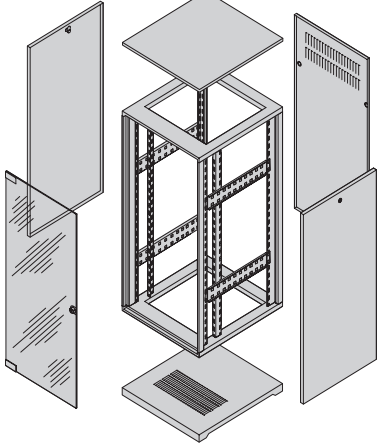
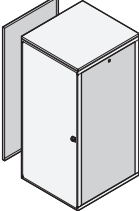
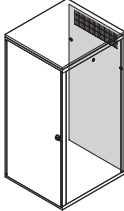
  Cabinet dimensions					19" frame  mra44469 Al, RAL 7021, 19" plane at front and rear	Universal frame				GND/earthing  aza43284 For frame, door, side panel, top cover, base plate
						Frame  mra44469 Al, RAL 7021, integrated 19" plane at rear, 19" panel mount at front (please order separately), with depth member, depth-adjustable in 25 mm increments	19" panel mounts  00205055 St, 2 mm, RAL 7021, please order depth member separately	Depth members  00205063 RAL 7035, St, 1.5 mm, assembly of the mounting angle depth-adjustable in 25 mm increments		
No.	Height U	Height mm	Width mm	Depth mm	1 piece assembled	1 piece assembled	PU 2 pieces assembled	PU 2 pieces assembled	PU 2 pieces assembled	PU 1 kit assembled
1	6	322	553	400	22230-171	22230-195	22230-243	20230-858	20230-852	21101-539
2	6	322	553	500	22230-172	22230-196	22230-243	20230-859	20230-853	21101-539
3	6	322	553	600	22230-173	–	–	20230-860	20230-854	21101-539
4	9	456	553	400	22230-174	22230-197	22230-244	20230-858	20230-852	21101-539
5	9	456	553	500	22230-175	22230-198	22230-244	20230-859	20230-853	21101-539
6	9	456	553	600	22230-176	–	–	20230-860	20230-854	21101-539
7	12	589	553	400	22230-177	22230-199	22230-245	20230-858	20230-852	21101-539
8	12	589	553	500	22230-178	22230-200	22230-245	20230-859	20230-853	21101-539
9	12	589	553	600	22230-179	22230-201	22230-245	20230-860	20230-854	21101-539
10	12	589	553	780	22230-180	–	–	20230-861	20230-855	21101-539
11	16	767	553	400	22230-181	22230-202	22230-246	20230-858	20230-852	21101-539
12	16	767	553	500	22230-182	22230-203	22230-246	20230-859	20230-853	21101-539
13	16	767	553	600	22230-183	22230-204	22230-246	20230-860	20230-854	21101-539
14	16	767	553	780	22230-184	–	22230-246	20230-861	20230-855	21101-539
15	20	945	553	400	22230-185	22230-205	22230-247	20230-858	20230-852	21101-539
16	20	945	553	500	22230-186	22230-206	22230-247	20230-859	20230-853	21101-539
17	20	945	553	600	22230-187	22230-207	22230-247	20230-860	20230-854	21101-539
18	20	945	553	780	22230-188	–	–	20230-861	20230-855	21101-539
19	25	1167	553	500	22230-189	22230-208	22230-248	20230-859	20230-853	21101-539
20	25	1167	553	600	22230-190	22230-209	22230-248	20230-860	20230-854	21101-539
21	25	1167	553	780	22230-191	22230-210	22230-248	20230-861	20230-855	21101-539
22	34	1567	553	500	22230-192	22230-211	22230-249	20230-859	20230-853	21101-539
23	34	1567	553	600	22230-193	22230-212	22230-249	20230-860	20230-854	21101-539
24	34	1567	553	780	22230-194	22230-213	22230-249	20230-861	20230-855	21101-539

Frame dimensions see page 1.132

Cabinets - *minirack* ServicePlus

Side panel, rear panel

Order Information

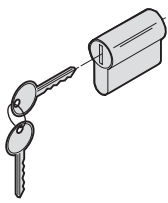
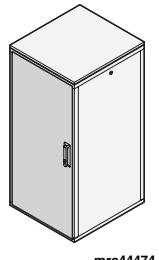
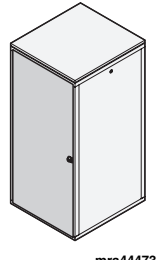
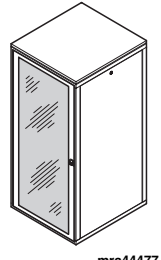
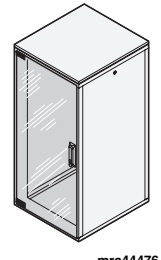
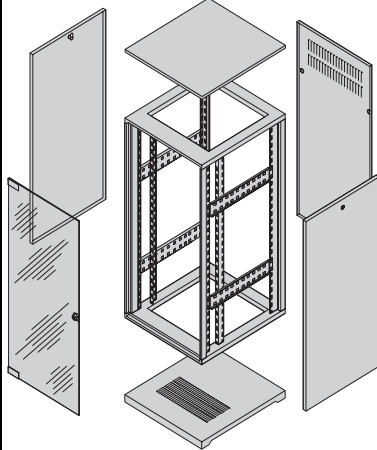
					Side panel	Rear panel
					 <p>mra44470</p> <p>St, 1 mm, RAL 7035, with quarter turn fastener</p>	 <p>mra44471</p> <p>St, 1 mm, RAL 7035, with perforation and quarter turn fastener</p>
Cabinet dimensions					PU 2 pieces assembled	1 piece assembled
No.	Height U	Height mm	Width mm	Depth mm		
1	6	322	553	400	20230-478	20230-499
2	6	322	553	500	20230-479	20230-499
3	6	322	553	600	20230-480	20230-499
4	9	456	553	400	20230-481	20230-500
5	9	456	553	500	20230-482	20230-500
6	9	456	553	600	20230-483	20230-500
7	12	589	553	400	20230-484	20230-501
8	12	589	553	500	20230-485	20230-501
9	12	589	553	600	20230-486	20230-501
10	12	589	553	780	20230-531	20230-501
11	16	767	553	400	20230-487	20230-502
12	16	767	553	500	20230-488	20230-502
13	16	767	553	600	20230-489	20230-502
14	16	767	553	780	20230-532	20230-502
15	20	945	553	400	20230-490	20230-503
16	20	945	553	500	20230-491	20230-503
17	20	945	553	600	20230-492	20230-503
18	20	945	553	780	20230-533	20230-503
19	25	1167	553	500	20230-494	20230-504
20	25	1167	553	600	20230-495	20230-504
21	25	1167	553	780	20230-534	20230-504
22	34	1567	553	500	20230-497	20230-505
23	34	1567	553	600	20230-498	20230-505
24	34	1567	553	780	20230-535	20230-505

Cabinets - *minirack* ServicePlus

Doors

Order Information

No.	Cabinet dimensions				Glass door		Glazed door	Steel door		DIN profile half cylinder lock
	Height U	Height mm	Width mm	Depth mm	Opening angle 120°	Opening angle 180°	Opening angle 120°	Opening angle 120°	Opening angle 180°	
					1 piece assembled	1 piece assembled	1 piece assembled	1 piece assembled	1 piece assembled	1 piece supplied loose
1	6	322	553	400	20117-738	20230-713	20230-439	20230-426	20230-705	60114-121
2	6	322	553	500	20117-738	20230-713	20230-439	20230-426	20230-705	60114-121
3	6	322	553	600	20117-738	20230-713	20230-439	20230-426	20230-705	60114-121
4	9	456	553	400	20117-739	20230-714	20230-442	20230-429	20230-706	60114-121
5	9	456	553	500	20117-739	20230-714	20230-442	20230-429	20230-706	60114-121
6	9	456	553	600	20117-739	20230-714	20230-442	20230-429	20230-706	60114-121
7	12	589	553	400	20117-741	20230-715	20230-443	20230-431	20230-707	60114-121
8	12	589	553	500	20117-741	20230-715	20230-443	20230-431	20230-707	60114-121
9	12	589	553	600	20117-741	20230-715	20230-443	20230-431	20230-707	60114-121
10	12	589	553	780	20117-741	20230-715	20230-443	20230-431	20230-707	60114-121
11	16	767	553	400	20117-744	20230-716	20117-769	21117-184	20230-708	60114-121
12	16	767	553	500	20117-744	20230-716	20117-769	21117-184	20230-708	60114-121
13	16	767	553	600	20117-744	20230-716	20117-769	21117-184	20230-708	60114-121
14	16	767	553	780	20117-744	20230-716	20117-769	21117-184	20230-708	60114-121
15	20	945	553	400	20117-745	20230-717	20117-770	21117-185	20230-709	60114-121
16	20	945	553	500	20117-745	20230-717	20117-770	21117-185	20230-709	60114-121
17	20	945	553	600	20117-745	20230-717	20117-770	21117-185	20230-709	60114-121
18	20	945	553	780	20117-745	20230-717	20117-770	21117-185	20230-709	60114-121
19	25	1167	553	500	20117-746	20230-718	20117-771	21117-186	20230-710	60114-121
20	25	1167	553	600	20117-746	20230-718	20117-771	21117-186	20230-710	60114-121
21	25	1167	553	780	20117-746	20230-718	20117-771	21117-186	20230-710	60114-121
22	34	1567	553	500	20117-748	20230-719	20117-765	21117-188	20230-711	60114-121
23	34	1567	553	600	20117-748	20230-719	20117-765	21117-188	20230-711	60114-121
24	34	1567	553	780	20117-748	20230-719	20117-765	21117-188	20230-711	60114-121



Glass, smoke grey, Sekurit 6 mm, safety lock with 2 keys

Glass, smoke grey, Sekurit 6 mm, lever handle incl. blank insert, please order DIN profile half cylinder separately

Framed door up to 12 U: St, 1.5 mm, from 16 U: Al, 2 mm, RAL 7035, acrylic glass tinted, 2 mm, safety lock with 2 keys

St, 1 mm, safety lock with 2 keys, RAL 7035

St, 1 mm, lever handle with blank insert, RAL 7035, please order DIN profile half cylinder separately


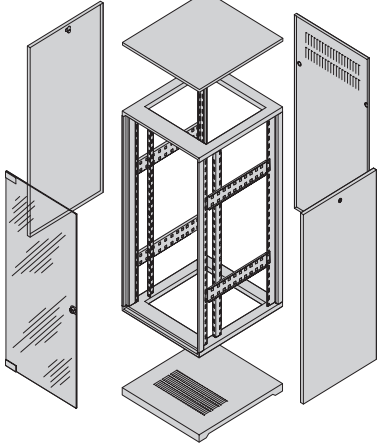
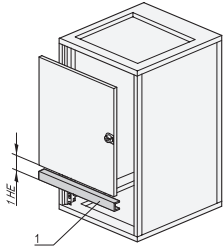

DIN profile half cylinder lock for lever handle



Cabinets - *minirack* ServicePlus

Door hinge bracket for shortened doors


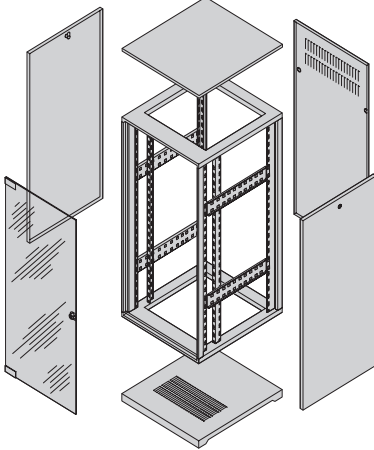
Order Information

 					Door hinge bracket for 19" frame		Door hinge bracket for Universal frame		19" cable ducting plate	
					at front	at rear	at front	at rear	3 U	4 U
										
					Hinge bracket, St, 1.5 mm, RAL 7021, assembly above or below shortened door or rear panel, 1 U assembly area necessary, free space can be covered with cable ducting plates 3 U / 4 U, please order separately				For shortened doors or rear panels, St, 2.5 mm, RAL 7035, brush strip black	
Cabinet dimensions					1 piece assembled	1 piece assembled	1 piece assembled	1 piece assembled	1 piece assembled	1 piece assembled
No.	Height U	Height mm	Width mm	Depth mm						
1	6	322	553	400	22230-163	22230-164	22230-214	22230-164	20118-391	20118-390
2	6	322	553	500	22230-163	22230-164	22230-214	22230-164	20118-391	20118-390
3	6	322	553	600	22230-163	22230-164	–	–	20118-391	20118-390
4	9	456	553	400	22230-163	22230-164	22230-214	22230-164	20118-391	20118-390
5	9	456	553	500	22230-163	22230-164	22230-214	22230-164	20118-391	20118-390
6	9	456	553	600	22230-163	22230-164	–	–	20118-391	20118-390
7	12	589	553	400	22230-163	22230-164	22230-214	22230-164	20118-391	20118-390
8	12	589	553	500	22230-163	22230-164	22230-214	22230-164	20118-391	20118-390
9	12	589	553	600	22230-163	22230-164	22230-214	22230-164	20118-391	20118-390
10	12	589	553	780	22230-163	22230-164	–	–	20118-391	20118-390
11	16	767	553	400	22230-163	22230-164	22230-214	22230-164	20118-391	20118-390
12	16	767	553	500	22230-163	22230-164	22230-214	22230-164	20118-391	20118-390
13	16	767	553	600	22230-163	22230-164	22230-214	22230-164	20118-391	20118-390
14	16	767	553	780	22230-163	22230-164	–	–	20118-391	20118-390
15	20	945	553	400	22230-163	22230-164	22230-214	22230-164	20118-391	20118-390
16	20	945	553	500	22230-163	22230-164	22230-214	22230-164	20118-391	20118-390
17	20	945	553	600	22230-163	22230-164	22230-214	22230-164	20118-391	20118-390
18	20	945	553	780	22230-163	22230-164	–	–	20118-391	20118-390
19	25	1167	553	500	22230-163	22230-164	22230-214	22230-164	20118-391	20118-390
20	25	1167	553	600	22230-163	22230-164	22230-214	22230-164	20118-391	20118-390
21	25	1167	553	780	22230-163	22230-164	22230-214	22230-164	20118-391	20118-390
22	34	1567	553	500	22230-163	22230-164	22230-214	22230-164	20118-391	20118-390
23	34	1567	553	600	22230-163	22230-164	22230-214	22230-164	20118-391	20118-390
24	34	1567	553	780	22230-163	22230-164	22230-214	22230-164	20118-391	20118-390

Cabinets - *minirack* ServicePlus

Top cover, wall mounting


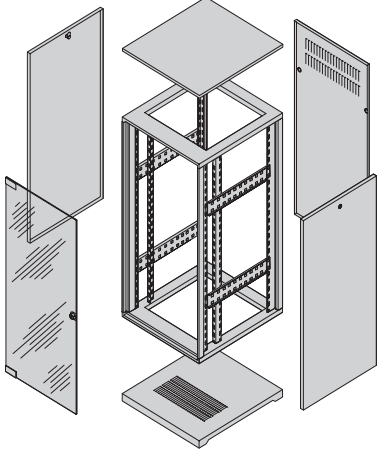
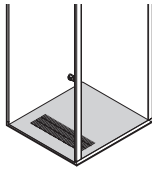
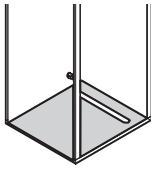
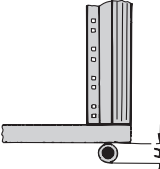
Order Information

  Cabinet dimensions					Flush cover	Raised top cover				
						Raised top cover	Fan plate	Fan	Wall mounting bracket	
No.	Height U	Height mm	Width mm	depth mm	1 piece assembled	1 piece assembled	1 piece assembled	1 piece assembled	PU 2 pieces assembled	
1	6	322	553	400	22230-215	22230-219	22230-227	20713-048	22230-256	
2	6	322	553	500	22230-216	22230-220	22230-228	20713-048	22230-256	
3	6	322	553	600	22230-217	22230-221	22230-229	20713-048	22230-256	
4	9	456	553	400	22230-215	22230-219	22230-227	20713-048	22230-256	
5	9	456	553	500	22230-216	22230-220	22230-228	20713-048	22230-256	
6	9	456	553	600	22230-217	22230-221	22230-229	20713-048	22230-256	
7	12	589	553	400	22230-215	22230-219	22230-227	20713-048	22230-256	
8	12	589	553	500	22230-216	22230-220	22230-228	20713-048	22230-256	
9	12	589	553	600	22230-217	22230-221	22230-229	20713-048	22230-256	
10	12	589	553	780	22230-218	22230-222	22230-230	20713-048	22230-256	
11	16	767	553	400	22230-215	22230-219	22230-227	20713-048	22230-256	
12	16	767	553	500	22230-216	22230-220	22230-228	20713-048	22230-256	
13	16	767	553	600	22230-217	22230-221	22230-229	20713-048	22230-256	
14	16	767	553	780	22230-218	22230-222	22230-230	20713-048	22230-256	
15	20	945	553	400	22230-215	22230-219	22230-227	20713-048	22230-256	
16	20	945	553	500	22230-216	22230-220	22230-228	20713-048	22230-256	
17	20	945	553	600	22230-217	22230-221	22230-229	20713-048	22230-256	
18	20	945	553	780	22230-218	22230-222	22230-230	20713-048	22230-256	
19	25	1167	553	500	22230-216	22230-220	22230-228	20713-048	–	
20	25	1167	553	600	22230-217	22230-221	22230-229	20713-048	–	
21	25	1167	553	780	22230-218	22230-222	22230-230	20713-048	–	
22	34	1567	553	500	22230-216	22230-220	22230-228	20713-048	–	
23	34	1567	553	600	22230-217	22230-221	22230-229	20713-048	–	
24	34	1567	553	780	22230-218	22230-222	22230-230	20713-048	–	

Cabinets - *minirack* ServicePlus

Floor/base

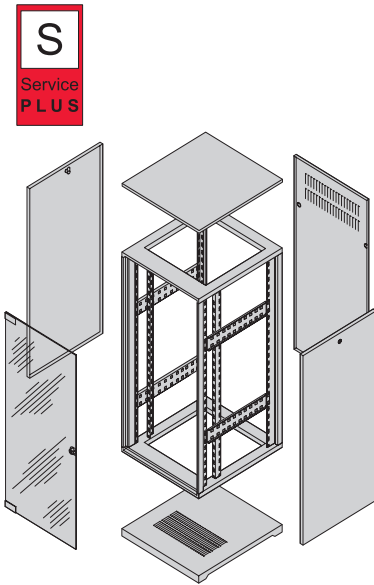
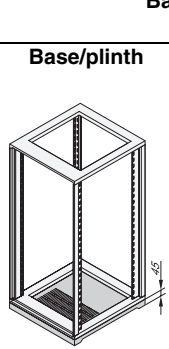
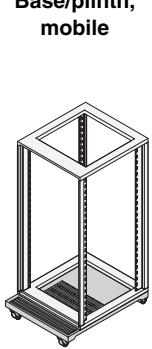
Order Information

					Base plate	Base plate with cable ducting	Castors for frame
					 mra44480 St, 1 mm, RAL 7021, air inlet at front of cabinet	 mra44481 St, 1 mm, RAL 7021, cable ducting at rear of cabinet	 a471 2 plain castors, 2 locking castors, static load-carrying capacity 70 kg per castor, height H = 70 mm
Cabinet dimensions					1 piece assembled	1 piece assembled	PU 4 pieces supplied loose
No.	Height U	Height mm	Width mm	Depth mm			
1	6	322	553	400	22230-231	22230-235	20191-089
2	6	322	553	500	22230-232	22230-236	20191-089
3	6	322	553	600	22230-233	22230-237	20191-089
4	9	456	553	400	22230-231	22230-235	20191-089
5	9	456	553	500	22230-232	22230-236	20191-089
6	9	456	553	600	22230-233	22230-237	20191-089
7	12	589	553	400	22230-231	22230-235	20191-089
8	12	589	553	500	22230-232	22230-236	20191-089
9	12	589	553	600	22230-233	22230-237	20191-089
10	12	589	553	780	22230-234	22230-238	20191-089
11	16	767	553	400	22230-231	22230-235	20191-089
12	16	767	553	500	22230-232	22230-236	20191-089
13	16	767	553	600	22230-233	22230-237	20191-089
14	16	767	553	780	22230-234	22230-238	20191-089
15	20	945	553	400	22230-231	22230-235	20191-089
16	20	945	553	500	22230-232	22230-236	20191-089
17	20	945	553	600	22230-233	22230-237	20191-089
18	20	945	553	780	22230-234	22230-238	20191-089
19	25	1167	553	500	22230-232	22230-236	20191-089
20	25	1167	553	600	22230-233	22230-237	20191-089
21	25	1167	553	780	22230-234	22230-238	20191-089
22	34	1567	553	500	22230-232	22230-236	20191-089
23	34	1567	553	600	22230-233	22230-237	20191-089
24	34	1567	553	780	22230-234	22230-238	20191-089

Cabinets - *minirack* ServicePlus

Base/plinth

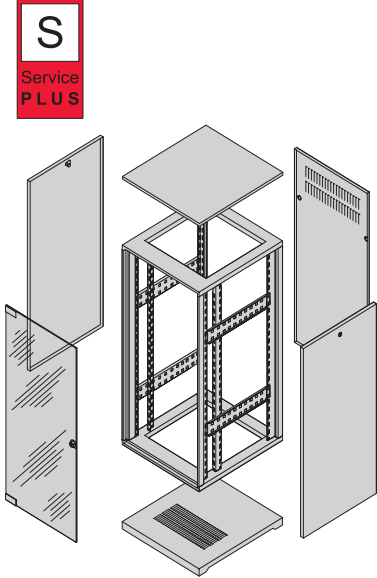
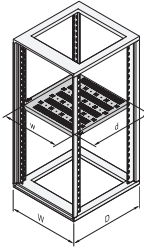
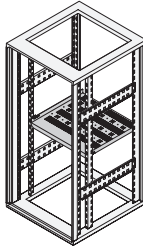
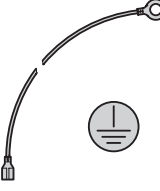
Order Information

					Base/plinth, stationary			Base/plinth, mobile
					Base/plinth	Adjustable feet	Castors	
								
					00205064		00205067	00205065
					St, 2.5 mm, RAL 7021, height 45 mm, with perforation	St, polyamide, black, load-carrying capacity 100 kg per foot	Load-carrying capacity 60 kg per castor	St, 2 mm, RAL 7021, with perforation, castors, load-carrying capacity 60 kg per castor
No.	Cabinet dimensions				1 piece assembled	PU 4 pieces supplied loose	PU 4 pieces supplied loose	1 piece assembled
	Height U	Height mm	Width mm	Depth mm				
1	6	322	553	400	22230-239	21101-124	20230-408	22230-241
2	6	322	553	500	22230-165	21101-124	20230-408	22230-167
3	6	322	553	600	22230-166	21101-124	20230-408	22230-168
4	9	456	553	400	22230-239	21101-124	20230-408	22230-241
5	9	456	553	500	22230-165	21101-124	20230-408	22230-167
6	9	456	553	600	22230-166	21101-124	20230-408	22230-168
7	12	589	553	400	22230-239	21101-124	20230-408	22230-241
8	12	589	553	500	22230-165	21101-124	20230-408	22230-167
9	12	589	553	600	22230-166	21101-124	20230-408	22230-168
10	12	589	553	780	22230-240	21101-124	20230-408	22230-242
11	16	767	553	400	22230-239	21101-124	20230-408	22230-241
12	16	767	553	500	22230-165	21101-124	20230-408	22230-167
13	16	767	553	600	22230-166	21101-124	20230-408	22230-168
14	16	767	553	780	22230-240	21101-124	20230-408	22230-242
15	20	945	553	400	22230-239	21101-124	20230-408	22230-241
16	20	945	553	500	22230-165	21101-124	20230-408	22230-167
17	20	945	553	600	22230-166	21101-124	20230-408	22230-168
18	20	945	553	780	22230-240	21101-124	20230-408	22230-242
19	25	1167	553	500	22230-165	21101-124	20230-408	22230-167
20	25	1167	553	600	22230-166	21101-124	20230-408	22230-168
21	25	1167	553	780	22230-240	21101-124	20230-408	22230-242
22	34	1567	553	500	22230-165	21101-124	20230-408	22230-167
23	34	1567	553	600	22230-166	21101-124	20230-408	22230-168
24	34	1567	553	780	22230-240	21101-124	20230-408	22230-242

Cabinets - *minirack* ServicePlus

19" shelves, stationary


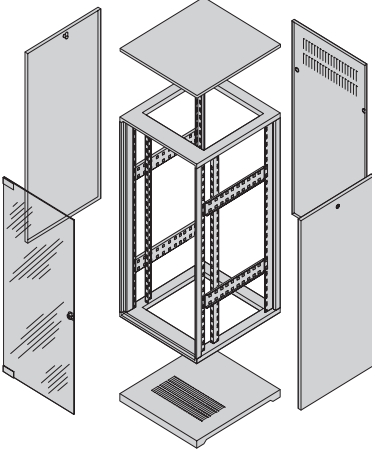
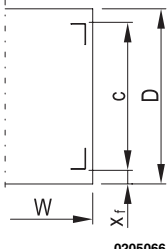
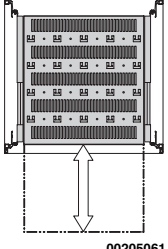
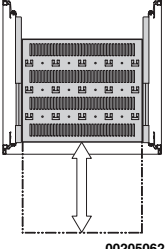
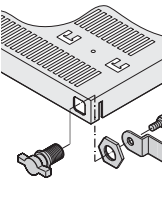
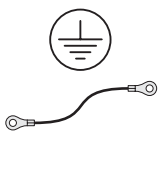
Order Information

					19" shelf, stationary		
					For 19" frame	For Universal frame	GND/earthing
					 00205068 Full depth, St. 1.5 mm, RAL 7021, static load-carrying capacity 75 kg, with perforation	 00205054 Recessed by 100 mm, St. 1.5 mm, RAL 7021, static load-carrying capacity 75 kg, with perforation, please order 19" panel mounts and depth members separately	 aza43284 For shelf, stationary
					1 piece assembled	1 piece assembled	PU 1 kit assembled
No.	Height U	Height mm	Width mm	Depth mm	1 piece assembled	1 piece assembled	PU 1 kit assembled
1	6	322	553	400	22230-251	–	21101-541
2	6	322	553	500	22230-169	22230-253	21101-541
3	6	322	553	600	22230-170	22230-254	21101-541
4	9	456	553	400	22230-251	–	21101-541
5	9	456	553	500	22230-169	22230-253	21101-541
6	9	456	553	600	22230-170	22230-254	21101-541
7	12	589	553	400	22230-251	–	21101-541
8	12	589	553	500	22230-169	22230-253	21101-541
9	12	589	553	600	22230-170	22230-254	21101-541
10	12	589	553	780	22230-252	22230-255	21101-541
11	16	767	553	400	22230-251	–	21101-541
12	16	767	553	500	22230-169	22230-253	21101-541
13	16	767	553	600	22230-170	22230-254	21101-541
14	16	767	553	780	22230-252	22230-255	21101-541
15	20	945	553	400	22230-251	–	21101-541
16	20	945	553	500	22230-169	22230-253	21101-541
17	20	945	553	600	22230-170	22230-254	21101-541
18	20	945	553	780	22230-252	22230-255	21101-541
19	25	1167	553	500	22230-169	22230-253	21101-541
20	25	1167	553	600	22230-170	22230-254	21101-541
21	25	1167	553	780	22230-252	22230-255	21101-541
22	34	1567	553	500	22230-169	22230-253	21101-541
23	34	1567	553	600	22230-170	22230-254	21101-541
24	34	1567	553	780	22230-252	22230-255	21101-541

Cabinets - *minirack* ServicePlus

19" telescopic shelves 2 U, 70 kg


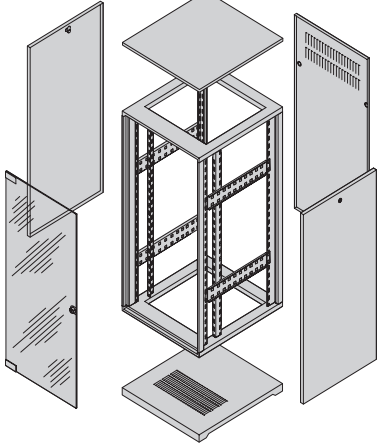
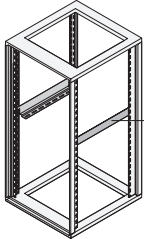
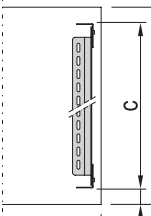
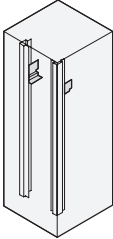
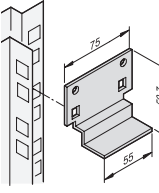
Order Information

  Cabinet dimensions Height Height Width Depth No. U mm mm mm					Dimension standard assembly  0205066 X _f = distance from front (min. 33 mm) c = pitch of 19" slide mounts D = cabinet depth W = cabinet width	19" telescopic shelf, 2 U, 70 kg			
						Full depth  00205061 St. 1.5 mm, RAL 7021, incl. telescopic slide, please order T-bar lock and GND/earthing kit separately	Shortened by 100 mm  00205062 St. 1.5 mm, RAL 7021, incl. telescopic slide, please order T-bar lock and GND/earthing kit separately	T-bar lock  01004125 For locking of telescopic shelf	GND/earthing  05904052 For telescopic shelf
		c							
					mm				
						1 piece assembled	1 piece assembled	1 piece assembled	PU 1 kit assembled
1	6	322	553	400		–	–	–	–
2	6	322	553	500		–	–	–	–
3	6	322	553	600	450 - 550	21130-353	21130-352	23130-092	23130-140
4	9	456	553	400		–	–	–	–
5	9	456	553	500		–	–	–	–
6	9	456	553	600	450 - 550	21130-353	21130-352	23130-092	23130-140
7	12	589	553	400		–	–	–	–
8	12	589	553	500		–	–	–	–
9	12	589	553	600	450 - 550	21130-353	21130-352	23130-092	23130-140
10	12	589	553	780	650 - 750	21130-355	21130-354	23130-092	23130-140
11	16	767	553	400		–	–	–	–
12	16	767	553	500		–	–	–	–
13	16	767	553	600	450 - 550	21130-353	21130-352	23130-092	23130-140
14	16	767	553	780	650 - 750	21130-355	21130-354	23130-092	23130-140
15	20	945	553	400		–	–	–	–
16	20	945	553	500		–	–	–	–
17	20	945	553	600	450 - 550	21130-353	21130-352	23130-092	23130-140
18	20	945	553	780	650 - 750	21130-355	21130-354	23130-092	23130-140
19	25	1167	553	500		–	–	–	–
20	25	1167	553	600	450 - 550	21130-353	21130-352	23130-092	23130-140
21	25	1167	553	780	650 - 750	21130-355	21130-354	23130-092	23130-140
22	34	1567	553	500		–	–	–	–
23	34	1567	553	600	450 - 550	21130-353	21130-352	23130-092	23130-140
24	34	1567	553	780	650 - 750	21130-355	21130-354	23130-092	23130-140

Cabinets - *minirack* ServicePlus

Slide rails

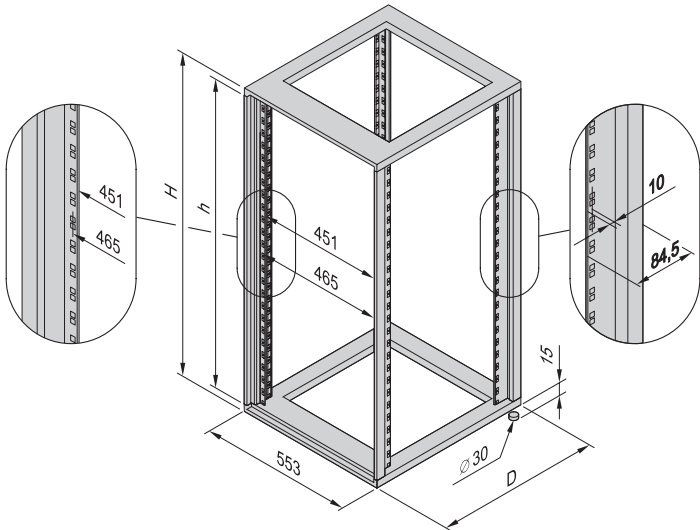
Order Information

 					Slide rail		Short slide rail		
					For 19" frame	For Universal frame			
					 <p>00205058</p> <p>Full depth, St, 1.5 mm, AlZn, static load-carrying capacity 25 kg</p>	 <p>00205069</p> <p>Recessed by 100 mm, St, 1.5 mm, AlZn, static load-carrying capacity 25 kg, please order 19" panel mounts and depth members separately</p>	 <p>era46348</p>	 <p>sc96xxxx</p> <p>St, 1.5 mm, AlZn, static load-carrying capacity 15 kg</p>	
No.	Cabinet dimensions	Height U	Height mm	Width mm	Depth mm	PU 2 pieces assembled	PU 2 pieces assembled	PU 2 pieces supplied loose	PU 10 pieces supplied loose
1	6	322	553	400	20230-866	–	20118-592	20118-593	
2	6	322	553	500	20230-867	20230-866	20118-592	20118-593	
3	6	322	553	600	20230-868	20230-867	20118-592	20118-593	
4	9	456	553	400	20230-866	–	20118-592	20118-593	
5	9	456	553	500	20230-867	20230-866	20118-592	20118-593	
6	9	456	553	600	20230-868	20230-867	20118-592	20118-593	
7	12	589	553	400	20230-866	–	20118-592	20118-593	
8	12	589	553	500	20230-867	20230-866	20118-592	20118-593	
9	12	589	553	600	20230-868	20230-867	20118-592	20118-593	
10	12	589	553	780	20230-869	20230-870	20118-592	20118-593	
11	16	767	553	400	20230-866	–	20118-592	20118-593	
12	16	767	553	500	20230-867	20230-866	20118-592	20118-593	
13	16	767	553	600	20230-868	20230-867	20118-592	20118-593	
14	16	767	553	780	20230-869	20230-870	20118-592	20118-593	
15	20	945	553	400	20230-866	–	20118-592	20118-593	
16	20	945	553	500	20230-867	20230-866	20118-592	20118-593	
17	20	945	553	600	20230-868	20230-867	20118-592	20118-593	
18	20	945	553	780	20230-869	20230-870	20118-592	20118-593	
19	25	1167	553	500	20230-867	20230-866	20118-592	20118-593	
20	25	1167	553	600	20230-868	20230-867	20118-592	20118-593	
21	25	1167	553	780	20230-869	20230-870	20118-592	20118-593	
22	34	1567	553	500	20230-867	20230-866	20118-592	20118-593	
23	34	1567	553	600	20230-868	20230-867	20118-592	20118-593	
24	34	1567	553	780	20230-869	20230-870	20118-592	20118-593	

Cabinets - *minirack* ServicePlus

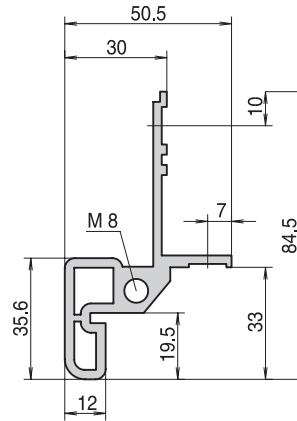
Dimensions 19" frame

19" frame



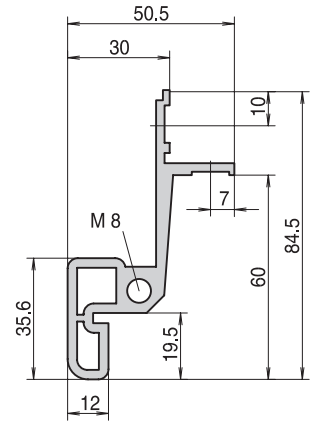
00205071

Front upright with 19" plane



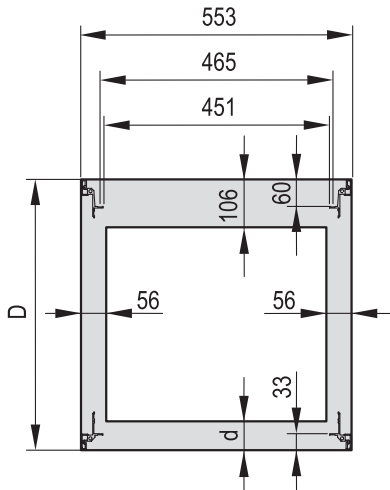
mra44490

Rear upright with 19" plane



mra44289

Plan view



mra45965

d = 64 mm for D = 400/500/600 mm

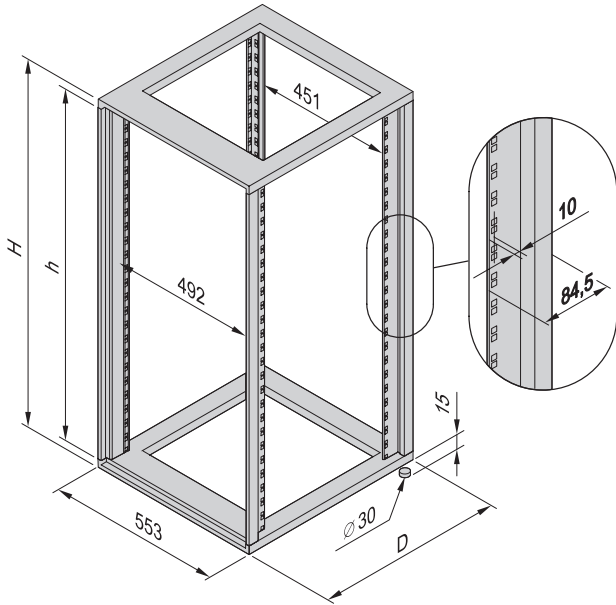
d = 106 mm for D = 780 mm

- The mounting depth is calculated by subtracting the distance between leading and trailing edge to the upright depth from the full depth D, e.g. $D - (33 + 60) = \text{dimension c}$

Cabinets - *minirack* ServicePlus

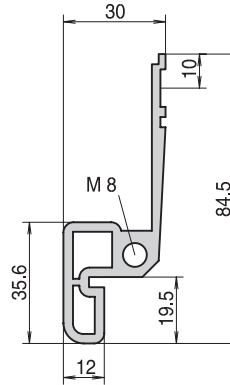
Dimensions Universal frame

Universal frame



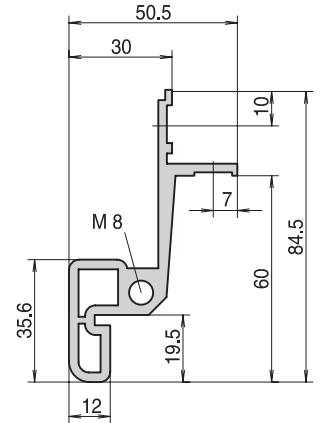
00205072

Universal front upright



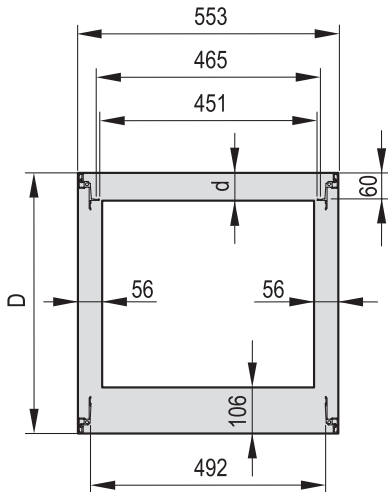
mra44490

Rear upright with 19" plane



mra44289

Plan view



mra45966

d = 64 mm for D = 400/500/600 mm d = 106 mm for D = 780 mm