

PLEASE CHECK WWW.MOLEX.COM FOR LATEST PART INFORMATION

Part Number: [46235-0002](#)
Status: **Active**
Overview: Micro-Fit 3.0™ Connectors
Description: Micro-Fit RMF™ Reduced Mating Force, Crimp Terminal, Female, with 0.76µm Selective Gold (Au) over Nickel (Ni), 20-24 AWG, without Lubricant

Documents:

[Drawing \(PDF\)](#) [RoHS Certificate of Compliance \(PDF\)](#)
[Product Specification PS-46235-001 \(PDF\)](#) [Product Literature \(PDF\)](#)
[Test Summary TS-46235-001 \(PDF\)](#)

General

Product Family	Crimp Terminals
Series	46235
Application	Power
Comments	Up to 50% reduction in mating force
Crimp Quality Equipment	Yes
Overview	<u>Micro-Fit 3.0™ Connectors</u>
Product Literature Order No	987650-5984
Product Name	Micro-Fit RMF™
UPC	800756683492

Physical

Durability (mating cycles max)	40
Gender	Female
Material - Metal	Copper-Zinc-Tin
Material - Plating Mating	Gold
Material - Plating Termination	Nickel
Net Weight	0.046/g
Packaging Type	Reel
Plating min - Mating	0.762µm
Plating min - Termination	1.270µm
Termination Interface: Style	Crimp or Compression
Wire Insulation Diameter	1.85mm max.
Wire Size AWG	20, 22, 24
Wire Size mm²	N/A

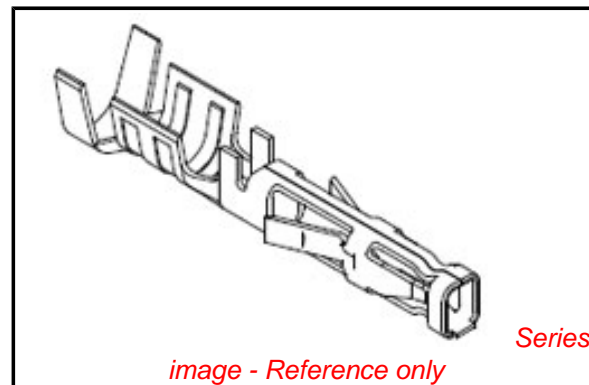
Electrical

Current - Maximum per Contact	5A
-------------------------------	----

Material Info

Reference - Drawing Numbers

Product Specification	PS-46235-001
Sales Drawing	SD-46235-001
Test Summary	TS-46235-001



EU RoHS

ELV and RoHS Compliant
REACH SVHC Contains SVHC: No
Low-Halogen Status Low-Halogen

China RoHS



Need more information on product environmental compliance?

Email productcompliance@molex.com
 For a multiple part number RoHS Certificate of Compliance, [click here](#)

Please visit the [Contact Us](#) section for any non-product compliance questions.

Search Parts in this Series

[46235Series](#)

Mates With

[43031](#) Micro-Fit 3.0™ Male Crimp Terminals

Use With

[43025](#) , [43645](#) Micro-Fit 3.0™ Receptacle Housings, [44133](#) Micro-Fit BMI™ Panel Mount Receptacle Housings

Application Tooling | FAQ

Tooling specifications and manuals are found by selecting the products below. Crimp Height Specifications are then contained in the Application Tooling Specification document.

Global

Description	Product #
Hand Crimp Tool for Low Force Crimp Terminals	0638192900
FineAdjust™ Applicator for	0639001400

Low Force Crimp Terminals, 20-24 AWG Wire	
T2 Terminator	<u>0639101400</u>
Tooling to be used with Low Force Crimp Terminals, 20-24 AWG Wire	
Extraction Tool	<u>0011030043</u>

This document was generated on 10/08/2014

PLEASE CHECK WWW.MOLEX.COM FOR LATEST PART INFORMATION