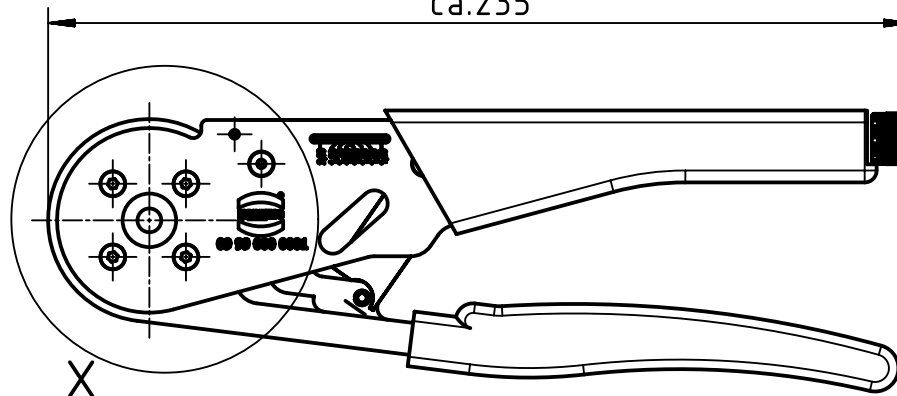
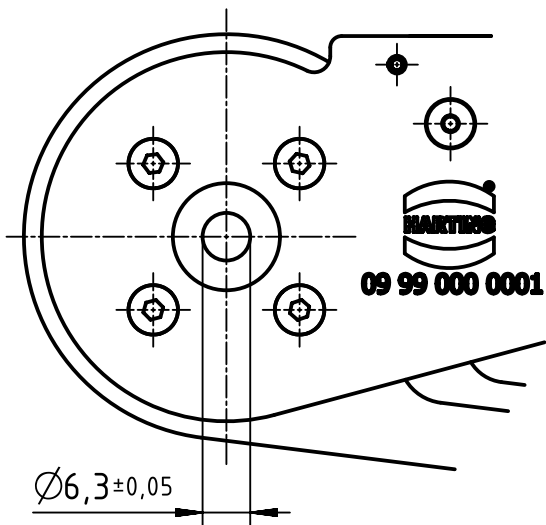


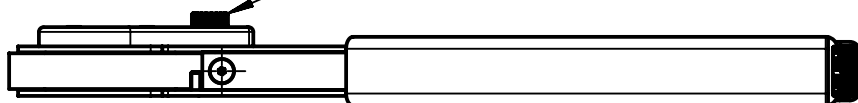
X (1:1)

ca.235

*Usage of contact 09 15 000 6107/6207

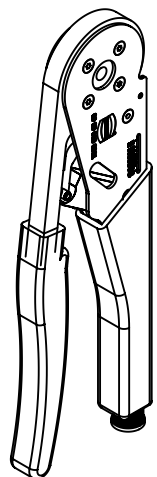


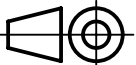
Slide starp assembly
and slide locking screw



Contacts	mm ²	AWG	Crimping depth
Han D	0,14*	26	1,00
	0,37	22	1,30
	0,50	20	1,55
	0,75	18	1,55
	1,00	18	1,55
	1,50	16	1,80
	1,38	16	1,55
	2,50	14	1,55
Han E	2,10	14	1,45
	0,50	20	1,55
	0,75	18	1,55
	1,00	18	1,55
	1,50	16	1,80
	1,38	16	1,60
	2,50	14	1,60
	2,10	14	1,70
Han C	3,00	12	2,00
	4,00	12	2,00
	1,50	16	1,80
	2,50	14	1,60
	4,00	12	2,00

Crimping depth adjustable from Ø1mm to Ø2mm



	All Dimensions in mm Original Size DIN A4	Scale 1:2		Free size tol.		Ref.			
		Created by FINKEV		Inspected by BERGHORN		Standardisation TIEMANNA		Date 2018-02-15	
All rights reserved Department EL PD - DE		Title Buchanan Crimping Tool, Han				State Final Release		Doc-Key / ECM-Nr. 100090804 / UGD/005/A 500000131102	
HARTING Electric GmbH & Co. KG D-32339 Espelkamp		Type TB		Number 09 99 000 0001		Rev. A		Page 1/1	