

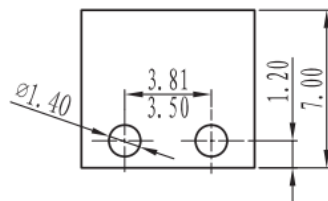
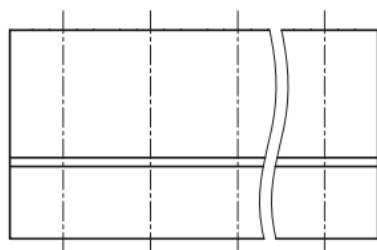
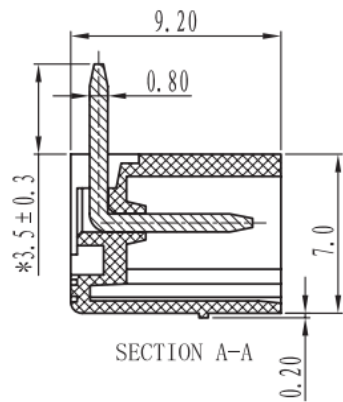
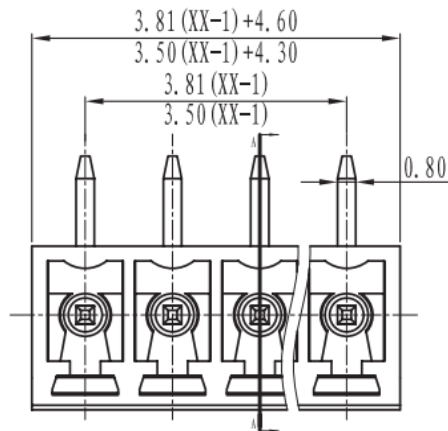
# Datasheet

## New 3.5mm Header Horizontal 8A 2 Way

RS Stock 874-5215



### Dimensions: (mm)





## Specifications

- Rated Voltage: 300V 8A
- Rated Current: 8A
- Pitch: 3.81mm
- Contact Resistance: 20mΩ
- Insulation Withstands Voltage: AC 2000 V at 1 minute
- Insulation Resistance: 500ΩM or more at DC500V
- Using Temperature Range: -40°C ~ +105°C
- Suitable Electric Wire: 28~16 AWG
- RoHS Compliance

## Materials

- Housing: PA66 / UL94V-0
- Pin Head: Brass Tin Plated

|                | linear dimension |                       |                         |                          |                   | fillet | chamfer |                 | ∠ short angle sid |                        |                         |                   | ≡   | —       | □                     | //                      | ⊥                 |
|----------------|------------------|-----------------------|-------------------------|--------------------------|-------------------|--------|---------|-----------------|-------------------|------------------------|-------------------------|-------------------|-----|---------|-----------------------|-------------------------|-------------------|
|                | to               | over<br>6<br>to<br>30 | over<br>30<br>to<br>120 | over<br>120<br>to<br>480 | over<br>480<br>to | all    | to<br>6 | over<br>6<br>to | to<br>10          | over<br>10<br>to<br>50 | over<br>50<br>to<br>120 | over<br>120<br>to | all | to<br>5 | over<br>5<br>to<br>30 | over<br>30<br>to<br>120 | over<br>120<br>to |
| variable range | to 6             | over 6 to 30          | over 30 to 120          | over 120 to 480          | over 480 to       | all    | to 6    | over 6 to       | to 10             | over 10 to 50          | over 50 to 120          | over 120 to       | all | to 5    | over 5 to 30          | over 30 to 120          | over 120 to       |
| tolerance      | ±0.1             | ±0.2                  | ±0.3                    | ±0.5                     | ±0.9              | ±0.2   | ±0.5    | ±1              | 1°                | 30'                    | 20'                     | 10'               | 0.5 | 0.025   | 0.06                  | 0.12                    | 0.4               |