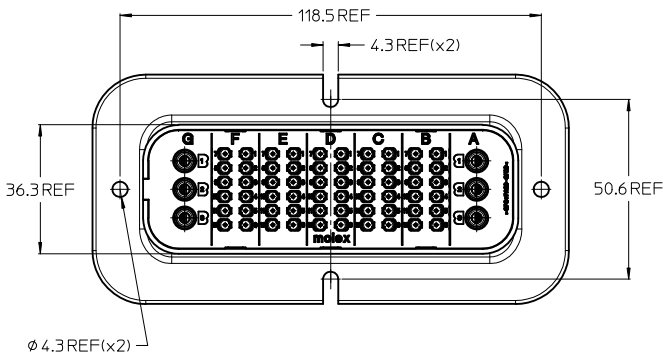
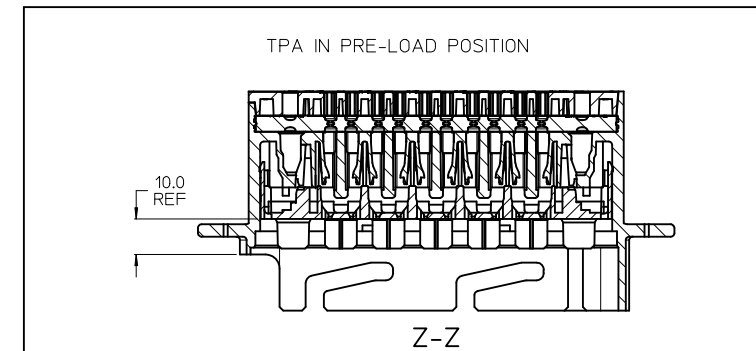
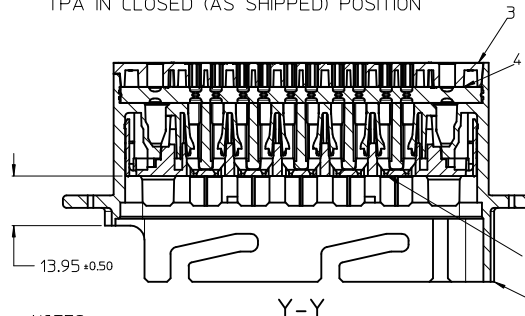


TPA IN CLOSED (AS SHIPPED) POSITION



NOTES:

1. MATERIALS:  
HOUSINGS: SPS/NYLON BLEND, GLASS FILLED, UL 94 HB  
SEAL: LIQUID SILICONE RUBBER
2. MX150 BLADE TERMINAL PER SD-33000-001 TO BE USED WITH THIS ASSEMBLY IN CAVITIES B, C, D, E AND F CRIMPED WITH CABLE INSULATION OUTER DIAMETER IN THE RANGE 1.5mm TO 2.69mm
3. MX150L BLADE TERMINAL PER SD-19431-002 TO BE USED WITH THIS ASSEMBLY IN CAVITIES A AND G CRIMPED WITH CABLE INSULATION OUTER DIAMETER IN THE RANGE 3.61mm TO 5.54mm
4. PRODUCT SPECIFICATION: PS-85083-001
5. PACKAGING SPECIFICATION: PK-85071-001
6. MATES WITH: SRC 60+6AG POWER RECEPTACLE HOUSING ASSEMBLY PER SD-85084-700
7. APPLICATION SPECIFICATION: AS-85083-001
8. FLANGE GASKET OPTIONS: REFER TO SD-85071-016

No.	DESCRIPTION	QTY.	COLOUR
4	MALE BACK SEAL	1	RED
3	MALE REAR COVER	1	BLACK
2	MALE FRONT COVER	1	GREEN
1	MALE HOUSING	1	BLACK
BILL OF MATERIAL			

ADD POWER OPTIONS  
 EC NO: WEU2012-0136  
 DRAWN: JOCONNOR 2011/11/03  
 CHKD: WALLACE 2012/02/10  
 APPR: EFOLAN 2012/02/22

QUALITY SYMBOLS  
 ▽=0  
 ▽=0

GENERAL TOLERANCES (UNLESS SPECIFIED)

	mm	INCH
4 PLACES	± .005	± .0005
3 PLACES	± .002	± .0002
2 PLACES	± 0.20	± .008
1 PLACE	± 0.5	± .020
ANGULAR ± .5°		

DRAFT WHERE APPLICABLE  
 MUST REMAIN WITHIN DIMENSIONS

DIMENSION STYLE  
**MM ONLY**

SCALE  
**1:1**

DESIGN UNITS  
**METRIC**

THIRD ANGLE PROJECTION

DRAWN BY: TVOGT DATE: 2009/03/26  
 CHECKED BY: RSILLER DATE: 2009/03/30  
 APPROVED BY: AVOGT DATE: 2009/03/31

MATERIAL NO. **850830300**  
 DOCUMENT NO. **SD-85083-300**

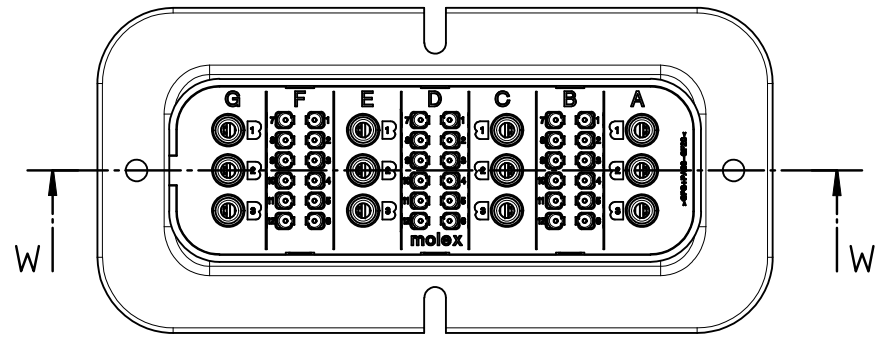
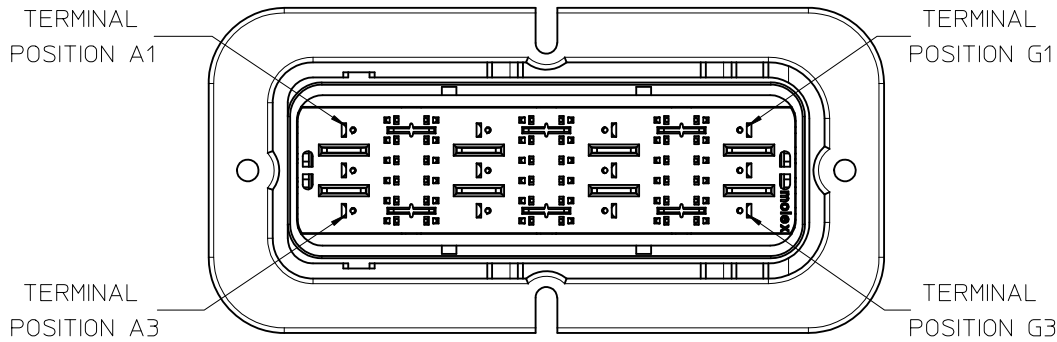
SIZE **A2**

TITLE  
**SRC MIXED POWER MALE BLADE HOUSING ASSEMBLY**

**MOLEX INCORPORATED**

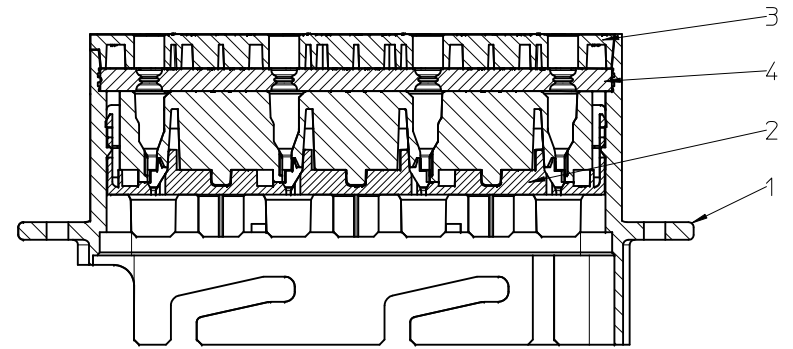
SHEET NO. **1 OF 4**

THIS DRAWING CONTAINS INFORMATION THAT IS PROPRIETARY TO MOLEX INCORPORATED AND SHOULD NOT BE USED WITHOUT WRITTEN PERMISSION



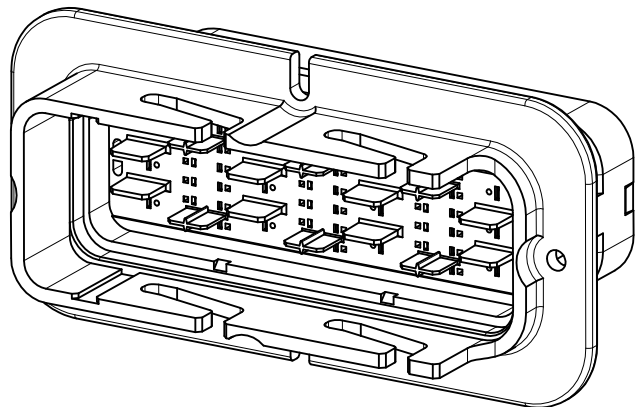
NOTES:

1. REFERENCE SHEET 1 FOR UNSPECIFIED NOTES AND DIMENSIONS
2. MX150 BLADE TERMINAL PER SD-33000-001 TO BE USED WITH THIS ASSEMBLY IN CAVITIES B, D AND F, CRIMPED WITH CABLE INSULATION OUTER DIAMETER IN THE RANGE 1.5mm TO 2.69mm
3. MX150L BLADE TERMINAL PER SD-19431-002 TO BE USED WITH THIS ASSEMBLY IN CAVITIES A, C, E AND G, CRIMPED WITH CABLE INSULATION OUTER DIAMETER IN THE RANGE 3.61mm TO 5.54mm
4. MATES WITH: SRC 36+12ACEG POWER RECEPTACLE HOUSING ASSEMBLY (PART NUMBER 850843612) PER SD-85084-700

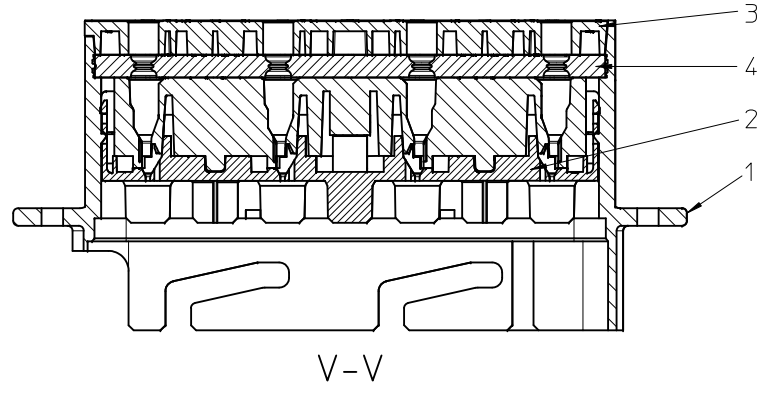
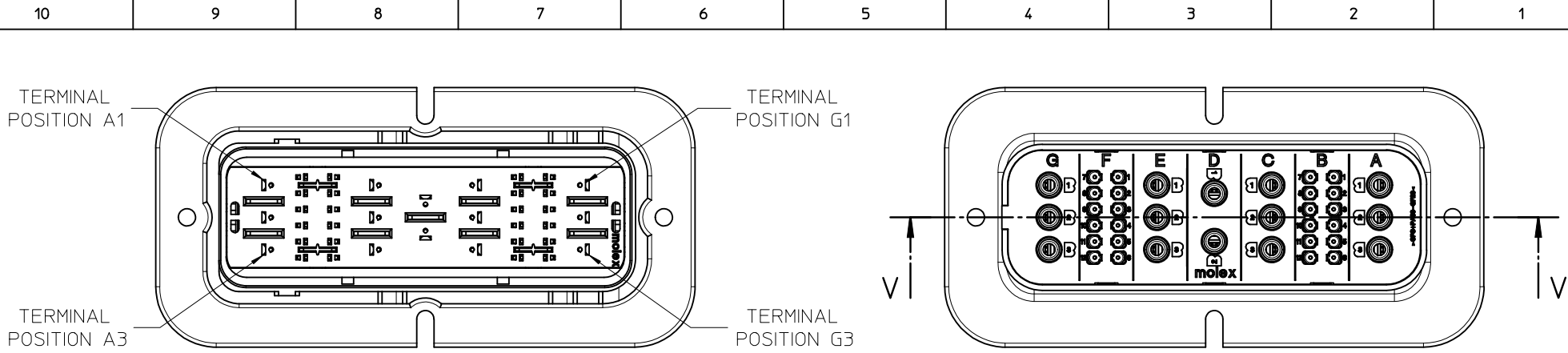


SECTION W-W

4	MALE BACK SEAL	1	RED
3	MALE REAR COVER	1	BLACK
2	MALE FRONT COVER	1	GREEN
1	MALE HOUSING	1	BLACK
No.	DESCRIPTION	QTY.	COLOUR
BILL OF MATERIAL			



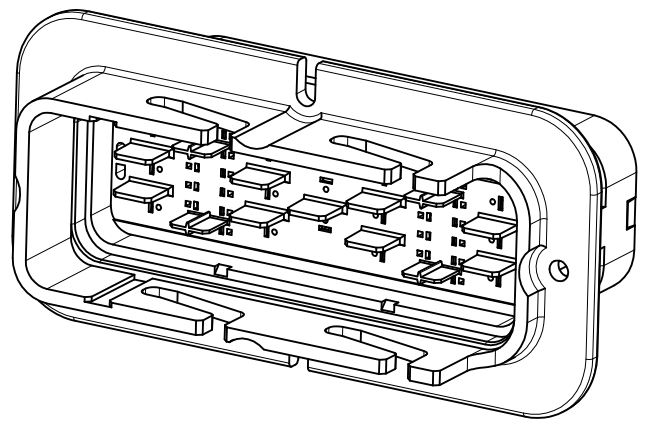
SEE SHEET ONE EC NO: WEU2012-0136 DRWN: JOCANNOR 2011/11/03 CHKD: J WALLACE 2012/02/10 APPR: EFOLAN 2012/02/22	QUALITY SYMBOLS	GENERAL TOLERANCES (UNLESS SPECIFIED)		DIMENSION STYLE MM ONLY		SCALE 1:1	DESIGN UNITS METRIC	THIRD ANGLE PROJECTION
	▽=0 ∇=0	mm	INCH	DRAWN BY TVOGT	DATE 2009/03/26	TITLE SRC MIXED POWER MALE BLADE HOUSING ASSEMBLY		
		4 PLACES ± --- ± ---	3 PLACES ± --- ± ---	CHECKED BY RSILLER	DATE 2009/03/30	MOLEX INCORPORATED		
		2 PLACES ± 0.20 ± ---	1 PLACE ± 0.5 ± ---	APPROVED BY AVOGT	DATE 2009/03/31	MATERIAL NO. 850833612	DOCUMENT NO. SD-85083-300	SHEET NO. 2 OF 4
	ANGULAR ± .5 °		DRAFT WHERE APPLICABLE MUST REMAIN WITHIN DIMENSIONS		THIS DRAWING CONTAINS INFORMATION THAT IS PROPRIETARY TO MOLEX INCORPORATED AND SHOULD NOT BE USED WITHOUT WRITTEN PERMISSION			



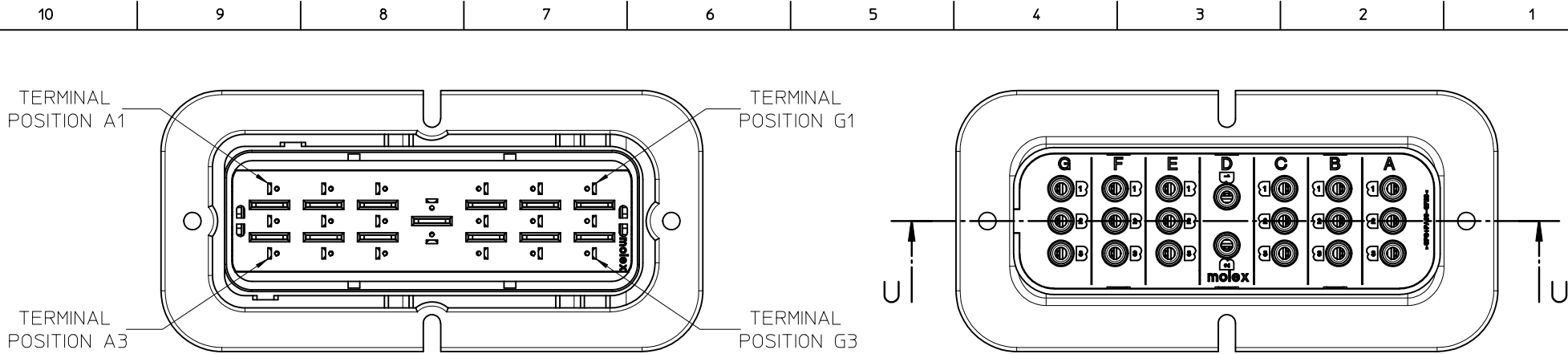
4	MALE BACK SEAL	1	RED
3	MALE REAR COVER	1	BLACK
2	MALE FRONT COVER	1	GREEN
1	MALE HOUSING	1	BLACK
No.	DESCRIPTION	QTY.	COLOUR

BILL OF MATERIAL

- NOTES:
1. REFERENCE SHEET 1 FOR UNSPECIFIED NOTES AND DIMENSIONS
  2. MX150 BLADE TERMINAL PER SD-33000-001 TO BE USED WITH THIS ASSEMBLY IN CAVITIES B AND F, CRIMPED WITH CABLE INSULATION OUTER DIAMETER IN THE RANGE 1.5mm TO 2.69mm
  3. MX150L BLADE TERMINAL PER SD-19431-002 TO BE USED WITH THIS ASSEMBLY IN CAVITIES A, C, D, E AND G, CRIMPED WITH CABLE INSULATION OUTER DIAMETER IN THE RANGE 3.61mm TO 5.54mm
  4. MATES WITH: SRC 24+14ACDEG POWER RECEPTACLE HOUSING ASSEMBLY (PART NUMBER 850842414) PER SD-85084-700

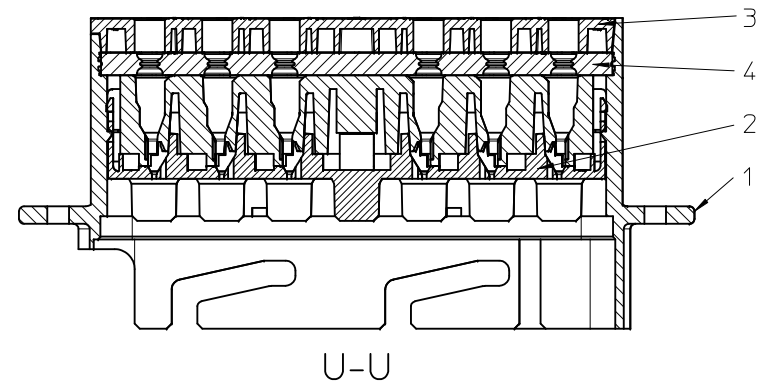


SEE SHEET ONE EC NO: WEU2012-0136 DRWN: JOCONNOR 2011/11/03 CHKD: JMALLACE 2012/02/10 APPR: EFOLAN 2012/02/22	DESCRIPTION	QUALITY SYMBOLS	GENERAL TOLERANCES (UNLESS SPECIFIED)		DIMENSION STYLE MM ONLY		SCALE 1:1	DESIGN UNITS METRIC	THIRD ANGLE PROJECTION	
		▽=0	mm	INCH	DRAWN BY TVOGT	DATE 2009/03/26	TITLE SRC MIXED POWER MALE BLADE HOUSING ASSEMBLY			
		∇=0	4 PLACES ± ---	+ ---	CHECKED BY RSILLER	DATE 2009/03/30				
				3 PLACES ± ---	+ ---	APPROVED BY AVOGT	DATE 2009/03/31	MATERIAL NO. 850832414		
		2 PLACES ± 0.20	+ ---	DRAFT WHERE APPLICABLE MUST REMAIN WITHIN DIMENSIONS		MOLEX INCORPORATED		DOCUMENT NO. SD-85083-300		
		1 PLACE ± 0.5	+ ---	ANGULAR ± .5 °		SHEET NO. 3 OF 4		THIS DRAWING CONTAINS INFORMATION THAT IS PROPRIETARY TO MOLEX INCORPORATED AND SHOULD NOT BE USED WITHOUT WRITTEN PERMISSION		



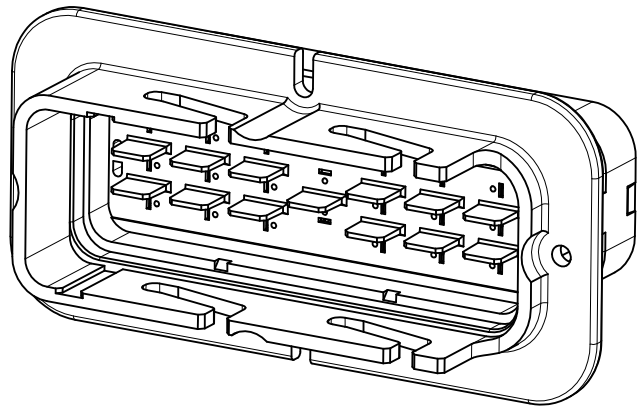
NOTES:

1. REFERENCE SHEET 1 FOR UNSPECIFIED NOTES AND DIMENSIONS
2. MX150L BLADE TERMINAL PER SD-19431-002 TO BE USED WITH THIS ASSEMBLY IN ALL CAVITIES, CRIMPED WITH CABLE INSULATION OUTER DIAMETER IN THE RANGE 3.61mm TO 5.54mm
3. MATES WITH: SRC 0+20ABCDEF G POWER RECEPTACLE HOUSING ASSEMBLY (PART NUMBER 850840020) PER SD-85084-700



No.	DESCRIPTION	QTY.	COLOUR
4	MALE BACK SEAL	1	RED
3	MALE REAR COVER	1	BLACK
2	MALE FRONT COVER	1	GREEN
1	MALE HOUSING	1	BLACK

BILL OF MATERIAL



SEE SHEET ONE EC NO: WEU2012-0136 DRWN: JCONNOR 2011/11/03 CHKD: J WALLACE 2012/02/10 APPR: EFOLAN 2012/02/22	DESCRIPTION REV	QUALITY SYMBOLS	GENERAL TOLERANCES (UNLESS SPECIFIED)	DIMENSION STYLE	SCALE	DESIGN UNITS	THIRD ANGLE PROJECTION															
		$\nabla = 0$ $\nabla C = 0$	<table border="1"> <thead> <tr> <th></th> <th>mm</th> <th>INCH</th> </tr> </thead> <tbody> <tr> <td>4 PLACES</td> <td>± ---</td> <td>± ---</td> </tr> <tr> <td>3 PLACES</td> <td>± ---</td> <td>± ---</td> </tr> <tr> <td>2 PLACES</td> <td>± 0.20</td> <td>± ---</td> </tr> <tr> <td>1 PLACE</td> <td>± 0.5</td> <td>± ---</td> </tr> </tbody> </table>		mm	INCH	4 PLACES	± ---	± ---	3 PLACES	± ---	± ---	2 PLACES	± 0.20	± ---	1 PLACE	± 0.5	± ---	MM ONLY	1:1	METRIC	
			mm	INCH																		
		4 PLACES	± ---	± ---																		
3 PLACES	± ---	± ---																				
2 PLACES	± 0.20	± ---																				
1 PLACE	± 0.5	± ---																				
DRAFT WHERE APPLICABLE MUST REMAIN WITHIN DIMENSIONS	<table border="1"> <thead> <tr> <th>DRAWN BY</th> <th>DATE</th> <th>TITLE</th> </tr> </thead> <tbody> <tr> <td>TVOGT</td> <td>2009/03/26</td> <td rowspan="3">SRC MIXED POWER MALE BLADE HOUSING ASSEMBLY</td> </tr> <tr> <td>CHECKED BY</td> <td>DATE</td> </tr> <tr> <td>RSILLER</td> <td>2009/03/30</td> </tr> </tbody> </table>	DRAWN BY	DATE	TITLE	TVOGT	2009/03/26	SRC MIXED POWER MALE BLADE HOUSING ASSEMBLY	CHECKED BY	DATE	RSILLER	2009/03/30	MOLEX INCORPORATED										
DRAWN BY	DATE	TITLE																				
TVOGT	2009/03/26	SRC MIXED POWER MALE BLADE HOUSING ASSEMBLY																				
CHECKED BY	DATE																					
RSILLER	2009/03/30																					
		MATERIAL NO. <b>850830020</b>	DOCUMENT NO. <b>SD-85083-300</b>	SHEET NO. <b>4 OF 4</b>																		