

IZV048-150F-9566C-SA is a 150W RoHS compliant single 48V output Constant Voltage power supply, of waterproof design, suitable for LED lighting applications both indoors and out.

- Universal Input Voltage
- IP66 design for indoor or outdoor installation
- High Power 30W unit
- Convection Cooled
- Short circuit, over load, over voltage & over temperature protections
- Power factor corrected for high efficiency
- Prewired for convenience

Applications

- LED street lighting
- LED signs
- LED strips and tapes
- LED chain letters
- Outdoor LED lighting
- Display cases
- LED downlights and Office lighting



150W 48V 3.12A IP66 Rated Constant Voltage LED Lighting Power Supply

★ Specification

Part Number	IZV048-150F-9566C-SA
Voltage	48V
Current	3.12A
Power	150W
IP Rating	IP66
Input Voltage	170-250V
Input Frequency	50Hz to 60Hz
Input Current	0.7A
Leakage Current	<1mA
Power Factor	0.95@110VAC/220VAC
Voltage Tolerance	±0.5 %

Efficiency	higher than 85%
Set Up Time	< 1s
Over Load Protection	20% exceed is allowing
Operating Temperature	-20°C to +45°C
Storage Temperature	-40°C to +85°C
MTBF	2500K hours full load 25°C (MIL-HDBK-217F)
Safety Standards	Designed to meet EN61347-1/EN61347-2-13
EMI Standards	Meets Emissions to EN 55105, EN61547
Dimensions	L258mm x W68mm x H42 mm

Weight	1250g
Input Connections	3 core double insulated cable VDE H03VV-F 3G*0.75mm ² Brown, Blue & Green/Yellow (L=200mm)
Output Connections	2 core double insulated cable for each channel VDE H03VV-F 2G*0.75mm ² Black & red (L=200mm)

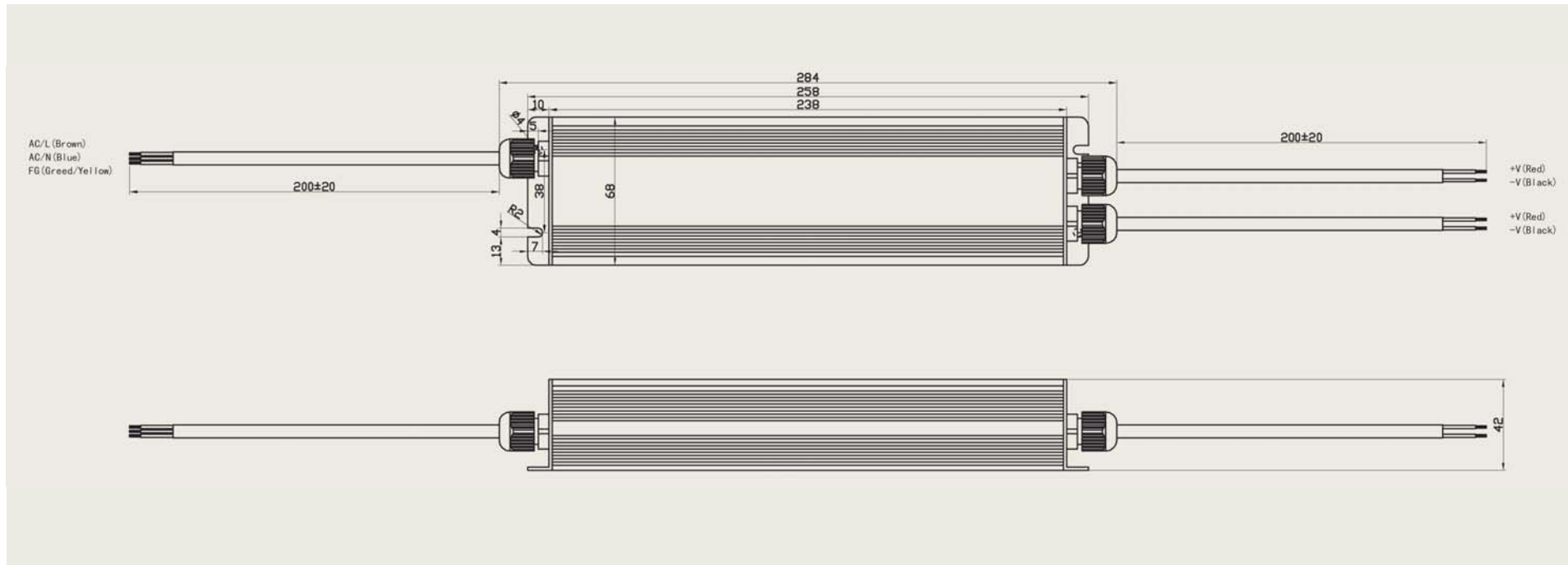


Intelligent LED Solutions, 3 Clerewater Please, Lower Way, Thatcham, Berkshire, RG19 3RF UK
 Telephone: +44 (0)1635294606 Fax: +44 (0)1635869200 Email: info@i-led.co.uk www.i-led.co.uk
 A division of Intelligent Display Solutions



150W 48V 3.12A IP66 Rated Constant Voltage LED Lighting Power Supply

★ Mechanical Drawing



Part Number	IZV048-150F-9566C-SA
Voltage	48V
Current	3.12A
Power	150W
IP Rating	IP66

Dimensions	L258mm x W68mm x H42 mm
Weight	1250g
Input Connections	3 core double insulated cable VDE H03VV-F 3G*0.75mm ² Brown, Blue & Green/Yellow (L=200mm)
Output Connections	2 core double insulated cable for each channel VDE H03VV-F 2G*0.75mm ² Black & red (L=200mm)