


**Ordering number C12226**  
**Description 1**

Family Strada-Forward  
 Type Lens  
 LED MX-3  
 Color Clear  
 Diameter 19.6+15.5 mm  
 Height 11.2 mm  
 Style Rectang  
 Optic Material PMMA  
 Holder Material -  
 Fastening -  
 Status Ready

FWHM Asym degrees  
 Efficiency 92 %  
 cd/lm -  
 Gerber File Available

[http://www.ledil.fi/Strada-F\\_Fully\\_Asymmetrical\\_Forward\\_Thro](http://www.ledil.fi/Strada-F_Fully_Asymmetrical_Forward_Thro)

**Ordering number CA12238**  
**Description 1**

Family Strada-Forward  
 Type Assembly  
 LED MX-3  
 Color Clear  
 Diameter 19.6+15.5 mm  
 Height 11.35 mm  
 Style Rectang  
 Optic Material PMMA  
 Holder Material -  
 Fastening -  
 Status Ready

FWHM Asym degrees  
 Efficiency 92 %  
 cd/lm -  
 Gerber File Available

[http://www.ledil.fi/Strada-F\\_Fully\\_Asymmetrical\\_Forward\\_Thro](http://www.ledil.fi/Strada-F_Fully_Asymmetrical_Forward_Thro)



# PRODUCT DATASHEET

## Strada-Forward series

last update 28/2/2013

**NOTE: The typical divergence will be changed by different color, chip size and chip position tolerance. The typical total divergence is the full angle measured where the luminous intensity is half of the peak value.**

D

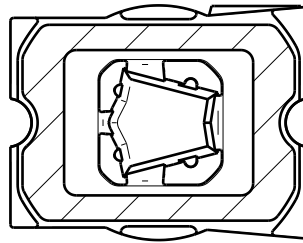
C

B

A

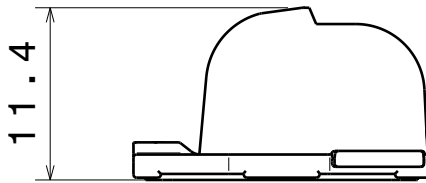
4

4



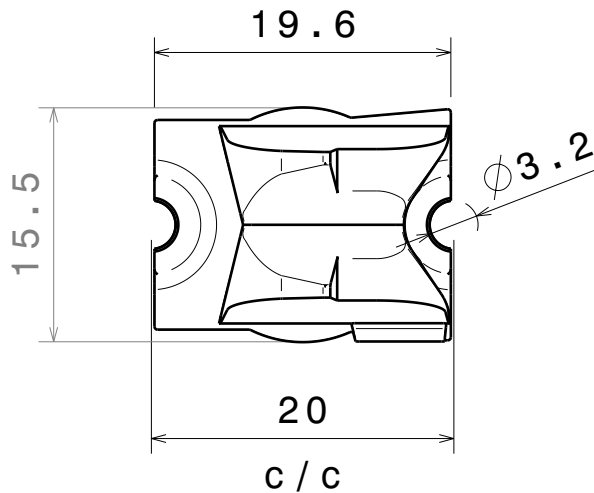
3

3



2

2



Top view  
Scale: 2:1

**MATERIALS**  
Lens: PMMA  
tape: Pu foam with PSA

This drawing is our property.  
It can't be reproduced  
or communicated without  
our written agreement.



Ledil Oy  
Salorankatu 10  
24240 SALO  
Finland

**DRAWING TITLE**

Datasheet Strada-FW-N83 assy

**DRAWN BY**

pv

**DATE**

23.8.2011

**CHECKED BY**

ah

**DATE**

22.8.2011

**DESIGNED BY**

hh

**DATE**

22.8.2011

**SIZE**

A4

**DRAWING NUMBER**

CA12238

**REV**

1

**SCALE**

2:1

**WEIGHT (g)**

**SHEET**

1/1

D

A

1

1