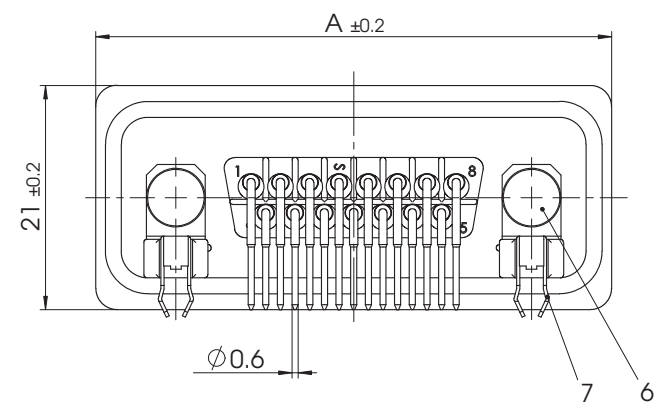
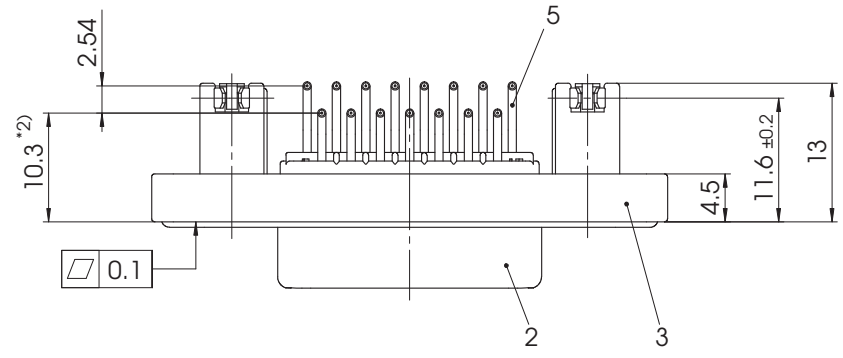
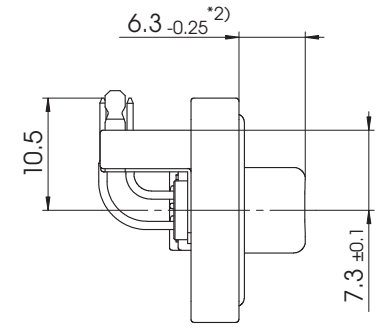
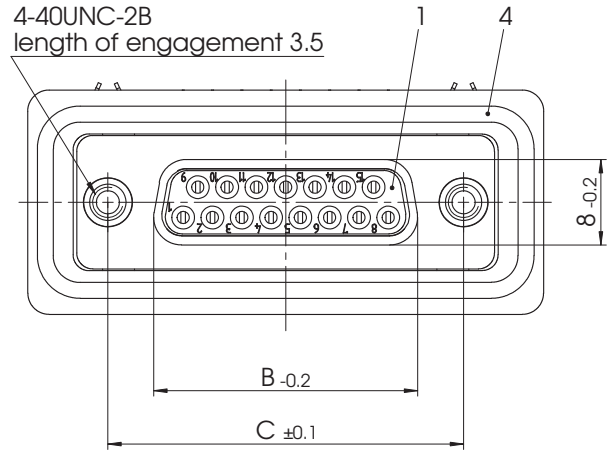


COMMENT:
 ALL RIGHTS ARE RESERVED BY US FOR THIS DRAWING. WITHOUT OUR PRIOR CONSENT,
 THIS DRAWING IS NOT TO BE REPRODUCED, COPIED, TRANSMITTED OR OTHERWISE
 AND IT ALSO MAY NOT BE IMPROPERLY USED BY THE RECEIVER, OR A THIRD PARTY.



FWDRxx *1) S25A

e.g. FWDR15S25A

*1) xx No. of contacts 09, 15 or 25

xx	A mm	B mm	C mm	*øE mm	*øF mm	*G mm	*H mm	*J mm
09	40	16.4	25	ø1	ø3	6.3	5	2.54
15	48.3	24.7	33.3					
25	62	38.5	47.04					

*PCB hole patterns, øE, øF, G, H and J on supplement AM0024

*2) Dimension starts from front surface of shell (Part-No. 2)

max. torque are 40 Ncm
 D-Sub connector with watertight frame,
 Protection standard IP67, 100% checked
 according to DIN EN 60529 (compl. mounted)

No.	St.	Part	Type	Description/Material	Surface plating/Colour/Class
7	2	Snap-in bracket	PCB 1.6mm / Bronze		tin plated
6	2	Clinch nut	WD 4-40 / Brass		tin plated
5	xx	Signal contact	S25 / Brass		AuroPur / 0.1-0.2µm Au
4	1	O-ring seal	Silicone / UL94V-0		red
3	1	Watertight frame	PBT		black
2	1	Shell	Brass		tin plated
1	1	Insulator	PBT (-25°C - +70°C)		red

Measurement without tolerance occ. to ISO 2768-m SCALE 2:1		TITLE Waterproof Connector System	
NAME / DATE DRAWN: tatjana.schneider 10-07-2013 CHECKED: Anke.Meyer-Richter 11-07-2013		DWG.NO. FWDRxxS25A	
fctgroup.com		REV. 1	
REV.	DATE	CH.-NO.	ORIGINAL: DIN A3-DRAWING AS A FILE
REPLACEMENT FOR:		PAGES 1	