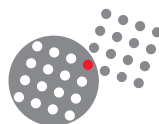




Miniature Product with a Bayonet Release

Space saving with scoop proof connector for harsh applications.

- A compact solution** ✓ Diameter up to 45% smaller than size 9 (D38999). Up to 50% shorter.
- A high density solution** ✓ With #26 contacts (according 39029). 5 layouts (size 3, 5 and 7 with #22 & #26).
- Excellent features** ✓ Designed for D38999 requirements. IP67 sealing when mated.
- RoHS and Cadmium free** ✓ Available in zinc nickel (RoHS) plating, as well as nickel and olive drab cadmium.
- Robustness** ✓ Connector available with stainless steel (1500 matings) and aluminum shell (500 matings).
- Integrated backshell** ✓ Cost and space saving.





Description

- **A compact solution**
 - The smallest connector available on the market (shell size 3)
 - Miniaturization of MIL-DTL-38999 Series I
 - Quick bayonet locking
 - Integrated backshell:
 - . Easy to wire and handle
 - . Compatible with heat shrink boot and braid retention band
 - . Compliant with overmolding
- **A versatile solution**
 - 3 shells sizes: 3, 5, 7
 - Plug; In line, square flange, oval flange and jam nut receptacle
 - 3 materials, 3 platings
 - Crimp & PC tails (on request)
 - Removable contacts #22D & #26
 - 6 keyings
- **Harsh environment-resistant solution**
 - Scoop Proof
 - Cavity to cavity sealed with interfacial seal and grommet
 - Fluid resistant



Technical Features

Mechanical

- **Shell:**
 - Aluminum alloy
 - Passivated stainless steel (for size 5 & 7)
- **Shell plating:**
 - Aluminum:
 - . Zinc nickel (RoHS)
 - . Nickel (RoHS)
 - . Olive drab cadmium
 - Passivated stainless steel (RoHS)
 - Composite (size 7)
- **Insulator:** Thermoplastic
- **Contact body:** Copper alloy
- **Contacts plating:** Gold over nickel plated
- **Shell endurance:**
 - Aluminum:
 - 250 mating/unmating cycles
 - Passivated stainless steel:
 - 1000 mating/unmating cycles
- **Vibration:**
 - 30 grms ambient, 2 axes during 8 hours

Electrical

- **Wire size**

Layout	Wire (AWG)
03-05	24-30
03-35	22-28
05-06	24-30
05-35	22-28
07-09	24-30
07-35	22-28
- **Test voltage (at sea level):**
 - Size 22D: 1000 Vrms
 - Size 26: 400 Vrms
- **Contact resistance:**
 - Size 22D: <14.6 mΩ
 - Size 26: <16 mΩ
- **Contact rating:**
 - Size 22D: 5A
 - Size 26: 3A
- **Contact retention:**
 - Size 22D: 45N
 - Size 26: 30N
- **Shell to shell continuity**

Shell size	All versions
03	< 250 mΩ
05	
07	
- **EMI:**
 - 55dB @ 1GHz

Environmental

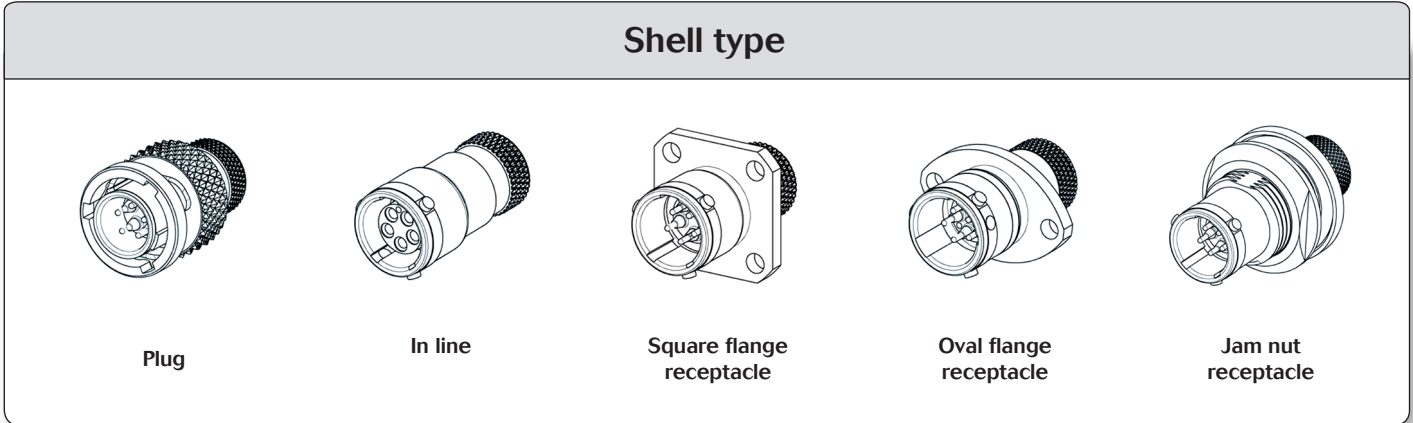
- **Temperature range:**
 - 55°C to +175°C
- **Water immersion:**
 - IP 67 on mated connector
 - 1 meter for 30 min minimum
 - > IP68 with appropriate cable termination
- **Salt spray:**
 - Zinc nickel: 500 hours
 - Nickel: 48 hours
 - Olive drab cadmium: 500 hours
 - Passivated stainless steel: 500 hours

Resistance to fluids

- **According to MIL-DTL-38999 standard**
 - Gasoline: JP5 (OTAN F44)
 - Mineral hydraulic fluid: MIL-H-5606 (OTAN H515)
 - Synthetic hydraulic fluid: Skydrol 500 B4
- **Compatible with de-icing fluids containing potassium acetate**

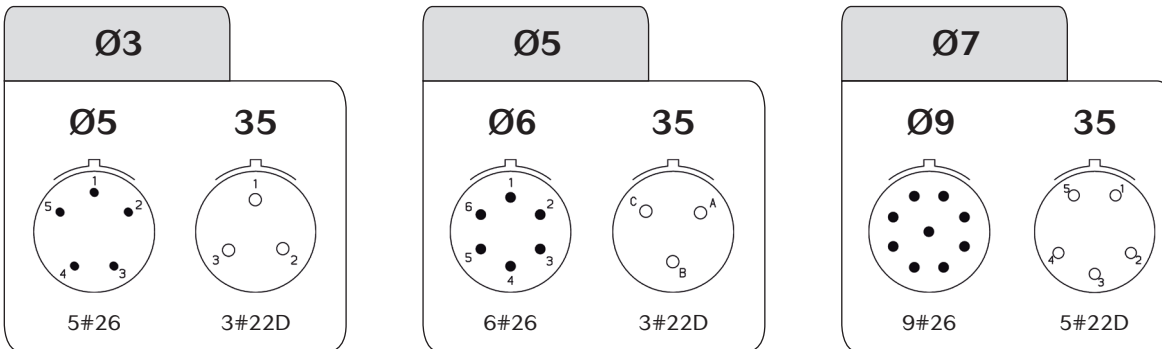
micr 38999

8LTA Bayonet Coupling



For other configuration (PC tail, specific jam nut, ...) please consult us.

Contact layouts



Ordering information

Basic Series	8LTA	Ø	Ø3	W	Ø5	P	N
Shell type:							
Ø: Square flange receptacle							
1: In line receptacle							
2: Oval flange receptacle							
6: Plug without EMI ring							
7: Jam nut receptacle							
Shell size: Ø3 - Ø5 - Ø7							
Plating :							
Z: Black zinc nickel							
F: Nickel							
W: Olive drab cadmium							
Contact layouts: See above							
Contact type:							
P: Pin							
S: Socket							
Orientation:							
N, A, B, C, D, E							

Note: Ø = Zero



Dimensions

Plug - Shell type 6

Shell size		A Max	B Max	C Max	Ø D Max	Ø E Max
3	3-05	16.2	2.2±0.15	4.6	7.2	10.5
	3-35	17.5	2.2±0.15	5.9	7.2	10.5
05		18.4	2.5±0.15	4.9	8.55	13.5
07		22.06	3.65±0.15	6.35	10.3	15.06

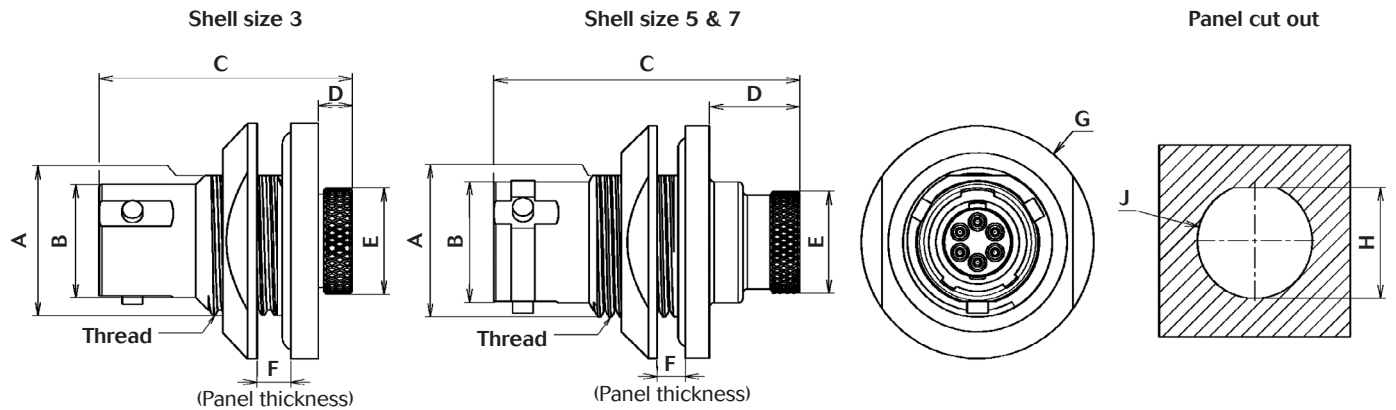
In line receptacle - Shell type 1

Shell size		A Max	B Max	C Max	Ø D Max	Ø E Max
3	3-05	16.2	2.2±0.15	4.6	7.2	8.3
	3-35	17.5	2.2±0.15	5.9	7.2	8.3
5		18.2	2.5±0.15	4.9	8.55	10.15
7		23.6	4±0.15	7.5	10.3	11.6

Note: All dimensions are in mm.

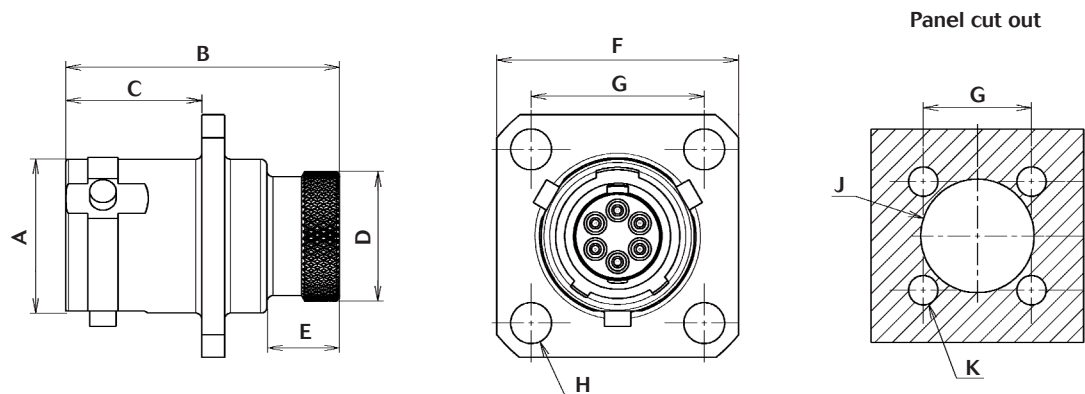


Jam nut receptacle - Shell type 7



Shell size	Thread	A Max	Ø B Max	C Max	D Max	Ø E Max	F Max	Ø G Max	H Max	Ø J Max	
3	3-05	7/16"28 UNEF 2A	10.3	8.3	16.2	2.6	7.8	1 to 3.2	17.3	11.3 ^{±0.1}	12 ^{±0.1}
	3-35	7/16"28 UNEF 2A	10.3	8.3	17.5	2.6	7.8	1 to 3.2	17.3	11.3 ^{±0.1}	12 ^{±0.1}
5	1/2"28 UNEF 2A	11.7	10.5	25.9	7.7	8.55	1 to 3.2	19.5	13 ^{±0.1}	13.5 ^{±0.1}	
7	9/16"24 UNEF 2A	13.4	11.6	33.55	10.4	10.3	1 to 3.2	20.8	14.4 ^{±0.1}	15.2 ^{±0.1}	

Square flange receptacle - Shell type 0

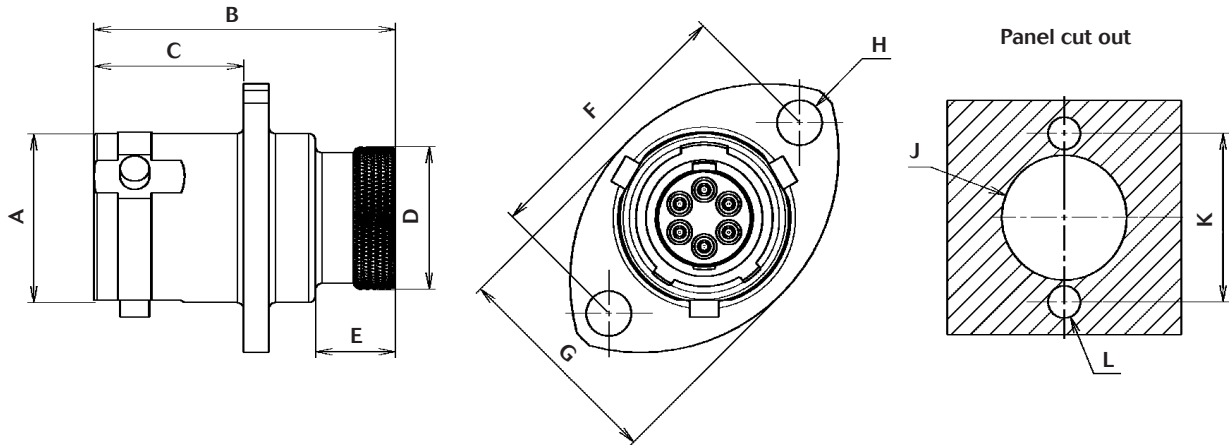


Shell size	Ø A Max	B Max	C Max	Ø D Max	E Max	F Max	G Max	Ø H Max	Ø J Max	Ø K Max	
3	3-05	8.3	16.2	8.7	7.2	4.6	15.5	10.8	2.7 ^{±0.1}	9.3 ^{±0.1}	3.1 ^{±0.1}
	3-35	8.3	17.5	8.7	7.2	5.9	15.5	10.8	2.7 ^{±0.1}	9.3 ^{±0.1}	3.1 ^{±0.1}
5	10.15	18.2	9.05	8.55	4.9	16	11.45	2.7 ^{±0.1}	12 ^{±0.1}	3.1 ^{±0.1}	
7	11.6	23.06	10.8	10.3	7.5	18	12.7	2.7 ^{±0.1}	13 ^{±0.1}	3.1 ^{±0.1}	

Note: All dimensions are in mm.



Oval flange receptacle - Shell type 2



Shell size	Ø A Max	B Max	C Max	Ø D Max	E Max	F Max	G Max	Ø H Max	Ø J Max	K Max	Ø L Max	
3	3-05	8.3	16.2	8.7	7.2	4.6	15.3 \pm 0.2	10.5 \pm 0.1	2.8	9.3 \pm 0.1	15.3 \pm 0.2	3.1 \pm 0.1
	3-35	8.3	17.5	8.7	7.2	5.9	15.3 \pm 0.2	10.5 \pm 0.1	2.8	9.3 \pm 0.1	15.3 \pm 0.2	3.1 \pm 0.1
5	10.15	18.2	9.05	8.55	4.9	16.2 \pm 0.2	13 \pm 0.1	2.7	12 \pm 0.1	16.2 \pm 0.2	3.1 \pm 0.1	
7	11.6	23.06	10.8	10.3	7.5	18 \pm 0.2	14.8 \pm 0.1	2.7	13 \pm 0.1	18 \pm 0.2	3.1 \pm 0.1	

Note: All dimensions are in mm.

Connector weights

Weight

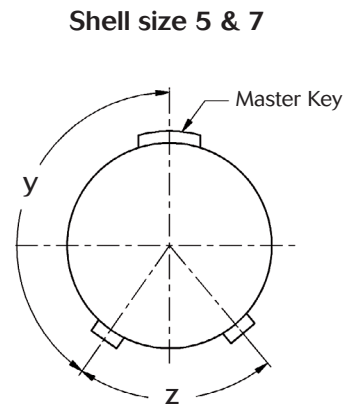
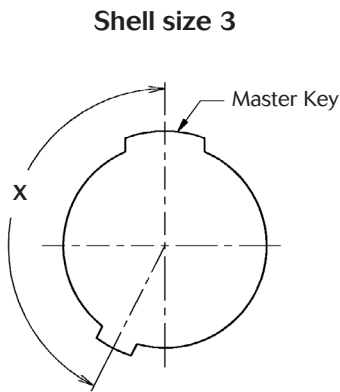
Aluminum version (in gram \pm 10 %)

Shell size & layout	Plug		Square flange receptacle	
	Without contacts	With contacts	Without contacts	With contacts
3-05	1.6	1.7	2	2.2
5-35	3	3.3	2.9	3.1
7-35	4.5	4.9	4.2	4.6

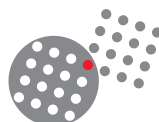


Orientations

Orientation - All shell types



Shell size	Angles	N	A	B	C	D	E
3	X°	153	51	102	204	255	306
5 & 7	y°	145	130	110	155	90	90
	Z°	75	120	120	115	115	180



SOURIAU
 Connection Technology

For further information contact us at contactmilaero@souriau.com
 or visit our web sites www.souriau.com & www.micro38999.com